

Euro-CMRK Programmable Sensor Custom Micro Rotary Puck



- Puck and magnet design
- Hall Effect non-contacting technology
- Long life - extremely robust
- Programmable angles from 30° up to 360°
- IP68 protection
- Redundant output
- Customisable housing



Based on the Euro-XPk the Euro-CMRK angle sensor is specifically aimed applications where miniaturisation is a key factor. The main sensor housing is manufactured from high grade aluminium alloy with an anodised finish and may be customised to exactly suit the application. The Euro-CMRK series' housing and magnet accessory dimensions are fully customisable dependant on customers' requirements. With redundant output this compact and fully non-contacting Hall Effect sensor features IP68 sealing and will suit arduous high-duty cycle position feedback applications.

Specifications



Mechanical	
Typical Life Cycle	In excess of 100 million cycles
Measuring range	360° redundant, signal 1 cw, signal 2 ccw
Housing	High grade anodised aluminium
Recommended Mounting Bolt Torque	0.5- 0.63 Nm (may differ dependant on application)
Environmental	
Operating temperature	-40°C to +125°C (Short term 150°C)
Vibration	5...2000 Hz; Amax = 0.75 mm; amax = 20g to IEC 60068-2-6
IP rating	IP68
Electrical	
Supply Voltage	5V +/- 0.5V
Output signal	Ratiometric 5%...95% of supply (+/-25mv of specified electrical output range for both start & end voltage) PWM frequency 100Hz... 1000Hz, 1000Hz default, duty cycle between 5%-95%
Independant linearity	+/- 0.5% of each signal range
Sample Rate (Fast Mode)	5 kHz
System Propagation Delay (Fast Mode)	600 µs
Isolation resistance	200 MΩ (500 VDC, 1 bar, 2s)
Electrical connection	See ordering code/wiring diagram
Cable type	Raychem Spec 55, 24 AWG

Ordering information

(Please use the characters in the chart below to construct your product code)

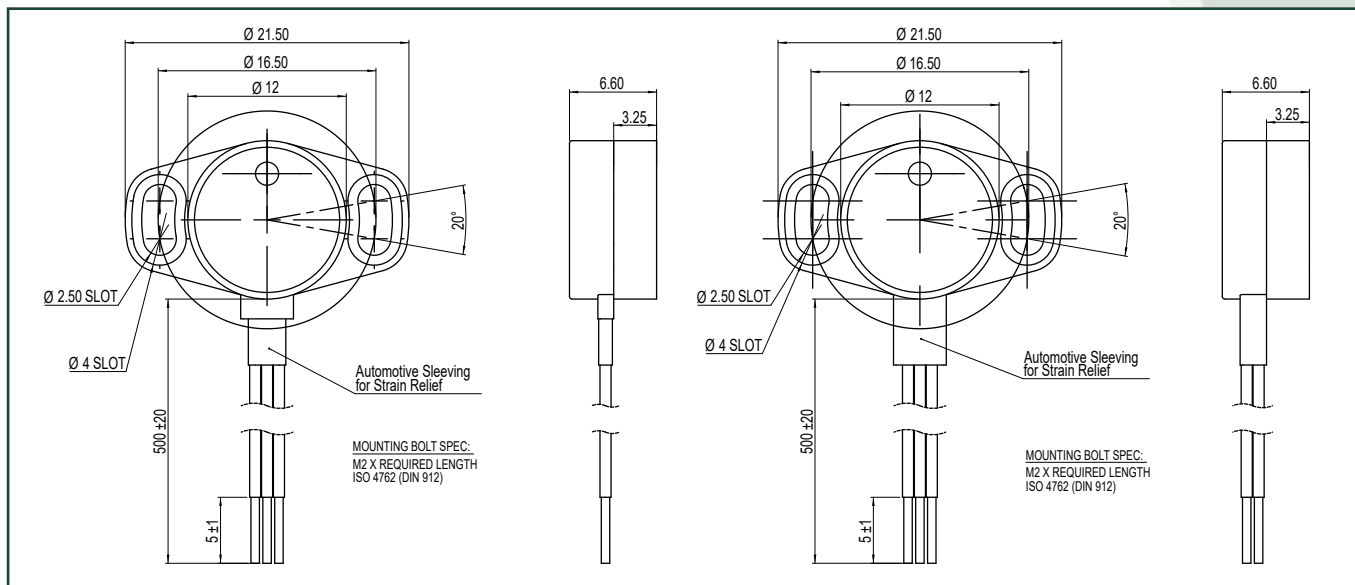
Euro-CMRK - X - 1 1 1 - 1216 - 360 - 11 78 - 50

Product Series Code	Accompanying Magnet	Input Type	Output Type	Number of Channels	Mounting Flange PCD	Electrical Angle	Output Signal	Channel Direction	Cable Length
(Euro-Custom Micro Rotary Puck)	<ul style="list-style-type: none"> • A - No magnet • B - 5x5x2 magnet • C - M4 magnet • D - Micro Plug magnet • E - M2 female magnet • X - Custom - on request 	<ul style="list-style-type: none"> • 1 - 5V Supply 	<ul style="list-style-type: none"> • 1 - Analog Ratiometric • 2 - PWM 	<ul style="list-style-type: none"> • 1 - Single Channel • 2 - Dual Channel 	<ul style="list-style-type: none"> • 16 - 16.5mm PCD • XX - Custom on request 	<ul style="list-style-type: none"> • 360 - Standard Electrical Angle 360° • Optional Angle from 30° to 360° in 1° steps (e.g. 181=181 °) 	<ul style="list-style-type: none"> • 1 - 5% to 95% of Input Voltage • 2 - 10% to 90% of Input Voltage • 3 - Custom on request e.g. 11 = 5 to 95% both channels 	<ul style="list-style-type: none"> • 7 - Clockwise • 8 - Counter Clockwise e.g. 77 = Clockwise both channels 	<ul style="list-style-type: none"> • 50 - Standard Cable Length 500mm • XX - Custom on request < 1 metre • XXX - Custom on request > 1 metre • (Standard Cable Raychem Spec 55, 24 AWG; Others available on request)

Disclaimer: Specifications listed are only applicable when used in conjunction with Variohm specified magnets.

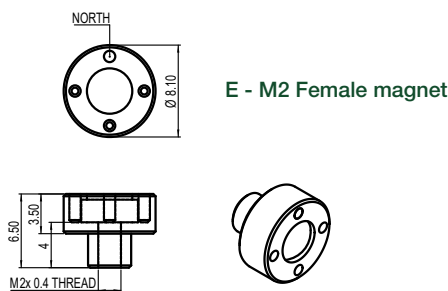
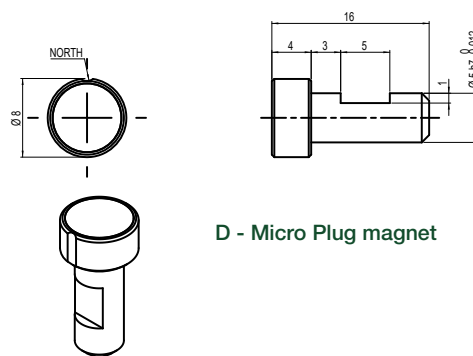
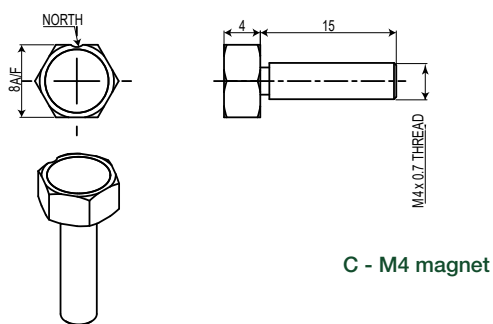
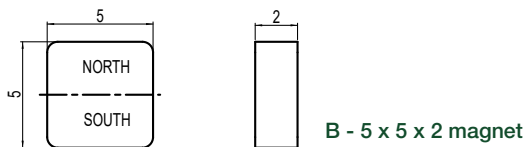


Euro-CMRK - dimensions in mm



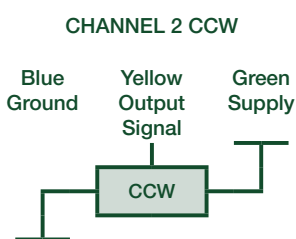
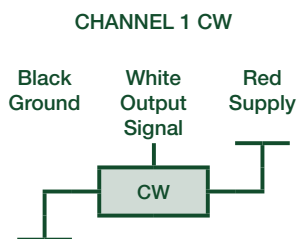
Magnet options - dimensions in mm

Magnet Code	Magnet Type	Distance from CMRK face
A	No magnet	
B	5x5x2 magnet	0.5 - 3 mm
C	M4 magnet	0.5 - 3 mm
D	Micro plug magnet	0.5 - 3 mm
E	M2 Female magnet	0.5 - 3 mm
X	Custom - on request	-



Note for magnets: Maximum permitted radial offset = +/- 0.75 mm

Wiring and orientation



ORIENTATION - midpoint of electrical travel shown

