

Barriere per bordo laterale su rilevato

Single sided guardrails



steel safety on roadways

Require Marcegaglia Buildtech full range of steel road safety barriers: from the **steel partner**, steel safety on roadways.

Marcegaglia Buildtech safety barriers solutions are part of Marcegaglia steel production chain and are engineered, assembled then **tested** in order to comply with specific **norm requirements**.

Certificazioni

Certifications - Zertifizierungen - Certifications - Certificaciones

- **RINA ISO 9001:2008** certificato N. 12370/05/S
- **IQNet - CISQ/RINA** Quality Management System **ISO 9001:2008** Registration N. IT-42009
- **Certificati CE** di costanza della prestazione

Crash tests

Crash tests - Crash-Tests - Essais de chocs - Crash tests



Classe H2 Bordo Laterale - Barriera PAB TE 2 onde singola su rilevato W5

Class H2 Roadside - 2-waves PAB TE single sided guardrail W5

Aufhaltestufe H2 für rammfähige Böden - 2-welliges PAB TE Rückhaltesystem W5

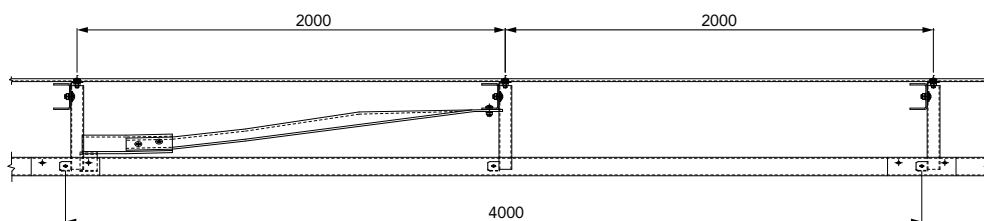
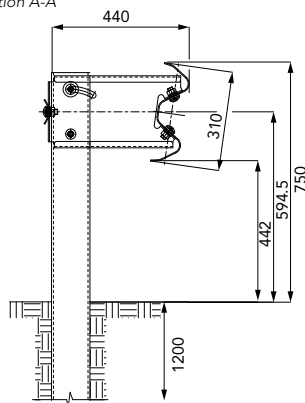
Classe H2 Bord latéral - Glissière PAB TE 2 crosses simple sur remblai W5

Clase H2 Borde lateral - Barrera PAB TE de doble onda simple sobre base terreno W5

H2-W5

PAB TE 2-waves

Sezione A-A
Section A-A



Caratteristiche Characteristics, Eigenschaften, Caractéristiques, Características

Altezza fuori terra Height above ground level, Höhe über Grundboden, Hauteur hors sol, Altura sobre el suelo	750 mm
Profondità d'infissione Depth of penetration, Rammtiefe, Profondeur de piling du poteau, Longitud hincada	1200 mm
Ingombro trasversale Overall width, Gesamtbreite, Grosseur hors tout, Anchura total	440 mm
Interasse pali Post spacing, Steherabstand, Distance entre poteaux, Distancia entre postes	2000 mm

Rapporti di prova Crash test reports, Testberichte, Comptes rendus d'essais, Relaciones de pruebas

Test n.	Facility	Test	Type	Barrier length m	Mass kg	Speed km/h	ASI max 1.4	THIV max 33 km/h	D m	Vi m	W m
PAB/BSI-04/494A	LIER	TB51	Laterale 20°	84,30	13.000	70	-	-	1,09	1,9	1,4=W5
PAB/BSI-03/493A	LIER	TB11	Laterale 20°	84,30	900	100	1=A	26	0,33	-	0,75=W2

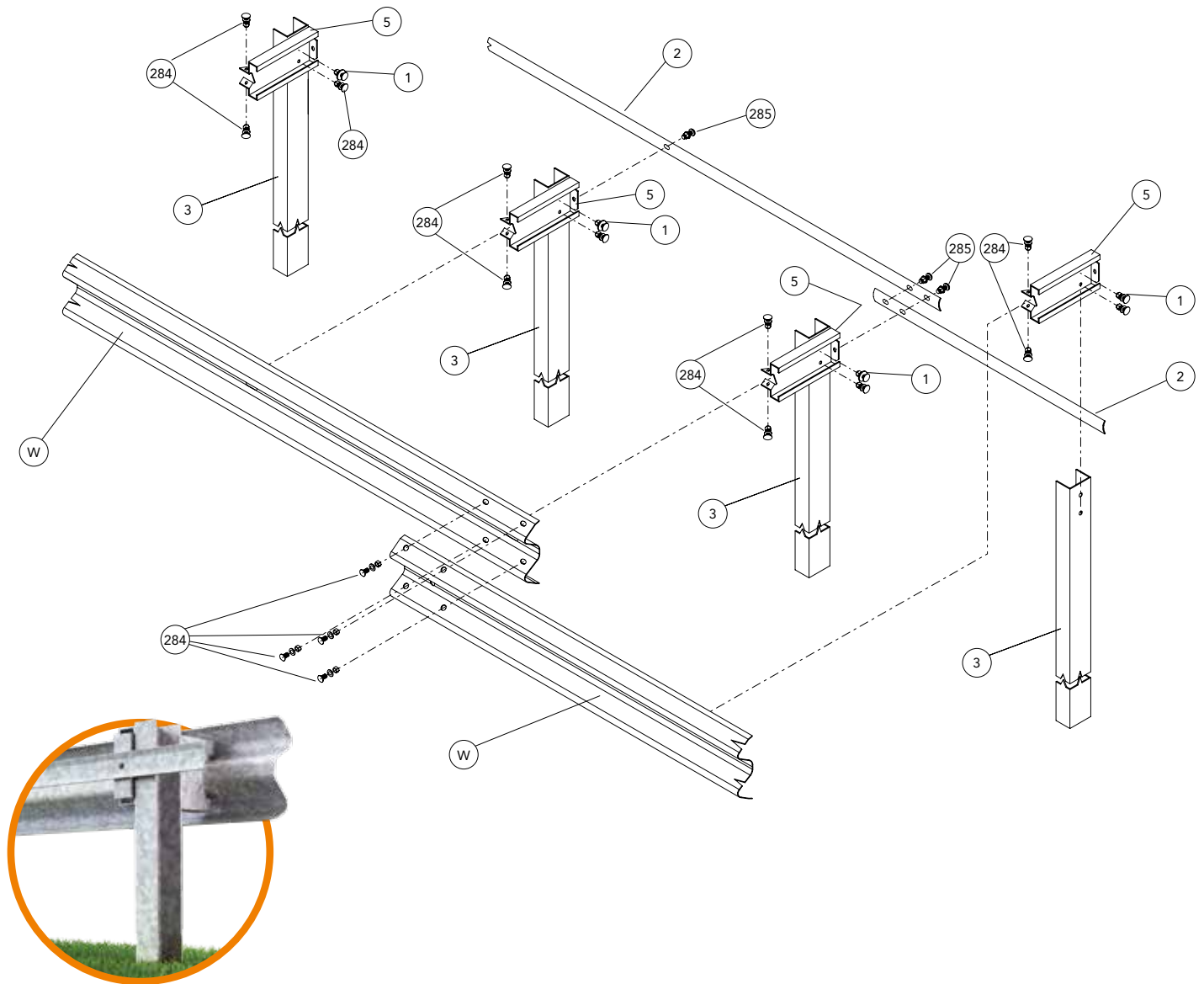
Sales office:

MARCEGAGLIA BUILDTECH guardrail division
 strada Roveri, 4
 15068 Pozzolo Formigaro, Alessandria - Italy
 phone +39 . 0143 77 61 • fax +39 . 0143 77 63 53

guardrail@marcegaglia.com
 www.marcegagliabuildtech.it

Plants:

MARCEGAGLIA BUILDTECH Pozzolo Formigaro
 strada Roveri, 4
 15068 Pozzolo Formigaro, Alessandria - Italy
 phone +39 . 0143 77 61 • fax +39 . 0143 77 63 53



Componenti Components, Bauteile, Composants, Elementos			
	Descrizione Description		Materiale Material
W	Fascia 2 onde 2-waves beam, 2-wellige Leitschiene, Glissière 2 crosses, Banda doble onda	486x4320 Th=3 mm	S 420 MC
3	Palo "U" U-post, U-Steher, Poteau en U, Poste "U"	120x80 Th=6 mm H=1920 mm	S 275 JR
5	Distanziatore Spacer, Abstandhalter, Entretoise, Separador	355x480 Th=4 mm	S 275 JR
2	Piatto di collegamento Connection plate, Anschlussplatte, Plaque de connexion, Platina de unión	80x4250x3 mm	S 420 MC
284	Bullone completo Bolt with nut and washer, Schraube komplett, Boulon complet, Tornillo completo con tuerca y arandela	M16x35 mm	Classe 8.8
285	Bullone completo Bolt with nut and washer, Schraube komplett, Boulon complet, Tornillo completo con tuerca y arandela	M16x40 mm	Classe 8.8
1	Rondella Washer, Unterlegscheibe, Rondelle, Arandela	18x48 mm	Acc. Zinc.