

Barriere per bordo ponte

Guardrails for bridge



steel safety on roadways

Require Marcegaglia Buildtech full range of steel road safety barriers: from the **steel partner**, steel safety on roadways.

Marcegaglia Buildtech safety barriers solutions are part of Marcegaglia steel production chain and are engineered, assembled then **tested** in order to comply with specific **norm requirements**.

Certificazioni

Certifications - Zertifizierungen - Certifications - Certificaciones

- **RINA ISO 9001:2008** certificato N. 12370/05/S
- **IQNet - CISQ/RINA** Quality Management System **ISO 9001:2008** Registration N. IT-42009
- **Certificati CE** di costanza della prestazione

Crash tests

Crash tests - Crash-Tests - Essais de chocs - Crash tests



Classe H2 Bordo Ponte Barriera PAB CE P 2 onde per manufatto W5 con corrimano

Class H2 Bridge side - 2-waves PAB CE P guardrail for bridge W5 with handrail

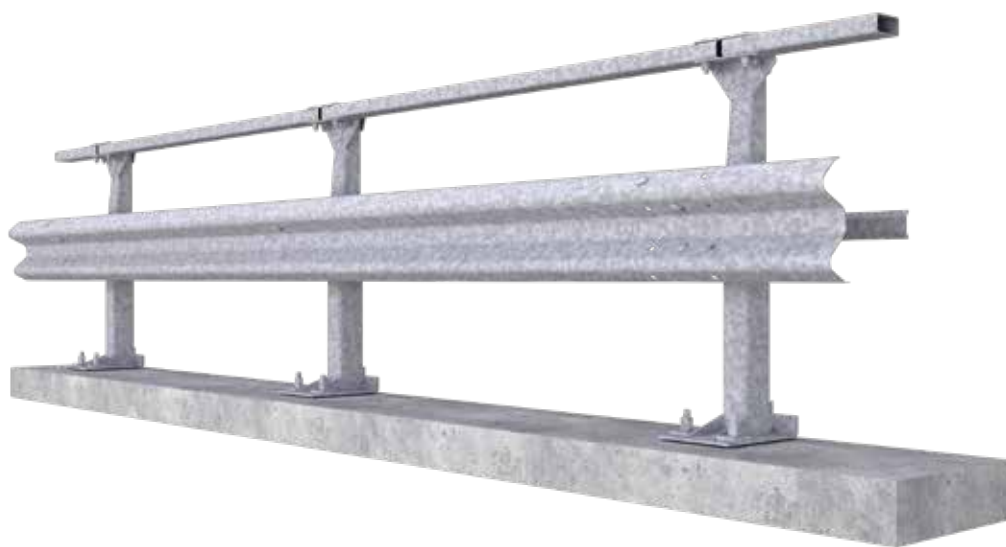
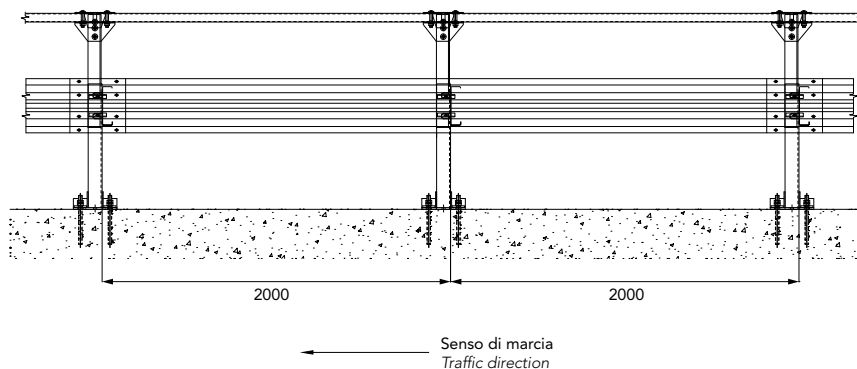
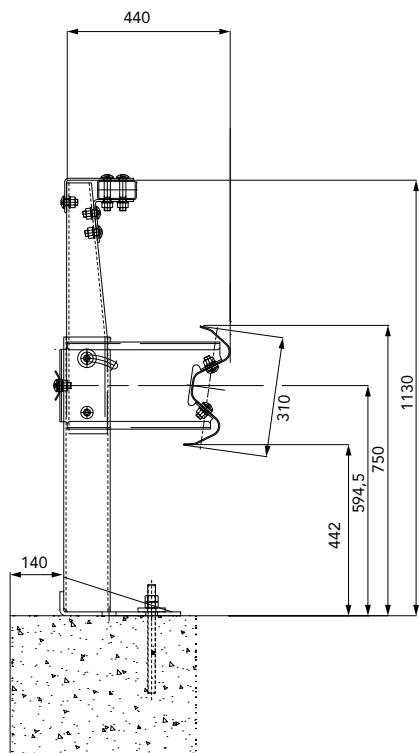
Aufhaltestufe H2 für Kunstbauten - 2-welliges PAB CE P Rückhaltesystem W5 mit Handgeländer

Classe H2 Bord pont - Glissière PAB CE P 2 crosses simple pour pont W5 avec rambarde

Clase H2 Borde de puente - Barrera PAB CE P de doble onda simple para base puente W5 con pasamanos

H2-W5

PAB CE P 2-waves



Caratteristiche Characteristics, Eigenschaften, Caractéristiques, Características

Altezza fuori terra Height above ground level, Höhe über Grundboden, Hauteur hors sol, Altura sobre el suelo	1130 mm
Profondità d'infissione tirafondi Depth of penetration, Rammtiefe, Profondeur de piling du poteau, Longitud hincada	200 mm
Ingombro trasversale Overall width, Gesamtbreite, Grosseur hors tout, Anchura total	440 mm
Interasse pali Post spacing, Steherabstand, Distance entre poteaux, Distancia entre postes	2000 mm

Rapporti di prova Crash test reports, Testberichte, Comptes rendus d'essais, Relaciones de pruebas

Test n.	Facility	Test	Type	Barrier length m	Mass kg	Speed km/h	ASI max 1.4	THIV max 33 km/h	D m	Vi m	W m
PAB/BPM004/1238	LIER	TB51	Laterale 20°	84	13.000	70	-	-	1,9	1,9	1,4=W5
PAB/BPM002/1236	LIER	TB11	Laterale 20°	84	900	100	1,1=B	27	0,3	-	0,7=W2

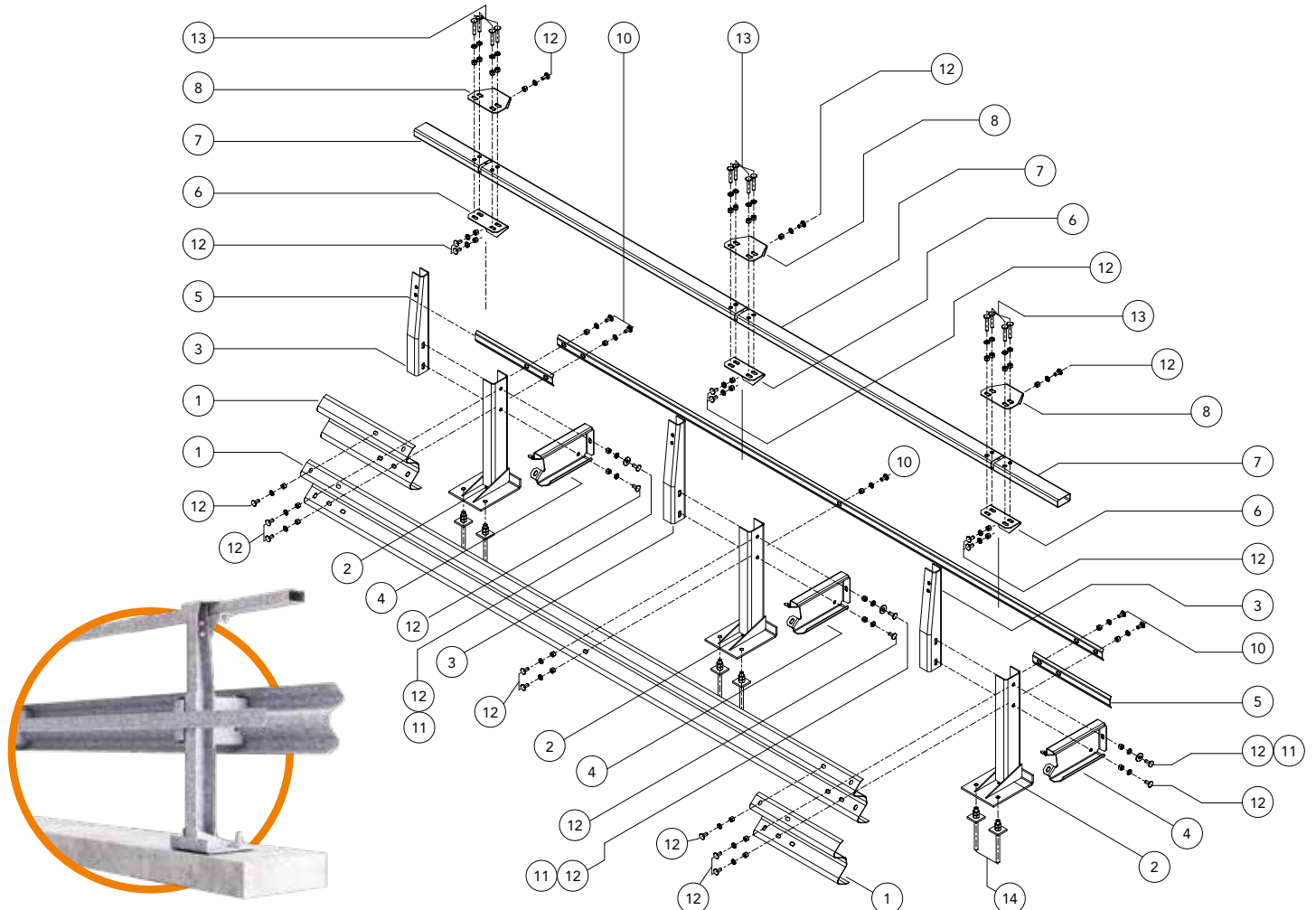
Sales office:

MARCEGAGLIA BUILDTECH guardrail division
 strada Roveri, 4
 15068 Pozzolo Formigaro, Alessandria - Italy
 phone +39 . 0143 77 61 • fax +39 . 0143 77 63 53

guardrail@marcegaglia.com
 www.marcegagliabuildtech.it

Plants:

MARCEGAGLIA BUILDTECH Pozzolo Formigaro
 strada Roveri, 4
 15068 Pozzolo Formigaro, Alessandria - Italy
 phone +39 . 0143 77 61 • fax +39 . 0143 77 63 53



Componenti Components, Bauteile, Composants, Elementos

	Descrizione Description		Materiale Material
14	Tirafondo + dadi + 1 rondella Anchor bolt + nuts + 1 washer, Verbundklebeankerschraube + Mütter + 1 Unterlegscheibe, Tire-fond + écrous + 1 rondelle, Varilla Roscada + tuercas + 1 arandela	M20x280 mm	Classe 8.8
11	Rosetta Washer, Unterlegscheibe, Rondelle, Arandela	18x48 mm	Acc. Zinc.
13	Bullone completo Bolt with nut and washer, Schraube komplett, Boulon complet, Tornillo completo con tuerca y arandela	M16x85 mm	Classe 8.8
12		M16x35 mm	Classe 8.8
10		M16x40 mm	Classe 8.8
8	Attacco esterno tubo superiore External joint of upper tube, äussere verbindungsplatte oberes handlaufrohr, attache extérieure du tube supérieur, ataque externo del tubo superior		S 275 JR
7	Tubo superiore Upper tube, oberes handlaufrohr, tube supérieur, tubo superior	100x50 Th=3 mm L= 1980 mm	S 275 JR
6	Attacco interno tubo superiore Internal joint of upper tube, Innere verbindungsplatte oberes handlaufrohr, Attache intérieure du tube supérieur, Ataque interno del tubo superior		S 275 JR
5	Piatto di collegamento Connection plate, Anschlussplatte, Plaque de connexion, Platina de unión	80x4250x3 mm	S 420 MC
4	Distanziatore Spacer, Abstandhalter, Entretoise, Separador	355x480x4 mm	S 275 JR
3	Paletto superiore Upper pole, oberer steher, piquet supérieure, pestillo superior		S 275 JR
2	Palo "U" con piastra U-post with base plate, U-Steher mit Grundplatte, Poteau en U avec plaque, Poste "U" con placa	120x80 Th=6 mm	S 275 JR
1	Fascia 2 onde 2-waves beam, 2-wellige Leitschiene, Glissière 2 crosses, Banda doble onda	486x4320 mm Th=3 mm	S 420 MC