



650ZIP

230 V electromechanical gate operator. Maximum gate leaf 3,5 m.



Accessories for ZIP series
Page 118



Further accessories:
Transmitters page 234
Photocells page 239
Flashing lights page 242

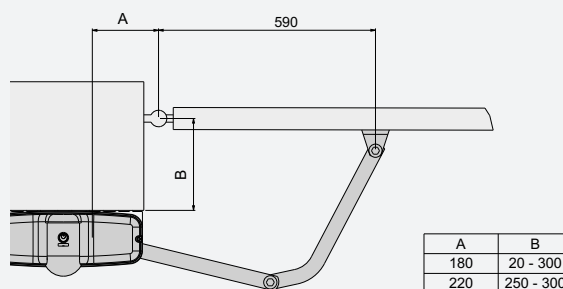
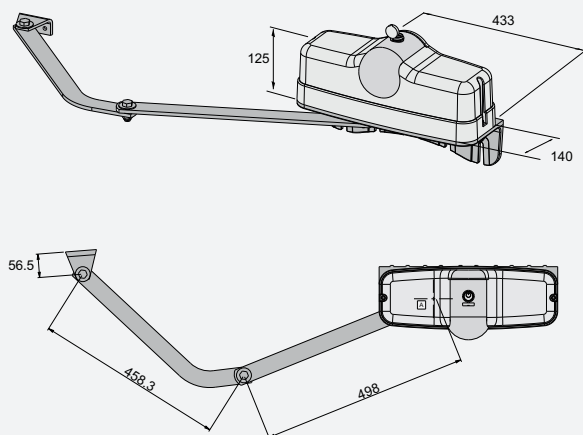
FEATURES:

- residential/industrial use
- for gates leaves up to 3,5 m
- 230 V gate operator
- electromechanical motor
- built-in electrical limit switches
- external cable release, as standard

PROS:

- easy and intuitive installation
- ideal for big posts
- high torque and power

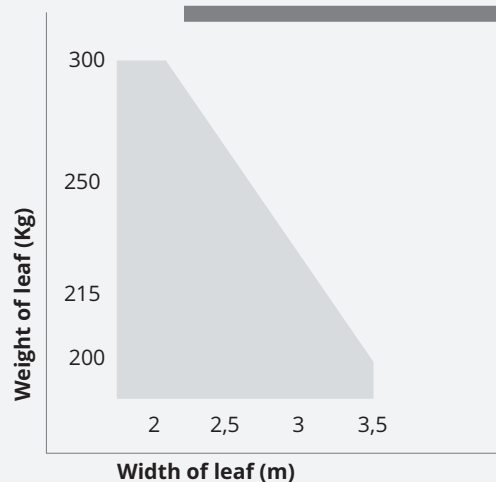
TECHNICAL DRAWINGS



Technical features

	ZIP
Power supply	230 V AC (50 - 60 Hz)
Motor power supply	230 V AC
Open circuit voltage	1 A
Power rating	190 W
Opening time 90°	13 s
Duty cycle	50 %
Operating temperature	-20° C ÷ +55° C
Motor thermal protection	150° C
Degree of protection IP	IP 44

LIMIT TO USE



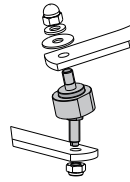
*They refer to leaves with openings and not totally closed panels.

ACCESSORIES

COMMON ACCESSORIES



650BRCE2
Straight arm with driving track



150KITBAI
Zip arm joint for sloping doors



700BAP1
Gate stopper for light leaves



650ESV1-2
Vertical electric lock recommended for leaves longer than 3 m (1=LEFT - 2=RIGHT)



700BAP2
Gate stopper wall/floor mount



700BAP
Gate stopper for heavy leaves



900VLED
Low voltage 12-18-24 Volt white led flashing light



C-TARG
Aluminium CE Mark Label, self adhesive



900OPTIC
Set of infrared safety photocells, 12/24 V, surface mount, beam alignment adjustable up to 15°, up to 20 m range



250T-CONNECT NEW
Ethernet + Wi-Fi device - to enable through Tau Open application, the use of the smartphone remotely, to open/close and check the status of the gate



900TOWERF
Photocell standard mounting post, painted aluminium, 49 cm, with removable cover for easy installation and photocell adjustment



250T-WIFI
Device for Wi-Fi connection 2,4 GHz to allow the smartphone to remotely control and program the control units via TauApp



750CUP
Control unit enclosure protective lid



250SM126
Memory card for 126 radio codes



750COL
Control unit mounting post

250SM254
Memory card for 254 radio codes

250SM1022
Memory card for 1022 radio codes




12/18/24 VOLT ACCESSORIES



750D749MA
Electronic control unit for one or two DC gate operators with encoder, complete with 433,92 MHz rolling code radio receiver, battery charger, transformer and enclosure



M-030000CC50
Multicore cable (2 x 2.5 sq.mm + 3 x 0.5 sq.mm)

 Use only M-030000CC50 cable or equivalent



200BATT
12 Volt Battery, 7,2 Ah



M-030KITKB20
Battery cables kit (20 pcs)

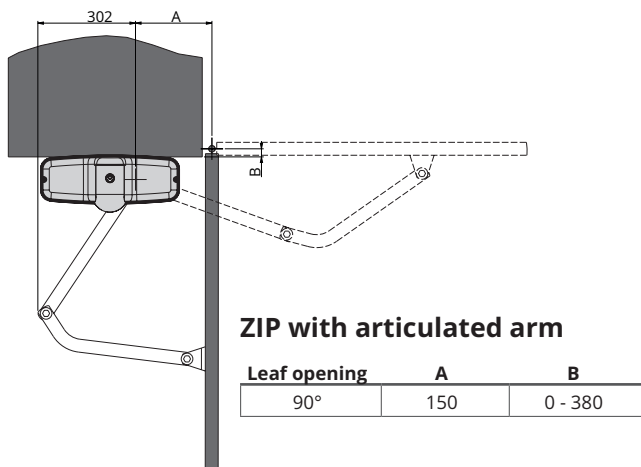
230 VOLT ACCESSORIES



750D770M
Electronic control unit for one or two 230 V gate operators with soft-stop and built-in 433,92 MHz rolling code radio receiver, complete with enclosure

INSTALLATION SIZES (MM)

ZIP - Installation (mm)



BRCE2 - Installation (mm)

