

**MU-1602 / 3202**  
**MU-1603 / 3203**  
**MU-1604 / 3204**

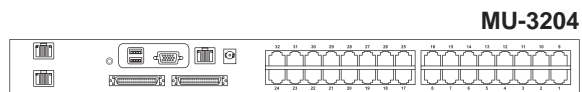
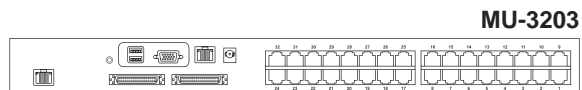
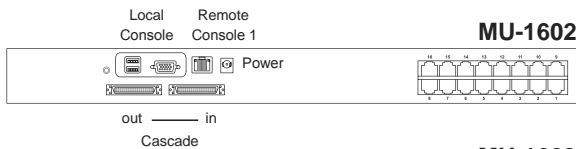


### Matrix Cat6 KVM Benefits

- ▶ Efficient system management with simultaneous multi-user access
- ▶ Capable of connecting 32 or 16 servers per device in 1U
- ▶ Support DVI-USB, VGA-USB & VGA-PS/2 server interface
- ▶ Increased distance of 40m between your server & KVM
- ▶ Enhanced Cat6 cable management with remote access up to 150m

### Switch Features & Options

- Provide a diversity of console to access servers independently and simultaneously
- Use of the RJ45 Cat6 interface allows for a higher number of ports in smaller density
- Greater distances between your switch and servers allow enhanced data center rack layouts
- Multi lingual on screen display menu
- Advanced user profiles and configurable OSD hot key combinations



### Ordering Information

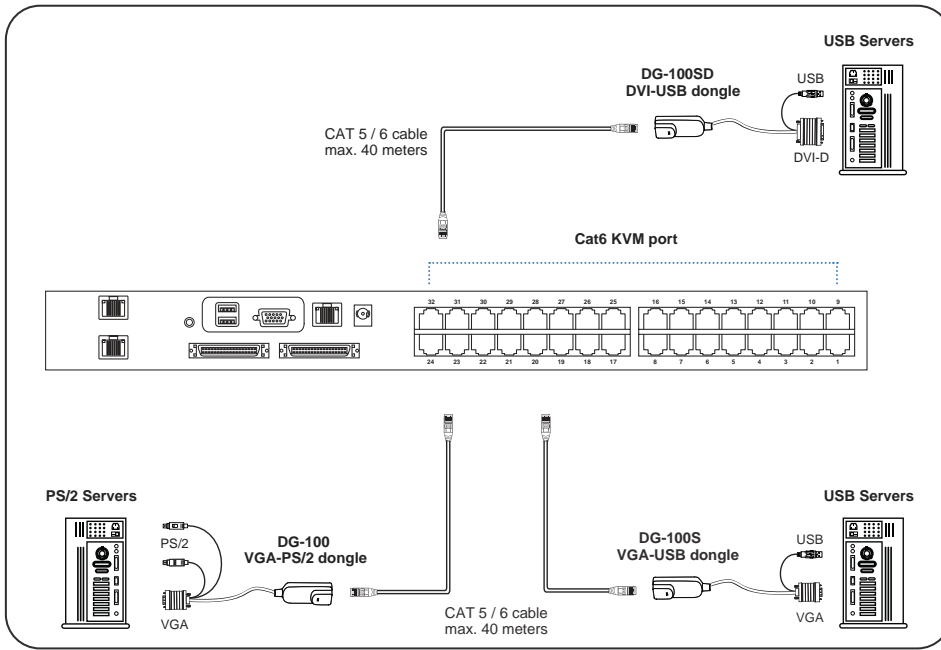
Console	Local	Remote	IP	16-port	32-port
2	1	1	0	<b>MU-1602</b>	<b>MU-3202</b>
3	1	2	0	<b>MU-1603</b>	<b>MU-3203</b>
4	1	3	0	<b>MU-1604</b>	<b>MU-3204</b>

### KVM Specification

<b>■ KVM Port</b> Number of ports: 16 or 32 Connector: RJ-45 Connectivity: DVI-D / VGA connector dongle up to 40 meters (132 feet) via Cat6 / Cat5 cable
<b>■ Local Console</b> Monitor port: 1 x DB15-pin VGA, up to 1600 x 1200 Keyboard & mouse port: 2 x USB type connector for keyboard & mouse Resolution support: 4:3 - max. 1600 x 1200 16:10 - max. 1440 x 900
<b>■ Cat6 Remote Console</b> Number of remote port: 1 for MU-1602 / MU-3202 2 for MU-1603 / MU-3203 3 for MU-1624 / MU-3204 Monitor port: DB15-pin VGA, up to 1600 x 1200 Keyboard & mouse port: 2 x USB type connector for keyboard & mouse Remote I/O: RJ45 via Cat5 / Cat5e / Cat6 cable up to 500 feet Resolution support: 4:3 - max. 1600 x 1200 16:10 - max. 1440 x 900
<b>■ Expansion:</b> Up to 256 servers by 8-level cascade

<b>■ Compatibility</b> Multi-platform: Mix PCs, SUN and Mac G3 / G4 Mac / iMac Support: Windows 7 / Vista / 2003 / XP, Linux, Unix
<b>■ Power</b> Input: AC power adapter Consumption: Max. 48 Watt, Standby 5 Watt
<b>■ Regulatory :</b> Safety: cUL, FCC & CE certified Environment: RoHS2 & REACH compliant
<b>■ Environmental</b> Operating: 0 to 50°C Storage: -5 to 60°C Relative humidity: 90%, non-condensing Shock: 50G peak acceleration (11ms, half-sine wave) Vibration: 58~100Hz / 0.98G (11ms / cycle)
<b>■ Product Information</b> Dimension (W x D x H): 443 x 171 x 44 mm / 17.4 x 6.7 x 1.73 inch Net weight: 3 kg / 6.5 lb
<b>■ Packing Information</b> Dimension (W x D x H): 500 x 400 x 90 mm / 19.7 x 15.7 x 3.5 inch Gross weight: 5 kg / 11 lb

## KVM port & Cat6 dongle connection



### DG-100SD DVI-USB dongle

- To connect DVI-D connector to the computer's video card
- To connect USB connector to the computer's USB port



### DG-100S VGA-USB dongle

- To connect DB-15 connector to the computer's video card
- To connect USB connector to the computer's USB port



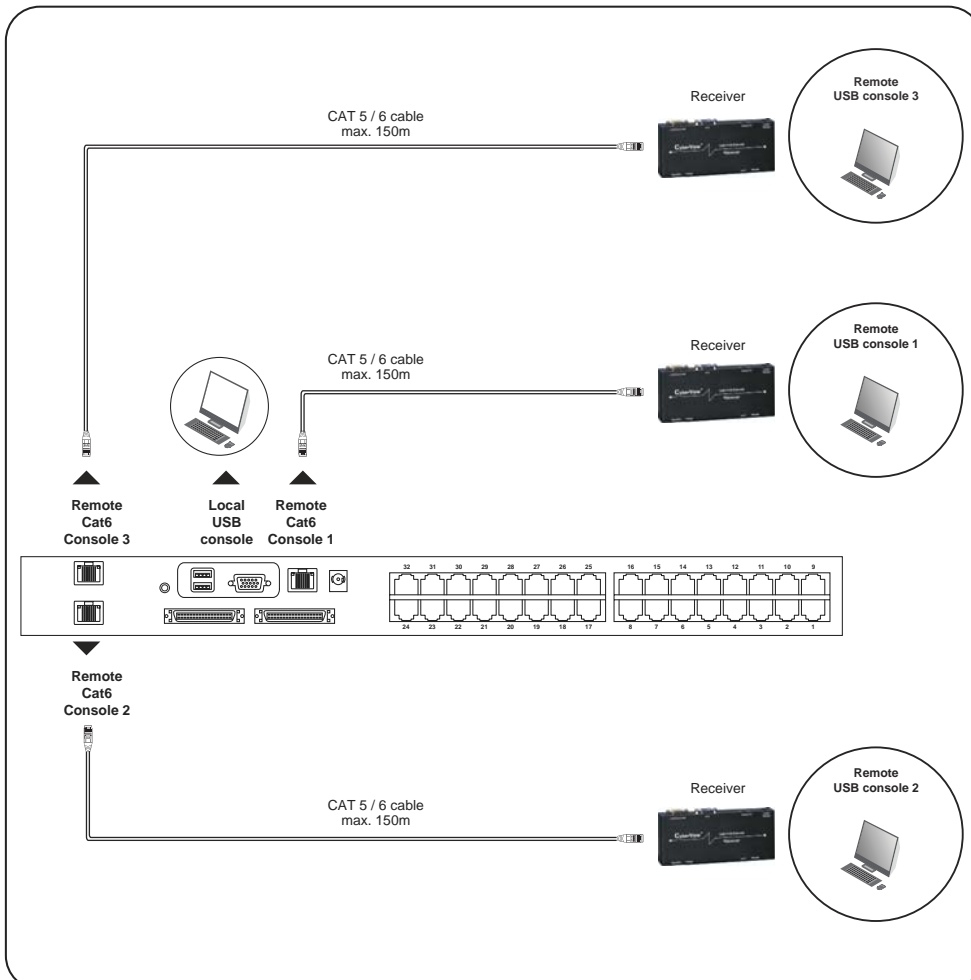
### DG-100 VGA-PS/2 dongle

- To connect DB-15 connector to the computer's video card
- To connect PS/2 keyboard connector to the computer's keyboard port
- To connect PS/2 mouse connector to the computer's mouse port

Cat6 Dongle	EDID Resolution Hard-coded	Resolutions Capable			
		4:3			16:10
		1024 x 768	1280 x 1024	1600 x 1200	1440 x 900
DG-100	1600 x 1200	✓	✓	✓	✓*
DG-100S	1600 x 1200	✓	✓	✓	✓*
DG-100SD	1280 x 1024	✓	✓	✗	✗

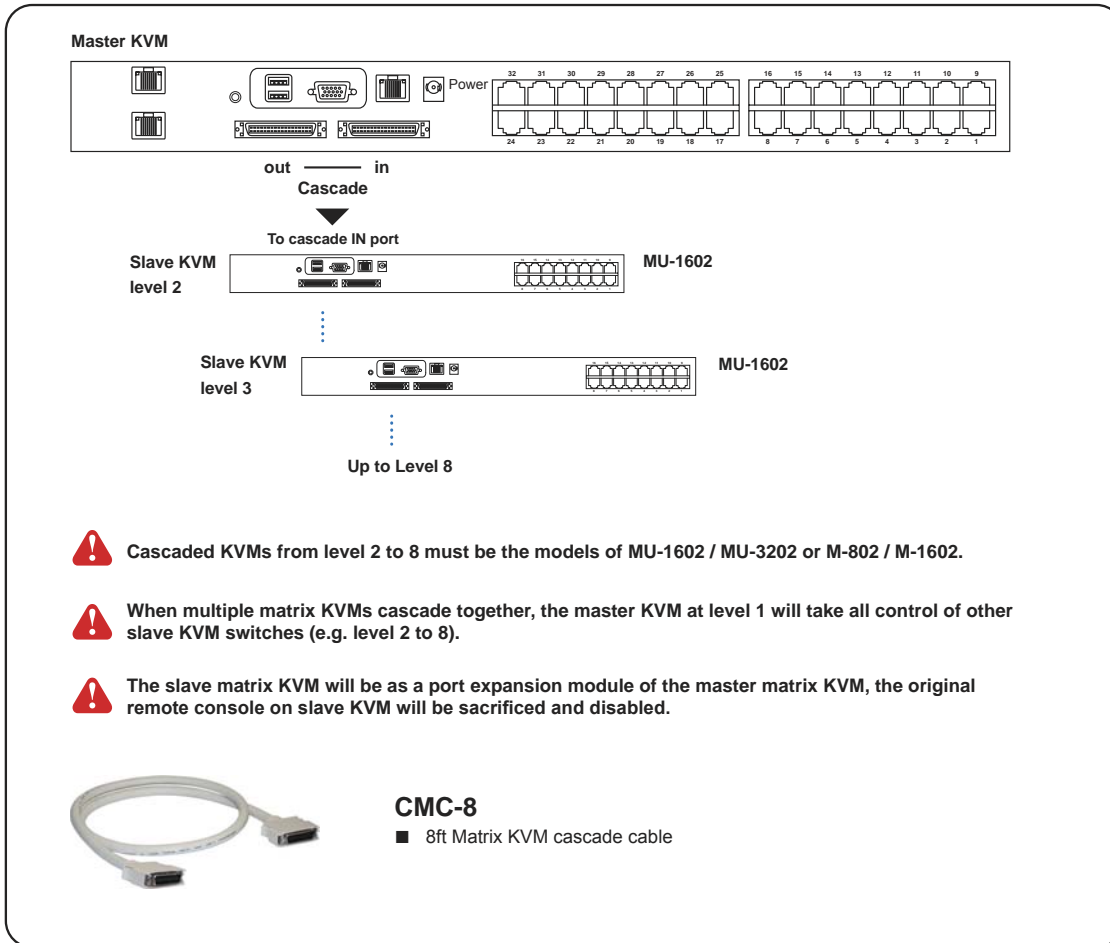
\* Requires the user to enable showing unsupported resolutions via the target computer's video adapter settings (effectively ignoring the DDC / EDID)

## Local console & remote console connection



## KVM Cascade

- Cascade up to 8 levels, 256 servers
- Cascading multiple KVM with CMC-8 cascade cable.



⚠ For detailed product specifications and options, please download the user manual from the link below : [www.austin-hughes.com/support/usermanual/cyberview/UM-CV-MUKVM.pdf](http://www.austin-hughes.com/support/usermanual/cyberview/UM-CV-MUKVM.pdf)