

# Senses 1110



## Features

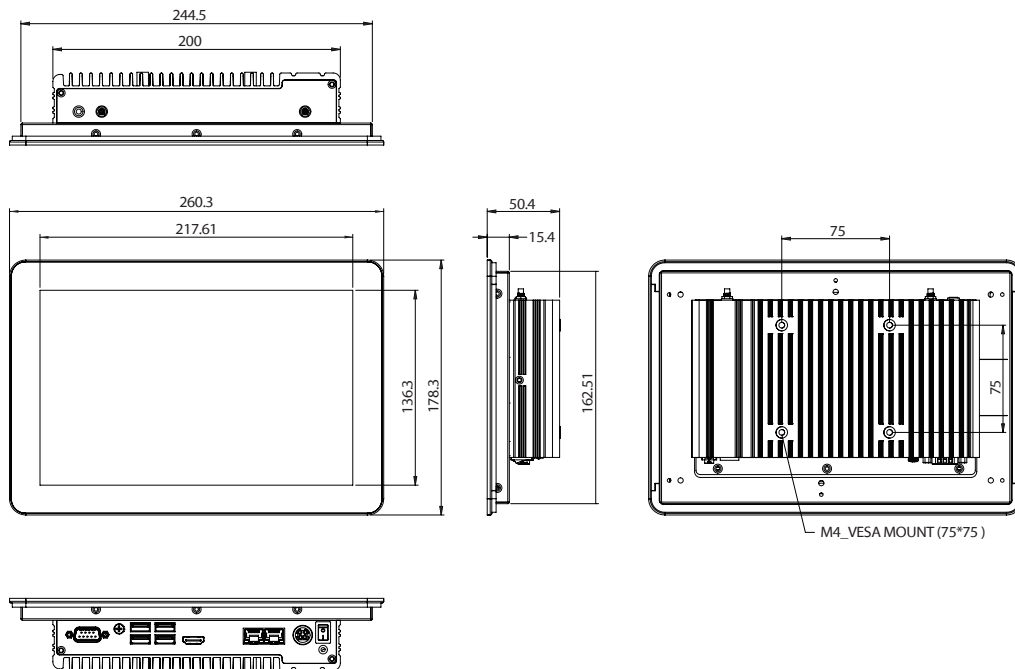
The Senses 1110 is a fanless Industrial Panel PC utilising the Intel's superb Tiger lake processor and provides a 10.1" TFT LCD touchscreen and an IP65 rated front panel.

Features:

- Projective Capacitive front panel
- P65 Front panel
- VESA/Wall/Panel mountable
- Optional Wi-Fi

Each Industrial Panel PC comes with a 2 year warranty.

## Dimensions



# Senses 1110

## Specifications

The information is believed to be accurate. However Amplicon Liveline Limited accepts no responsibility for any problems caused by errors and omissions. Specifications are subject to change without notice.

<b>Hardware specification</b>	<p>Onboard 11th Generation Intel® Core™ i3-1115G4E processor, dual core, 2.2 GHz base frequency, 6M cache (formerly Tiger Lake-UP3 ) Intel® UHD graphics 630 on i3 processor</p> <p>Onboard 11th Generation Intel® Core™ i5-1145G7E processor, dual core, 1.5 GHz base frequency, 8M cache (by request) Intel® Iris® Xe graphics on i5 processor</p> <p>Main Memory: 8GB DDR4 2133MHz (max 32GB )</p> <p>Video: Intel® UHD graphics 630 on i3 processor Intel® Iris® Xe graphics on i5 processor</p> <p>LAN: Dual GbE Intel Ethernet controllers Optional WLAN</p>	<b>Mechanical</b>	<p>Shock - IEC 60068-2-27 - 50g peak acceleration (11 msec. duration)</p> <p>System: 240.3mm x 178.3mm x 50.4mm System weight: 2.0 kg</p> <p>Package: 335mm x 302mm x 160mm Package weight: 3 kg</p>
<b>BIOS</b>	AMI	<b>Environmental</b>	<p>Temperature: Operating: 0°C to 50°C Storage: -20°C to 60°</p> <p>Operating humidity: 10% to 90% relative humidity, non-condensing limits to be at 90%</p>
<b>Storage</b>	1 x M.2 2280 Key M, support PCIe x4	<b>Power supply</b>	1 x External 60W AC/DC power adapter with lock (power adapter is included in accessory) Input: 100VAC to 240VAC Output: DC+12VDC
<b>Display</b>	Display type: 10.1" TFT LCD Resolution (16:10): 1280 x 800 Brightness (cd/m): 400nits	<b>Certification</b>	CE / UKCA
<b>System expansion</b>	1 x M.2 2230 Key E, support optional Wi-Fi modules		
<b>Supported OS (Operating System)</b>	Windows 10 IoT 64-bit Linux  (If your desired operating system is not listed, please contact us.)		
<b>External Interfaces</b>	2 x Antenna hole 1 x RS232/422/485 2 x RJ45 Intel® Gigabit LAN port 1 x HDMI 2.0 4 x USB 3.0 1 x Line out 1 x 12VDC jack		
<b>LEDs and switches (bottom)</b>	LED for power on/off Power switch		