

TraçaMatrix

Marquage - gravure - identification
personnalisation - traçabilité

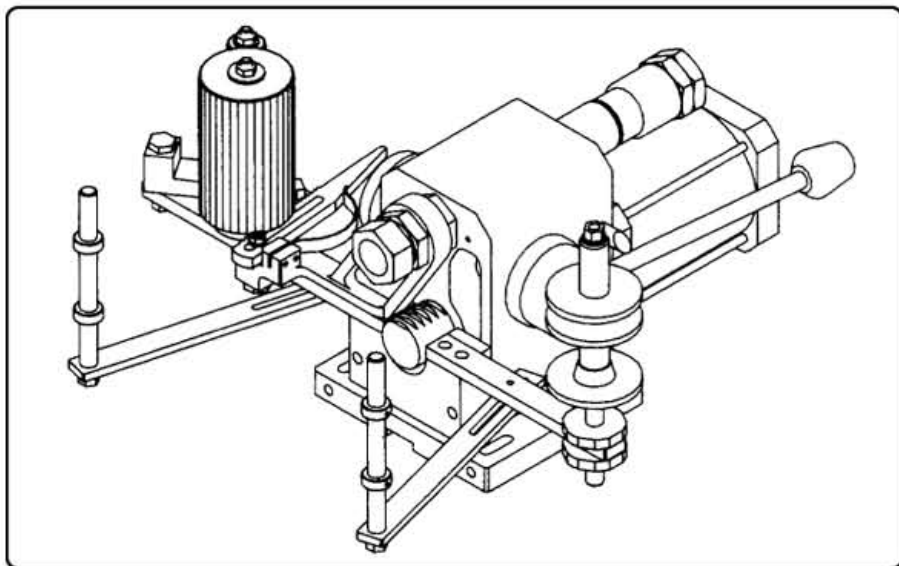
Unité de marquage à chaud pneumatique S2 UC avec transfert de film

Data sheet
Hot marking
unit with
coloured foil
S 2 UC

Sound levels
according to
ISO 3746

LwA sound power level
dB (A) : 72

LpA sound pressure level
at control post dB (A) : 72



Toolholder and collet bore	Ø 27 mm
Max rack stroke	75 mm
Operating pressure	6 bar
Weight	22 kg
Cylinder bore	95 mm
Rack	Ø 36 mm
Max foil feed	80 mm
Air consumption for 10 mm stroke (dm³)	thrust = 0.471 traction = 0.420
Thrust at 6 bar	470 kg
Electrical supply	220 V
Power	300 W
Temperature, adjustable	0 to 350°C

TraçaMatrix

178, rue du Pallon - 54530 ARNAVILLE

Tél. : 06 10 97 61 76 - Fax : 03 68 38 06 38

E-mail : info@tracamatrix.com

Site Web : www.tracamatrix.com



