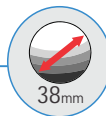


38 MM "SCROLL & ROLL" TRACKBALL WITH SCROLL WHEEL

waterproof IP68 sealed

SCROLL&ROLL



The MTSX38 "Scroll&Roll" trackball is the worlds' first waterproof trackball with integrated IP68 scroll wheel. Easy scrolling & rolling throughout your applications, even in the harshest of environments.

It's equipped with a waterproof 38 mm laser trackball. A removable top ring facilitates the cleaning of ball and ball compartment for use in even the most dusty environments. The use of stainless steel for the various parts ensures the best resistance in salty or greasy environments. Due to its outstanding sealing, its professional style and its industrial robustness, these trackball units are the best suited pointing device for all harsh or hostile environments, indoor and outdoor.

These panel mount types are available with panel mount studs or with holes (for countersunk M4 screw). Furtheron you can choose for a blank or matt blackened carrier plate. A silicone sponge gasket is included with the module to ensure adequate sealing into the customers' panel or console and a cover plate on the rear side protects the components. This series is directly plug compatible to PS/2 or USB ports and offers very straight forward mounting and integration.

- IP68 scroll wheel with click function
- 38 mm removable ball
- compact design
- easy maintenance



GENERAL TECHNICAL SPECIFICATIONS

Sealing	: IP68 waterproof
Carrier plate	: Stainless steel
Ball diameter	: 38,1 mm
Ball material	: polyester
Dimensions	: 100 x 116 x 40 mm
Weight	: 0,5 kg
Lifetime trackballs	: >= 2 million ball revolutions
Lifetime scroll wheel	: 1 million operations
Lifetime switches	: 3 million operations
Tracking force	: nom. 50 grams
Output	: PS/2 & USB Combo
Cable	: 1 shielded, straight 1,6 m long
Operating temperatur	: 0°C to +60°C
Storage temperature	: -25°C to +80°C

CE

Compliant to EMC Directive 89/336/EEC for Electromagnetic Compatibility.
Low Voltage Directive 73/23/EEC not applicable for our trackballs.

CONNECTIVITY

Combo PS/2 & USB trackball units are supplied with a 1,6 meter long shielded straight cable ended by a USB type A plug. An adaptor to PS/2 is added. No special device driver is needed, use standard available drivers of your operating system.

* Due to the increasing differences of the PS/2 mouse port specifications of the various PC manufacturers, we do recommend that this unit should be tested on the final PC configuration and operating system prior to installing it in series.

ORDER INFO

version with panel mount studs

MTSX38F8 blank topplate

MTSX38F8-BT1 black topplate

combo PS/2 & USB output



version with panel mount holes

MTSX38N8 blank topplate

MTSX38N8-BT1 black topplate

combo PS/2 & USB output

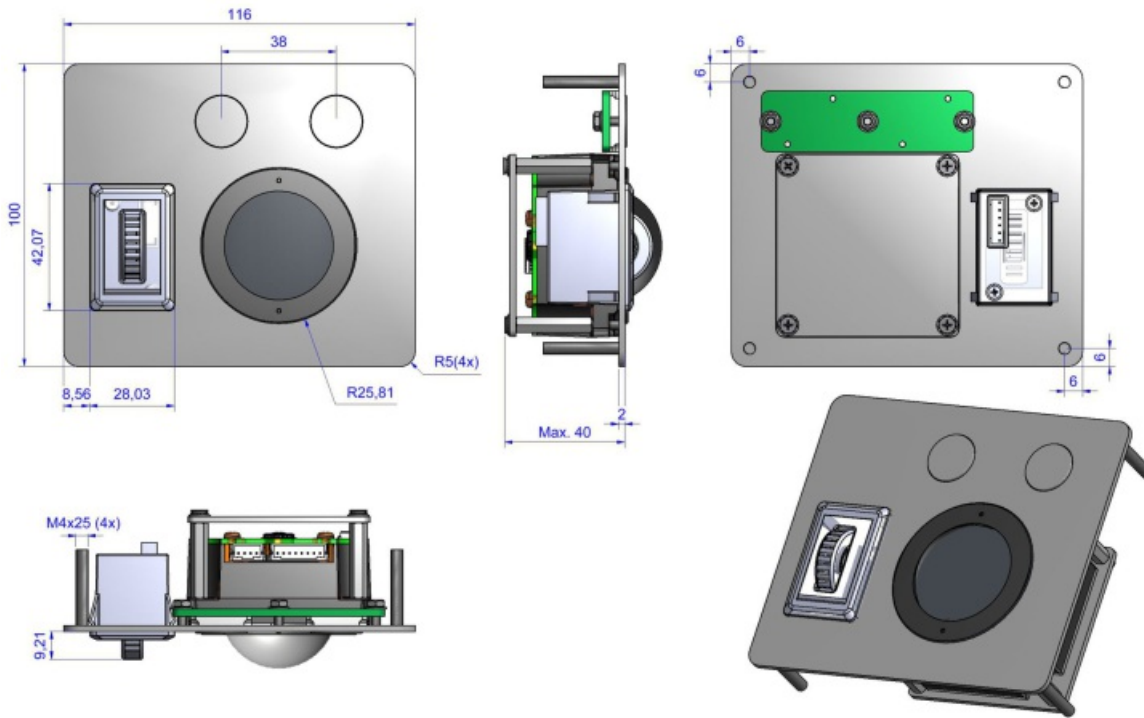


VER. 1.1

38 MM "SCROLL & ROLL" TRACKBALL WITH SCROLL WHEEL
waterproof IP68 sealed

DIMENSIONAL DRAWING

Panel mount version with studs



Panel mount version with holes

