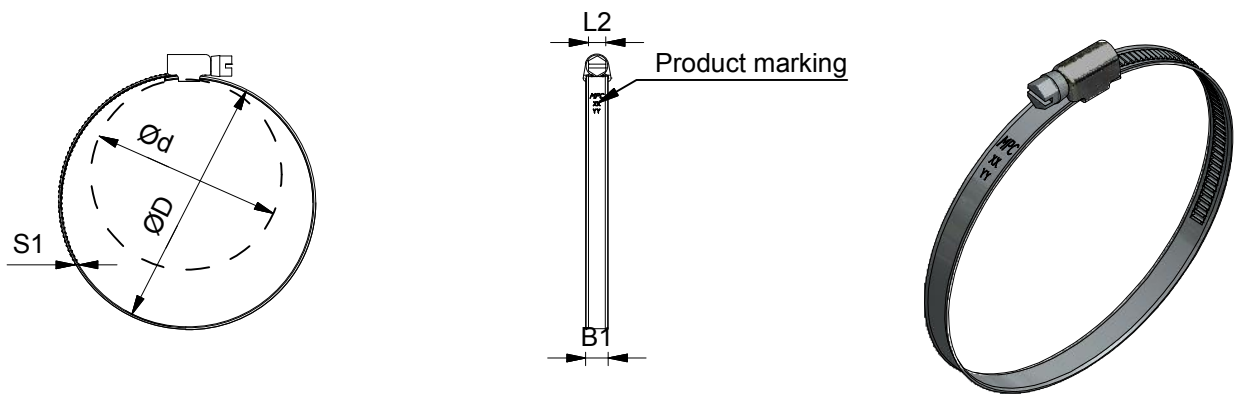


MPC TYPE "D"



SIZES

clamp size minimum:	clamp size maximum:	Band width:	Band Thickness S1	Hexagon head Screw L2	Tightening Torque:	Braking Torque:
d	D	B1	0,5 till 1mm	L2	AD* in Nm	PD**
8	12	9	W2 W4 W5	7	3,0 Nm	4,0 Nm
8	16	9	W2; W4; W5	7	3,0 Nm	4,0 Nm
9	14	9	W2	7	3,0 Nm	4,0 Nm
10	16	9	W2 W4 W5	7	3,0 Nm	4,0 Nm
12	22	9	W2	7	3,0 Nm	4,0 Nm
12	20	9	W2 W4 W5	7	3,0 Nm	4,0 Nm
16	25	9	W2 W4 W5	7	3,0 Nm	4,0 Nm
16	27	9	W4	7	3,0 Nm	4,0 Nm
20	32	9	W2 W4 W5	7	3,0 Nm	4,0 Nm
25	40	9	W2 W4 W5	7	3,0 Nm	4,0 Nm
27	35	9	W4	7	3,0 Nm	4,0 Nm
32	50	9	W2 W4 W5	7	3,0 Nm	4,0 Nm
40	60	9	W2 W4 W5	7	3,0 Nm	4,0 Nm
45	65	9	W4	7	3,0 Nm	4,0 Nm
50	70	9	W2 W4 W5	7	3,0 Nm	4,0 Nm
60	80	9	W2 W4 W5	7	3,0 Nm	4,0 Nm
70	80	9	W4	7	3,0 Nm	4,0 Nm
70	90	9	W2 W4 W5	7	3,0 Nm	4,0 Nm
80	100	9	W2 W4 W5	7	3,0 Nm	4,0 Nm
90	110	9	W2 W4 W5	7	3,0 Nm	4,0 Nm
100	120	9	W2 W4 W5	7	3,0 Nm	4,0 Nm
110	130	9	W2 W4 W5	7	3,0 Nm	4,0 Nm
120	140	9	W2 W4 W5	7	3,0 Nm	4,0 Nm
130	150	9	W2 W4 W5	7	3,0 Nm	4,0 Nm
140	160	9	W2 W4 W5	7	3,0 Nm	4,0 Nm
150	170	9	W2 W4 W5	7	3,0 Nm	4,0 Nm
160	180	9	W2 W4 W5	7	3,0 Nm	4,0 Nm
170	190	9	W2 W4 W5	7	3,0 Nm	4,0 Nm
180	200	9	W2 W4 W5	7	3,0 Nm	4,0 Nm
190	210	9	W2 W4 W5	7	3,0 Nm	4,0 Nm
200	220	9	W2 W4 W5	7	3,0 Nm	4,0 Nm
210	230	9	W2 W4 W5	7	3,0 Nm	4,0 Nm

AD*= Maximum advised torque.

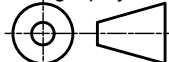
PD**=Minimum test torque in Nm according to DIN 3017-1.



Material:

W2, W4, W5

Third angle projection:



Part number:

D clamp

Description:

MPC Industries D clamp according to DIN 3017-1

Revision:

Drawn by: Gyula

Creation date: 24-5-2012

Scale 1:1

Units: mm

Format:

A4