



DF/EF series

8000kg / 9000kg / 10000kg / 12000kg
13000kg / 14000kg / 16000kg

Diesel Forklift Trucks



Stage V

SPECIFICATION SHEET

Models: GDP80DF / GDP90DF / GDP100DF(S) / GDP90DF(L) / GDP100DF
GDP120DF / GDP130EF(S) / GDP140EF(S) / GDP130EF / GDP140EF / GDP160EF / GDP120EF12
GDP160EF12 / GDP160EF(S)12

VDI 2198 – General Specifications

Distinguishing mark	1.1	Manufacturer (abbreviation)	Yale		
			GDP80DF	GDP90DF	GDP90DF(L)
Distinguishing mark	1.2	Manufacturer's type designation			
	1.3	Drive: electric (battery or mains), diesel, petrol, fuel gas		Diesel	
	1.4	Operator type: hand, pedestrian, standing, seated, orderpicker		Seated	
	1.5	Rated capacity / rated load	Q (kg)	8500	9500
	1.6	Load centre distance	c (mm)		600
	1.8	Load distance	x (mm)		809
	1.9	Wheelbase	y (mm)		2700
					2900
	Weights	2.1	Service weight *	kg	13270
2.2		Axle loading, laden front / rear	kg	20060 / 1710	21479 / 1825
2.3		Axle loading, unladen front / rear	kg	7124 / 6146	7022 / 6782
Tyres/chassis	3.1	Tyres: P=pneumatic, V=solid, SE=Pneumatic Shape Solid		P	
	3.2	Tyres size, front		10.00-20 16PR	
	3.3	Tyres size, rear		10.00-20 16PR	
	3.5	Wheels, number front / rear (x = driven wheels)		4X / 2	
	3.6	Track width, front	b10 (mm)		1842
	3.7	Track width, rear	b11 (mm)		2020
	Dimensions	4.1	Mast tilt : forward / backwards	(°)	
4.2		Height of mast lowered (unloaded)	h1 (mm)		3885
4.3		Free lift	h2 (mm)		-
4.4		Lift height (bottom of forks)	h3 (mm)		4925
4.5		Height of mast extended (unloaded)	h4 (mm)		6347
4.7		Height of overhead guard (open cab)	h6 (mm)		3055
4.7.1		Height of overhead guard (closed cab)	h6 (mm)		3082
4.7.2		Height of overhead guard (closed cab w/ airco)	h6 (mm)		3082
4.7.3		Height of overhead guard (closed cab w/ strobe light)	h6 (mm)		3177
4.7.4		Height of overhead guard (closed cab w/ work lights)	h6 (mm)		3231
4.7.5		Height of overhead guard (closed cab w/ airco & strobe light)	h6 (mm)		3207
4.8		Seat height (Seat Index Point, ISO 5353)	h7 (mm)		1875
4.12		Coupling height	h10 (mm)		661
4.17		Overhang	l5 (mm)		795
4.19		Overall length	l1 (mm)		5524
4.20		Length to face of forks	l2 (mm)		4304
4.21		Overall width truck	b2 (mm)		2490
4.22		Fork dimensions	s/e/l (mm)		75 / 200 / 1220
4.23		Carriage type			75mm std pin type
4.24		Carriage width	b3 (mm)		2396
4.25		Distance over fork arms, minimum / maximum	b5 (mm)		534 / 2256
4.30		Sideshift (min / max)	b8 (mm)		-
4.31		Ground clearance, under mast (w/o load)	m1 (mm)		253
4.32		Ground clearance, centre of wheelbase	m2 (mm)		313
4.33		Load size	w x l (mm)		1200 / 1200
4.33.1		Aisle width (a=10%)	Ast (mm)	6524	6732
4.33.2		Aisle width (a=0)	Ast (mm)	5931	6120
4.33.3		Aisle width (a=200)	Ast (mm)	6131	6320
4.34	Load size	w x l (mm)		1200 / 800	
4.34.1	Aisle width (a=10%)	Ast (mm)	6084	6292	
4.34.2	Aisle width (a=0)	Ast (mm)	5531	5720	
4.34.3	Aisle width (a=200)	Ast (mm)	5731	5920	
4.35	Turning radius (outer)	Wa (mm)	3850	4107	
4.36	Internal turning radius	b13 (mm)	1370	1538	
Performance data	5.1	Travel speed laden/unladen T3**	km/h	- / -	29.7 / 30.9
	5.2	Lifting speed laden/unladen 90cc T3	m/s	- / -	0.45 / 0.45
	5.2.1	Lifting speed laden/unladen 111cc T3	m/s	- / -	0.60 / 0.67
	5.2.2	Lifting speed laden/unladen 126cc T3	m/s	- / -	- / -
	5.3	Lowering speed laden/unladen	m/s	0.50 / 0.48	0.54 / 0.48
	5.5	Drawbar pull laden/unladen @ 1.6 km/hour T3	kN	- / -	95 / 97
	5.6	Drawbar pull laden/unladen @ stall T3	kN	- / -	106 / 107
	5.7	Gradeability laden/unladen @ 1.6 km/hour T3	%	- / -	47 / 35
	5.8	Gradeability laden/unladen @ stall T3	%	- / -	53 / 35
	5.1.2	Travel speed laden/unladen Stage V**	km/h	0.50 / 0.48	29.5 / 30.8
	5.2.3	Lifting speed laden/unladen 90cc Stage V	m/s	- / -	0.43 / 0.44
	5.2.4	Lifting speed laden/unladen 111cc Stage V	m/s	- / -	0.61 / 0.64
	5.2.5	Lifting speed laden/unladen 126cc Stage V	m/s	- / -	- / -
	5.3	Lowering speed laden/unladen	m/s	- / -	0.54 / 0.48
5.5.2	Drawbar pull laden/unladen @ 1.6 km/hour Stage V	kN	- / -	105 / 107	
5.6.2	Drawbar pull laden/unladen @ stall Stage V	kN	- / -	116 / 118	
5.7.2	Gradeability laden/unladen @ 1.6 km/hour Stage V	%	- / -	52 / 34	
5.8.2	Gradeability laden/unladen @ stall Stage V	%	- / -	53 / 34	
Additional information	10.1	Operating pressure for attachments	MPa		19.5
	10.2	Oil volume for attachments	l/min		100
	10.3	Hydraulic tank capacity	l		93
	10.4	Fuel tank capacity	l		113
	10.4.1	DEF tank capacity	l		19
	10.5	Steering design			Hydraulic power steering
	10.6	Number of steering rotation			5.0
	10.8	Towing coupling, model / type			Pin

* Truck models based on Stage-V engine and Standard pin CRG without fork positioning.

** Travel speed laden/unladen limited at 25 km/h as factory default.

All values are nominal values and they are subject to tolerances. For further information, please contact the

manufacturer. Yale products might be subject to change without notice.

Lift trucks illustrated may feature optional equipment. Values may vary with alternative configurations.

Yale				Manufacturer (abbreviation)		1.1	
GDP100DF(S)	GDP100DF	GDP120DF	GDP130EF(S)	Manufacturer's type designation		1.2	
Diesel				Drive: electric (battery or mains), diesel, petrol, fuel gas		1.3	
Seated				Operator type: hand, pedestrian, standing, seated, orderpicker		1.4	
10500	10500	12500	13500	Q (kg)	Rated capacity / rated load	1.5	
				c (mm)	Load centre distance	1.6	
				x (mm)	Load distance	1.8	
				y (mm)	Wheelbase	1.9	
14883	14470	15882	18629	kg	Service weight *	2.1	
23351 / 2032	23155 / 1815	26034 / 2348	29316 / 2813	kg	Axle loading, laden front / rear	2.2	
7372 / 7511	7553 / 6917	7460 / 8421	8884 / 9745	kg	Axle loading, unladen front / rear	2.3	
P				Tyres: P=pneumatic, V=solid, SE=Pneumatic Shape Solid		3.1	
10.00-20 16PR		12.00-20 20PR		Tyres size, front		3.2	
10.00-20 16PR		12.00-20 20PR		Tyres size, rear		3.3	
4X / 2				Wheels, number front / rear (x = driven wheels)		3.5	
1842				b10 (mm)	Track width, front	3.6	
2020				b11 (mm)	Track width, rear	3.7	
15° / 12°				(°)	Mast tilt : forward / backwards	4.1	
4135				h1 (mm)	Height of mast lowered (unloaded)	4.2	
				h2 (mm)	Free lift	4.3	
4925				h3 (mm)	Lift height (bottom of forks)	4.4	
6597				h4 (mm)	Height of mast extended (unloaded)	4.5	
3055				h5 (mm)	Height of overhead guard (open cab)	4.7	
3082				h6 (mm)	Height of overhead guard (closed cab)	4.7.1	
3082				h6 (mm)	Height of overhead guard (closed cab w/ airco)	4.7.2	
3177				h6 (mm)	Height of overhead guard (closed cab w/ strobe light)	4.7.3	
3231				h6 (mm)	Height of overhead guard (closed cab w/ work lights)	4.7.4	
3207				h6 (mm)	Height of overhead guard (closed cab w/ airco & strobe light)	4.7.5	
1875				h7 (mm)	Seat height (Seat Index Point, ISO 5353)	4.8	
661				h10 (mm)	Coupling height	4.12	
795				l5 (mm)	Overhang	4.17	
5724				l1 (mm)	Overall length	4.19	
4504				l2 (mm)	Length to face of forks	4.20	
2490				b2 (mm)	Overall width truck	4.21	
75 / 200 / 1220				90 / 200 / 1830	s/e/l	Fork dimensions	4.22
75mm standard pin type				90mm standard pin type	(mm)	Carriage type	4.23
2396				2496		Carriage width	4.24
534 / 2256				b3 (mm)	Distance over fork arms, minimum / maximum	4.25	
				b5 (mm)	Sideshift (min / max)	4.30	
253				b8 (mm)	Ground clearance, under mast (w/o load)	4.31	
313				m1 (mm)	Ground clearance, centre of wheelbase	4.32	
1200 / 1200				m2 (mm)	Load size	4.33	
6524	6732	7112		w x l (mm)	Aisle width (a=10%)	4.33.1	
5931	6120	6465		Ast (mm)	Aisle width (a=0)	4.33.2	
6131	6320	6665		Ast (mm)	Aisle width (a=200)	4.33.3	
1200 / 800				Ast (mm)	Load size	4.34	
6084	6292	6672		w x l (mm)	Aisle width (a=10%)	4.34.1	
5531	5720	6065		Ast (mm)	Aisle width (a=0)	4.34.2	
5731	5920	6265		Ast (mm)	Aisle width (a=200)	4.34.3	
3850	4107	4180		Ast (mm)	Turning radius (outer)	4.35	
1370	1538	1453		Wa (mm)	Internal turning radius	4.36	
- / -	29.7 / 30.9	29.7 / 30.9	27.4 / 29.0	b13 (mm)	Travel speed laden/unladen T3**	5.1	
- / -	0.40 / 0.40	0.40 / 0.40	- / -	km/h	Lifting speed laden/unladen 90cc T3	5.2	
- / -	0.47 / 0.54	0.47 / 0.54	0.36 / 0.40	m/s	Lifting speed laden/unladen 111cc T3	5.2.1	
- / -	- / -	- / -	- / -	m/s	Lifting speed laden/unladen 126cc T3	5.2.2	
0.50 / 0.48	0.54 / 0.48	0.54 / 0.48	0.54 / 0.48	m/s	Lowering speed laden/unladen	5.3	
- / -	95 / 97	95 / 97	99 / 102	m/s	Drawbar pull laden/unladen @ 1.6 km/hour T3	5.5	
- / -	106 / 107	105 / 107	111 / 114	kN	Drawbar pull laden/unladen @ stall T3	5.6	
- / -	42 / 33	36 / 32	33 / 31	kN	Gradeability laden/unladen @ 1.6 km/hour T3	5.7	
- / -	48 / 33	41 / 32	38 / 31	%	Gradeability laden/unladen @ stall T3	5.8	
0.50 / 0.48	29.5 / 30.8	29.5 / 30.8	27.1 / 28.9	%	Travel speed laden/unladen Stage V**	5.1.2	
- / -	0.39 / 0.40	0.39 / 0.40	- / -	km/h	Lifting speed laden/unladen 90cc Stage V	5.2.3	
- / -	0.50 / 0.52	0.50 / 0.52	- / -	m/s	Lifting speed laden/unladen 111cc Stage V	5.2.4	
- / -	- / -	- / -	0.37 / 0.44	m/s	Lifting speed laden/unladen 126cc Stage V	5.2.5	
- / -	0.54 / 0.48	0.54 / 0.48	0.54 / 0.48	m/s	Lowering speed laden/unladen	5.3	
- / -	105 / 107	105 / 106	109 / 111	m/s	Drawbar pull laden/unladen @ 1.6 km/hour Stage V	5.5.2	
- / -	116 / 118	116 / 118	122 / 125	kN	Drawbar pull laden/unladen @ stall Stage V	5.6.2	
- / -	47 / 33	32 / 40	37 / 31	kN	Gradeability laden/unladen @ 1.6 km/hour Stage V	5.7.2	
- / -	53 / 33	32 / 45	42 / 31	%	Gradeability laden/unladen @ stall Stage V	5.8.2	
19.5				%	Operating pressure for attachments	10.1	
100				MPa	Oil volume for attachments	10.2	
93	109			l/min	Hydraulic tank capacity	10.3	
113	151			l	Fuel tank capacity	10.4	
19				l	DEF tank capacity	10.4.1	
Hydraulic power steering				l	Steering design	10.5	
5.0					Number of steering rotation	10.6	
Pin					Towing coupling, model / type	10.8	

VDI 2198 – General Specifications

Distinguishing mark	Description	Yale		
		GDP140EF(S)	GDP130EF	GDP140EF
1.1	Manufacturer (abbreviation)		Yale	Yale
1.2	Manufacturer's type designation		GDP130EF	GDP140EF
1.3	Drive: electric (battery or mains), diesel, petrol, fuel gas		Diesel	
1.4	Operator type: hand, pedestrian, standing, seated, orderpicker		Seated	
1.5	Rated capacity / rated load	Q (kg)	14500	14500
1.6	Load centre distance	c (mm)	600	
1.8	Load distance	x (mm)	889	
1.9	Wheelbase	y (mm)	2900	3300
2.1	Service weight *	kg	19328	17806
2.2	Axle loading, laden front / rear	kg	30712 / 3116	28892 / 2414
2.3	Axle loading, unladen front / rear	kg	8767 / 10561	9300 / 8505
3.1	Tyres: P=pneumatic, V=solid, SE=Pneumatic Shape Solid		P	
3.2	Tyres size, front		12.00-20 20PR	
3.3	Tyres size, rear		12.00-20 20PR	
3.5	Wheels, number front / rear (x = driven wheels)		4X / 2	
3.6	Track width, front	b10 (mm)	1842	
3.7	Track width, rear	b11 (mm)	2018	
4.1	Mast tilt : forward / backwards	(°)	15° / 12°	
4.2	Height of mast lowered (unloaded)	h1 (mm)	4193	
4.3	Free lift	h2 (mm)	-	
4.4	Lift height (bottom of forks)	h3 (mm)	4910	
4.5	Height of mast extended (unloaded)	h4 (mm)	6648	
4.7	Height of overhead guard (open cab)	h6 (mm)	3083	
4.7.1	Height of overhead guard (closed cab)	h6 (mm)	3110	
4.7.2	Height of overhead guard (closed cab w/ airco)	h6 (mm)	3110	
4.7.3	Height of overhead guard (closed cab w/ strobe light)	h6 (mm)	3205	
4.7.4	Height of overhead guard (closed cab w/ work lights)	h6 (mm)	3259	
4.7.5	Height of overhead guard (closed cab w/ airco & strobe light)	h6 (mm)	3235	
4.8	Seat height (Seat Index Point, ISO 5353)	h7 (mm)	1903	
4.12	Coupling height	h10 (mm)	689	
4.17	Overhang	l5 (mm)	925	795
4.19	Overall length	l1 (mm)	6544	6814
4.20	Length to face of forks	l2 (mm)	4714	4984
4.21	Overall width truck	b2 (mm)		2541
4.22	Fork dimensions	s/e/l (mm)		90 / 200 / 1830
4.23	Carriage type			90mm std pin type
4.24	Carriage width	b3 (mm)		2496
4.25	Distance over fork arms, minimum / maximum	b5 (mm)		534 / 2356
4.30	Sideshift (min / max)	b8 (mm)		-
4.31	Ground clearance, under mast (w/o load)	m1 (mm)		245
4.32	Ground clearance, centre of wheelbase	m2 (mm)		341
4.33	Load size	w x l (mm)		1200 / 1200
4.33.1	Aisle width (a=10%)	Ast (mm)	7112	7399
4.33.2	Aisle width (a=0)	Ast (mm)	6465	6726
4.33.3	Aisle width (a=200)	Ast (mm)	6665	6926
4.34	Load size	w x l (mm)	1200 / 800	1200 / 800
4.34.1	Aisle width (a=10%)	Ast (mm)	6672	6959
4.34.2	Aisle width (a=0)	Ast (mm)	6065	6326
4.34.3	Aisle width (a=200)	Ast (mm)	6265	6526
4.35	Turning radius (outer)	Wa (mm)	4180	4573
4.36	Internal turning radius	b13 (mm)	1453	1777
5.1	Travel speed laden/unladen T3**	km/h		27.4 / 29.0
5.2	Lifting speed laden/unladen 90cc T3	m/s		- / -
5.2.1	Lifting speed laden/unladen 111cc T3	m/s		0.36 / 0.40
5.2.2	Lifting speed laden/unladen 126cc T3	m/s		- / -
5.3	Lowering speed laden/unladen	m/s		0.54 / 0.48
5.5	Drawbar pull laden/unladen @ 1.6 km/hour T3	kN	99 / 101	99 / 102
5.6	Drawbar pull laden/unladen @ stall T3	kN	111 / 114	112 / 114
5.7	Gradeability laden/unladen @ 1.6 km/hour T3	%	31 / 29	34 / 35
5.8	Gradeability laden/unladen @ stall T3	%	36 / 29	39 / 35
5.1.2	Travel speed laden/unladen Stage V**	km/h	27.1 / 28.9	27.1 / 28.9
5.2.3	Lifting speed laden/unladen 90cc Stage V	m/s		- / -
5.2.4	Lifting speed laden/unladen 111cc Stage V	m/s		- / -
5.2.5	Lifting speed laden/unladen 126cc Stage V	m/s		0.37 / 0.44
5.3	Lowering speed laden/unladen	m/s		0.54 / 0.48
5.5.2	Drawbar pull laden/unladen @ 1.6 km/hour Stage V	kN	109 / 111	109 / 112
5.6.2	Drawbar pull laden/unladen @ stall Stage V	kN	122 / 125	122 / 125
5.7.2	Gradeability laden/unladen @ 1.6 km/hour Stage V	%	35 / 29	38 / 35
5.8.2	Gradeability laden/unladen @ stall Stage V	%	40 / 29	43 / 35
10.1	Operating pressure for attachments	MPa		19.5
10.2	Oil volume for attachments	l/min		100
10.3	Hydraulic tank capacity	l		109
10.4	Fuel tank capacity	l	151	203
10.4.1	DEF tank capacity	l		19
10.5	Steering design			Hydraulic power steering
10.6	Number of steering rotation			5.0
10.8	Towing coupling, model / type			Pin

* Truck models based on Stage-V engine and Standard pin CRG without fork positioning.

** Travel speed laden/unladen limited at 25 km/h as factory default.

All values are nominal values and they are subject to tolerances. For further information, please contact the

manufacturer. Yale products might be subject to change without notice.

Lift trucks illustrated may feature optional equipment. Values may vary with alternative configurations.

Yale				Manufacturer (abbreviation)		1.1	
GDP160EF	GDP120EF12	GDP160EF(S)12	GDP160EF12	Manufacturer's type designation		1.2	
Diesel				Drive: electric (battery or mains), diesel, petrol, fuel gas		1.3	
Seated				Operator type: hand, pedestrian, standing, seated, orderpicker		1.4	
16500	12500	16400		Q (kg)	Rated capacity / rated load	1.5	
600	1200		941	c (mm)	Load centre distance	1.6	
889				x (mm)	Load distance	1.8	
3300	3500	3500	3750	y (mm)	Wheelbase	1.9	
19459	19754	23461	22681	kg	Service weight *	2.1	
33225 / 2734	29368 / 2886	36401 / 3459	35,861 / 3219	kg	Axle loading, laden front / rear	2.2	
9280 / 10179	9407 / 10347	9969 / 13491	10098 / 12583	kg	Axle loading, unladen front / rear	2.3	
P				Tyres: P=pneumatic, V=solid, SE=Pneumatic Shape Solid		3.1	
12.00-20 20PR		12.00 R 20		Tyres size, front		3.2	
12.00-20 20PR		12.00 R 20		Tyres size, rear		3.3	
4X / 2				Wheels, number front / rear (x = driven wheels)		3.5	
1842		1844		b10 (mm)	Track width, front	3.6	
2018		2020		b11 (mm)	Track width, rear	3.7	
15° / 12°		6° / 10°		(°)	Mast tilt : forward / backwards	4.1	
4193		4008		h1 (mm)	Height of mast lowered (unloaded)	4.2	
				h2 (mm)	Free lift	4.3	
4910		4494		h3 (mm)	Lift height (bottom of forks)	4.4	
6648		6255		h4 (mm)	Height of mast extended (unloaded)	4.5	
3083		3083		h6 (mm)	Height of overhead guard (open cab)	4.7	
3110		3110		h6 (mm)	Height of overhead guard (closed cab)	4.7.1	
3110		3110		h6 (mm)	Height of overhead guard (closed cab w/ airco)	4.7.2	
3205		3205		h6 (mm)	Height of overhead guard (closed cab w/ strobe light)	4.7.3	
3259		3259		h6 (mm)	Height of overhead guard (closed cab w/ work lights)	4.7.4	
3235		3235		h6 (mm)	Height of overhead guard (closed cab w/ airco & strobe light)	4.7.5	
1903		1903		h7 (mm)	Seat height (Seat Index Point, ISO 5353)	4.8	
689		689		h10 (mm)	Coupling height	4.12	
795		925		l5 (mm)	Overhang	4.17	
6814		7754		l1 (mm)	Overall length	4.19	
4984		5,314		l2 (mm)	Length to face of forks	4.20	
2541				b2 (mm)	Overall width truck	4.21	
90 / 200 / 1830	90 / 200 / 2440	100 / 200 / 2440		s/e/l	Fork dimensions	4.22	
90mm std pin type		100mm std pin type		(mm)	Carriage type	4.23	
2496		2540		Carriage width		4.24	
534 / 2356		470 / 2440		b3 (mm)	Distance over fork arms, minimum / maximum	4.25	
				b5 (mm)	Sideshift (min / max)	4.30	
245		225		b8 (mm)	Ground clearance, under mast (w/o load)	4.31	
341				m1 (mm)	Ground clearance, centre of wheelbase	4.32	
1200 / 1200	2400 / 2400				m2 (mm)	Load size	4.33
7399	9066	9140	9395	w x l (mm)	Aisle width (a=10%)	4.33.1	
6726	8242	8309	8541	Ast (mm)	Aisle width (a=0)	4.33.2	
6926	8442	8509	8741	Ast (mm)	Aisle width (a=200)	4.33.3	
1200 / 800	1930 / 1830	- / -	- / -	Ast (mm)	Load size	4.34	
6959	8439	-	-	w x l (mm)	Aisle width (a=10%)	4.34.1	
6326	7672	-	-	Ast (mm)	Aisle width (a=0)	4.34.2	
6526	7872	-	-	Ast (mm)	Aisle width (a=200)	4.34.3	
4573	4947	4889	5,185	Ast (mm)	Turning radius (outer)	4.35	
1777	1940	1803	1996	Wa (mm)	Internal turning radius	4.36	
27.4 / 29.0		27.1 / 29.0		b13 (mm)	Travel speed laden/unladen T3**	5.1	
- / -		- / -		km/h	Lifting speed laden/unladen 90cc T3	5.2	
0.36 / 0.40		- / -		m/s	Lifting speed laden/unladen 111cc T3	5.2.1	
- / -		0.33 / 0.44		m/s	Lifting speed laden/unladen 126cc T3	5.2.2	
0.54 / 0.48				m/s	Lowering speed laden/unladen	5.3	
99 / 101				m/s	Drawbar pull laden/unladen @ 1.6 km/hour T3	5.5	
111 / 114	111 / 113	110 / 113	110 / 113	kN	Drawbar pull laden/unladen @ stall T3	5.6	
29 / 32	33 / 32	26 / 31	26 / 36	kN	Gradeability laden/unladen @ 1.6 km/hour T3	5.7	
33 / 32	38 / 32	29 / 31	30 / 36	%	Gradeability laden/unladen @ stall T3	5.8	
27.1 / 28.9	27.1 / 28.9	26.8 / 28.9	26.8 / 28.9	%	Travel speed laden/unladen Stage V**	5.1.2	
- / -	- / -	- / -	- / -	km/h	Lifting speed laden/unladen 90cc Stage V	5.2.3	
- / -	- / -	- / -	- / -	m/s	Lifting speed laden/unladen 111cc Stage V	5.2.4	
0.37 / 0.44	0.37 / 0.44	0.39 / 0.42	0.39 / 0.42	m/s	Lifting speed laden/unladen 126cc Stage V	5.2.5	
0.54 / 0.48	0.54 / 0.48	0.54 / 0.45	0.54 / 0.45	m/s	Lowering speed laden/unladen	5.3	
108 / 111	109 / 111	108 / 111	108 / 111	m/s	Drawbar pull laden/unladen @ 1.6 km/hour Stage V	5.5.2	
122 / 125	123 / 125	121 / 124	121 / 124	kN	Drawbar pull laden/unladen @ stall Stage V	5.6.2	
32 / 32	37 / 32	29 / 31	29 / 36	kN	Gradeability laden/unladen @ 1.6 km/hour Stage V	5.7.2	
37 / 32	42 / 32	33 / 31	33 / 36	%	Gradeability laden/unladen @ stall Stage V	5.8.2	
19.5				%	Operating pressure for attachments	10.1	
100				MPa	Oil volume for attachments	10.2	
109				l/min	Hydraulic tank capacity	10.3	
203				l	Fuel tank capacity	10.4	
19				l	DEF tank capacity	10.4.1	
Hydraulic power steering				l	Steering design	10.5	
5.0					Number of steering rotation	10.6	
Pin					Towing coupling, model / type	10.8	

Distinguishing mark

Weights

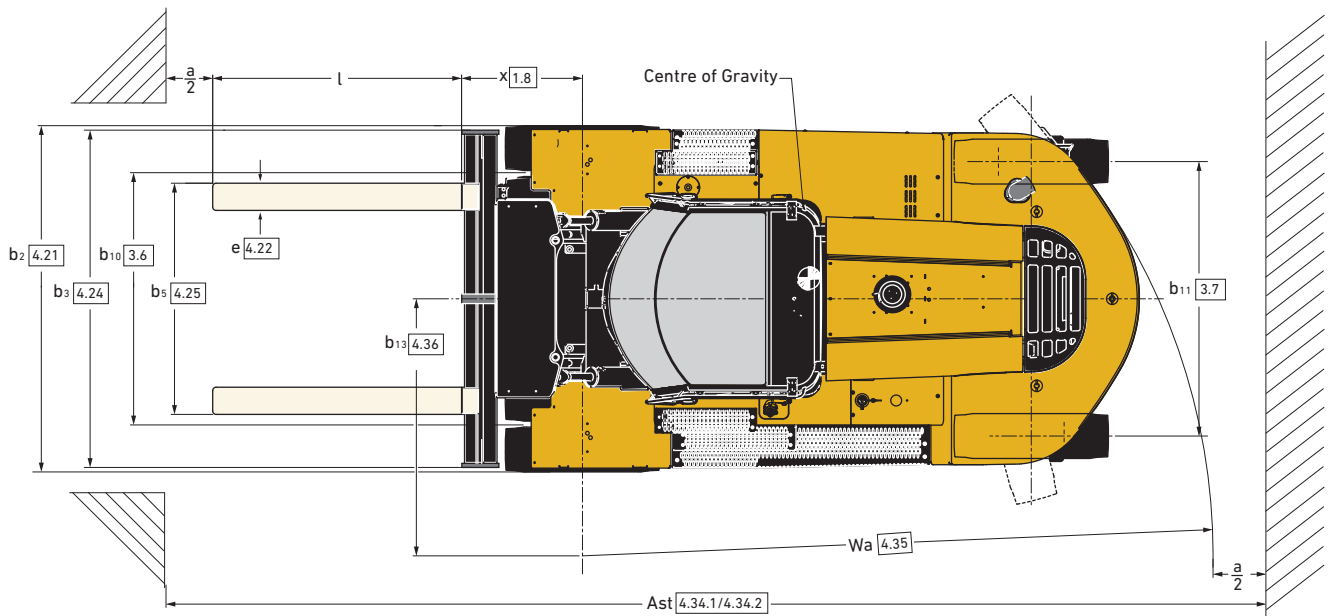
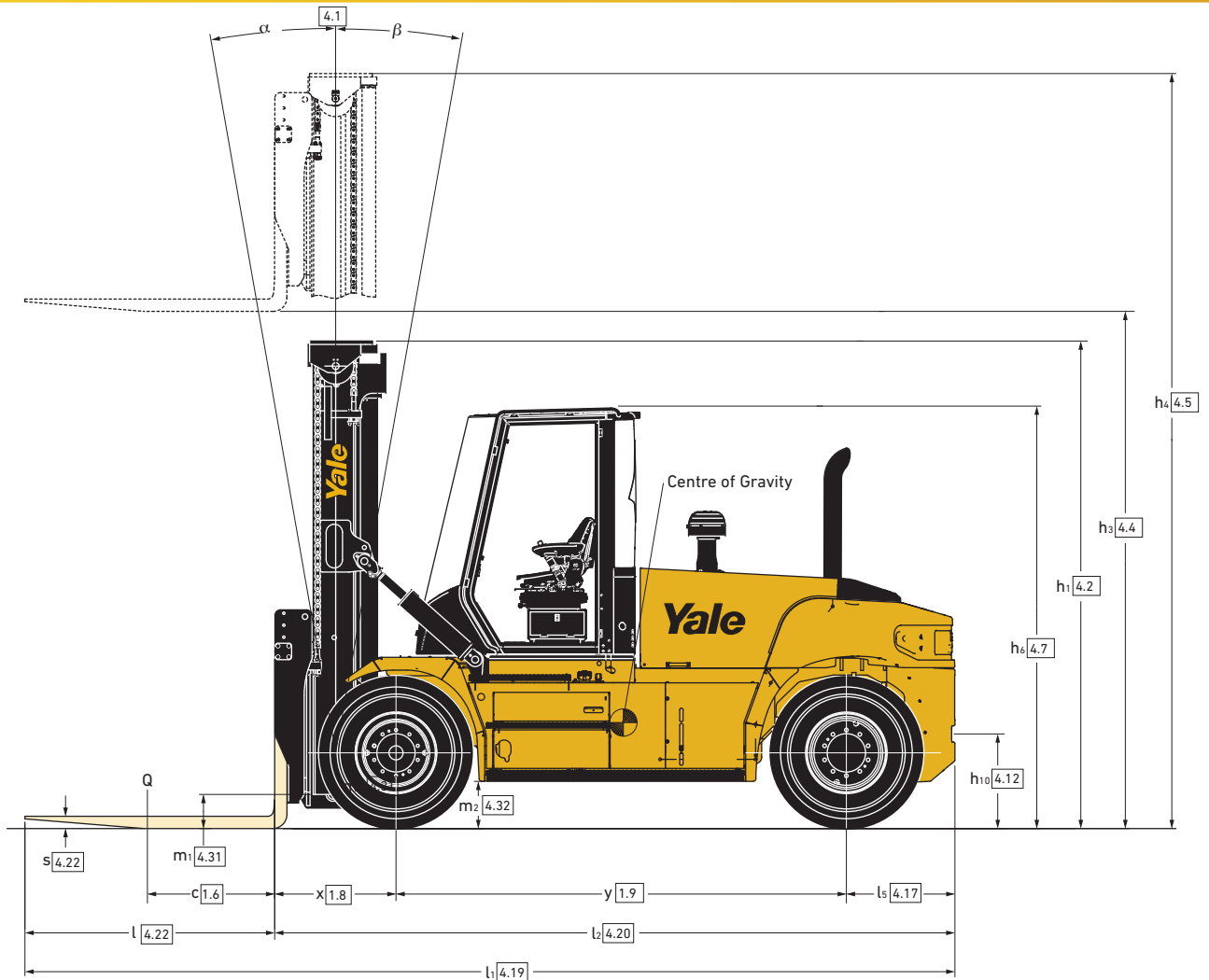
Tyres/chassis

Dimensions

Performance data

Additional information

Truck Dimensions



= Centre of gravity of unladen truck

$A_{ST} = W_a + x + l_6 + a$ (if $b_{12}/2 < b_{13}$)

$A_{ST} = W_a + ((l_6+x)^2 + (b_{12}/2-b_{13})^2)^{0.5} + a$ (if $b_{12}/2 > b_{13}$ and $W_a > b_{13} + b_{12}/2$)

$A_{ST} = b_{13} + b_{12}/2 ((l_6+x)^2 + (b_{12}/2-b_{13})^2)^{0.5} + a$ (if $b_{12}/2 > b_{13}$ and $W_a < b_{13} + b_{12}/2$)

a = Minimum operating clearance = 10% of A_{ST}

(VDI standard = 200mm BITA recommendation = 300mm)

l_6 = load lengths

b_{12} = load width

8-9 T Rated capacity (kg) @ 600mm load centre, 2 stage NFL

Lift height h _{3+s} (mm)	Lowered height h ₁ (mm)	Extended height h ₄ (mm)	Standard pin type carriage (kg)		Sideshift frame pin type carriage (kg)		QD DFSSFP carriage (kg)	
			GDP80DF	GDP90DF(L)	GDP80DF	GDP90DF(L)	GDP80DF	GDP90DF(L)
3250	3009.5	4597	8500	9500	8400	9400	8200	9200
3500	3134.5	4847	8500	9500	8400	9400	8200	9200
3750	3259.5	5097	8500	9500	8400	9400	8200	9200
4000	3384.5	5347	8500	9500	8400	9400	8200	9200
4500	3634.5	5847	8500	9500	8400	9400	8200	9200
4750	3759.5	6097	8500	9500	8400	9400	8200	9200
5000	3884.5	6347	8500	9500	8400	9400	8200	9200
5500	4134.5	6847	8360	9340	8300	9280	8080	9060

Capacity calculated with 1220mm forks.

Note: addition of header hoses will add 16.5mm to OLH (h₁) and OEH (h₄)

10-12 T Rated capacity (kg) @ 600mm load centre, 2 stage NFL

Lift height h _{3+s} (mm)	Lowered height h ₁ (mm)	Extended height h ₄ (mm)	Standard pin type carriage (kg)		Sideshift frame pin type carriage (kg)		QD DFSSFP carriage (kg)	
			GDP100DFS	GDP120DF	GDP100DFS	GDP120DF	GDP100DFS	GDP120DF
2750	3010	4347	10500	12500	10400	12400	10200	12200
3000	3135	4597	10500	12500	10400	12400	10200	12200
3250	3260	4847	10500	12500	10400	12400	10200	12200
3500	3385	5097	10500	12500	10400	12400	10200	12200
3750	3510	5347	10500	12500	10400	12400	10200	12200
4000	3635	5597	10500	12500	10400	12400	10200	12200
4500	3885	6097	10500	12500	10400	12400	10200	12200
4750	4010	6347	10500	12500	10400	12400	10200	12200
5000	4135	6597	10500	12500	10400	12400	10200	12200
5500	4385	7097	10340	12320	10300	12320	10040	12000
6000	4635	7597	10160	12140	10100	12100	Capacity will vary based on side shift and tilt	
6250	4760	7847	10080	12060	10000	12000		
6500	4885	8097	9980	11960	9880	11880		
7000	5135	8597	9760	11740	9660	11640		

Capacity calculated with 1220mm forks.

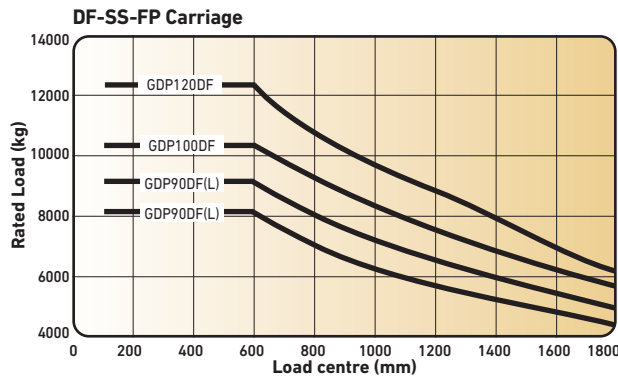
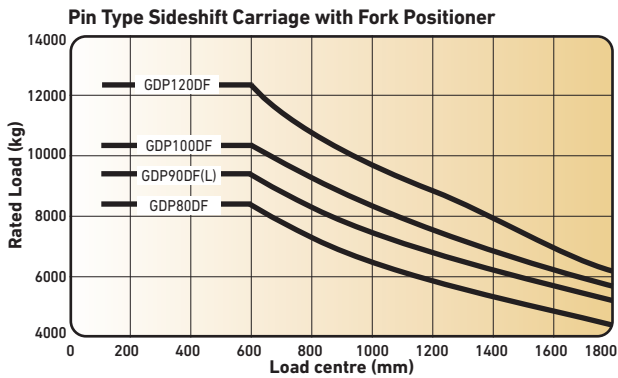
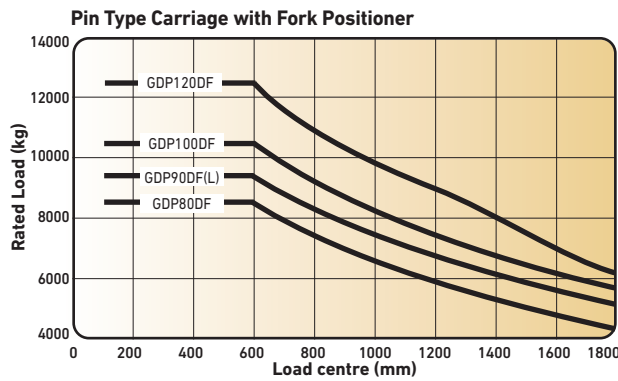
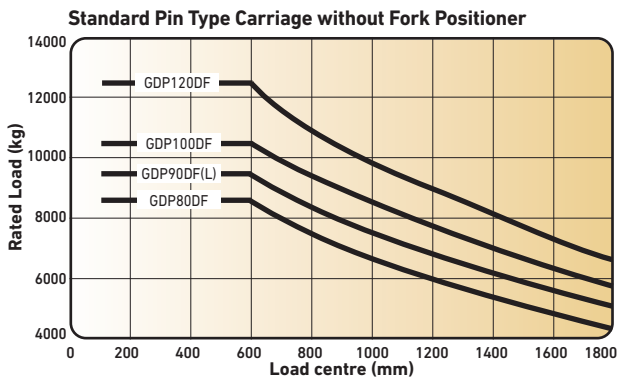
Note: addition of header hoses will add 17mm to OLH (h₁) and OEH (h₄)

8-12 T Rated capacity (kg) @ 600mm load centre, 3 stage FFL

Lift height h _{3+s} (mm)	Lowered height h ₁ (mm)	Extended height h ₄ (mm)	Sideshift pin type carriage (kg)			
			GDP80DF	GDP90DF(L)	GDP100DFS	GDP120DF
5500	3012	6880	7420	8360	9400	11300
6000	3178	7380	7260	8220	9240	11120
6500	3345	7880	7080	8020	9040	10920
7000	3511	8380	6880	7780	8800	10660

Capacity calculated with 1220mm forks.

Rated Capacities with 5000mm TOF 2-stage NFL mast



Load Centre
Distance from front of forks to centre of gravity of load.

Rated Load
Based on vertical mast.

Graphs
Graphs are based on 5000mm TOF (h₃ + s (mm)) lift height and 1220mm long forks. Long load centre capacities are for reference only and will require longer forks. Please request actual capacity based on the full configuration.

13-16 T Rated capacity (kg) @ 600mm load centre, 2 stage NFL

Lift height h ₃ +s (mm)	Lowered height h ₁ (mm)	Extended height h ₄ (mm)	Standard pin type carriage (kg)					
			GDP130EF(S)	GDP140EF(S)	GDP130EF	GDP140EF	GDP160EF	GDP120EF12
2750	3068	4398	13500	14500	13500	14500	16500	12500
3000	3193	4648	13500	14500	13500	14500	16500	12500
3250	3318	4898	13500	14500	13500	14500	16500	12500
3500	3443	5148	13500	14500	13500	14500	16500	12500
3750	3568	5398	13500	14500	13500	14500	16500	12500
4000	3693	5648	13500	14500	13500	14500	16500	12500
4500	3943	6148	13500	14500	13500	14500	16500	12500
4750	4068	6398	13500	14500	13500	14500	16500	12500
5000	4193	6648	13500	14500	13500	14500	16500	12500
5500	4443	7148	13340	14340	13320	14320	16300	12360
6000	4693	7648	13160	14140	13140	14140	16120	12200
6250	4818	7898	13080	14060	13040	14040	16000	12100
6500	4943	8148	12960	13960	12920	13940	15900	12000
7000	5193	8648	12700	13760	12660	13720	15660	11800

Capacity calculated with 1830mm forks.

Note: Addition of header hoses will add 17mm to OLH (h₁) and OEH (h₄)

13-16 T Rated capacity (kg) @ 600mm load centre, 2 stage NFL

Lift height h ₃ +s (mm)	Lowered height h ₁ (mm)	Extended height h ₄ (mm)	Sideshift frame pin type carriage (kg)					
			GDP130EF(S)	GDP140EF(S)	GDP130EF	GDP140EF	GDP160EF	GDP120EF12
2750	3068	4398	13400	14500	13400	14500	16400	12400
3000	3193	4648	13400	14500	13400	14500	16400	12400
3250	3318	4898	13400	14500	13400	14500	16400	12400
3500	3443	5148	13400	14500	13400	14500	16400	12400
3750	3568	5398	13400	14500	13400	14500	16400	12400
4000	3693	5648	13400	14500	13400	14500	16400	12400
4500	3943	6148	13400	14500	13400	14500	16400	12400
4750	4068	6398	13400	14500	13400	14500	16400	12400
5000	4193	6648	13400	14500	13400	14500	16400	12400
5500	4443	7148	13240	14340	13240	14320	16280	12260
6000	4693	7648	13040	14160	13000	14140	16040	12080
6250	4818	7898	12920	14060	12900	14040	15900	12000
6500	4943	8148	12800	13960	12780	13940	15780	11900
7000	5193	8648	12560	13760	12500	13720	15500	11680

Capacity calculated with 1830mm forks.

Note: Addition of header hoses will add 17mm to OLH (h₁) and OEH (h₄)

13-16 T Rated capacity (kg) @ 600mm load centre, 2 stage NFL

Lift height h _{3+s} (mm)	Lowered height h ₁ (mm)	Extended height h ₄ (mm)	QD DFSSFP carriage (kg)							
			GDP130EF(S)	GDP140EF(S)	GDP130EF	GDP140EF	GDP160EF	GDP120EF12		
2750	3068	4398	13100	14400	13100	14400	16100	12000		
3000	3193	4648	13100	14400	13100	14400	16100	12000		
3250	3318	4898	13100	14400	13100	14400	16100	12000		
3500	3443	5148	13100	14400	13100	14400	16100	12000		
3750	3568	5398	13100	14400	13100	14400	16100	12000		
4000	3693	5648	13100	14400	13100	14400	16100	12000		
4500	3943	6148	13100	14400	13100	14400	16100	12000		
4750	4068	6398	13100	14400	13100	14400	16100	12000		
5000	4193	6648	13100	14400	13100	14400	16100	12000		
5500	4443	7148	12700	12720	12880	13640	14040	12000		
6000	4693	7648	Capacity will vary based on side shift and tilt							
6250	4818	7898								
6500	4943	8148								
7000	5193	8648								

Capacity calculated with 1830mm forks.

Note: Addition of header hoses will add 17mm to OLH (h₁) and OEH (h₄).

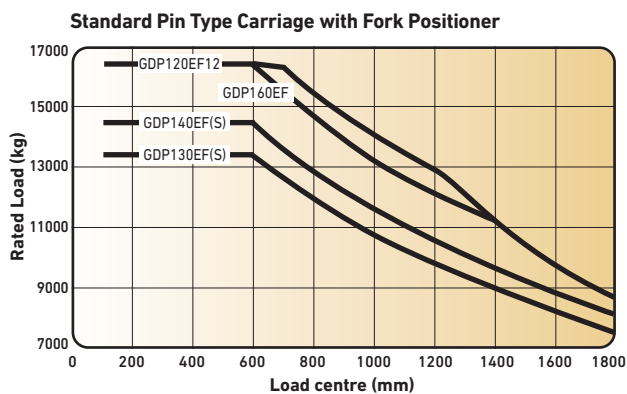
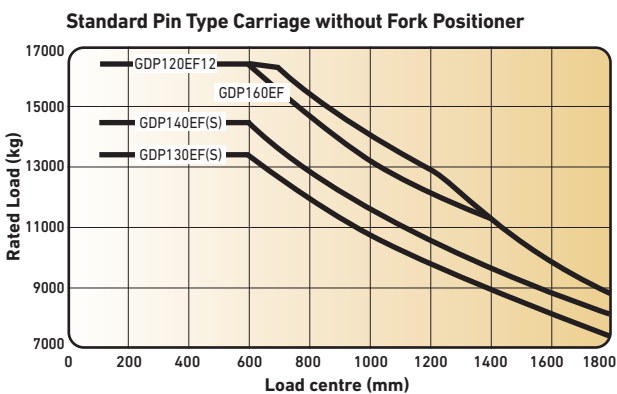
Capacity calculated with bias tyres, radial tyres will give a higher derate for DFSSFP carriage above 5000 mm Lift Height*

13-16 T Rated capacity (kg) @ 600mm load centre, 3 stage FFL

Lift height h _{3+s} (mm)	Lowered height h ₁ (mm)	Extended height h ₄ (mm)	Sideshift pin type carriage (kg)					
			GDP130EF(S)	GDP140EF(S)	GDP130EF	GDP140EF	GDP160EF	GDP120EF12
4500	3103	6180	12000	12900	12000	12900	14720	11440
5000	3269	6680	11960	12840	11960	12840	14660	11400
6000	3602	7680	11580	12460	11580	12460	14240	11080
7000	3935	8680	11060	11940	11060	11940	13720	10680

Capacity calculated with 1830mm forks.

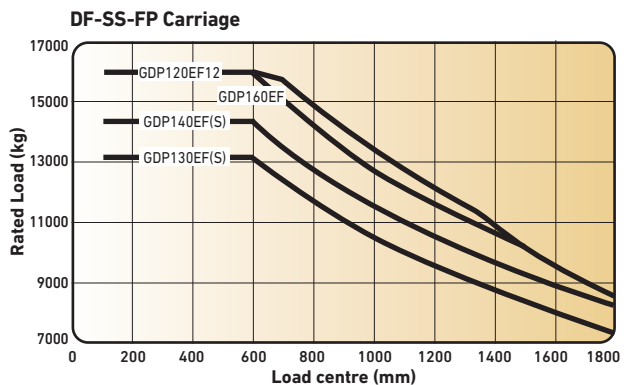
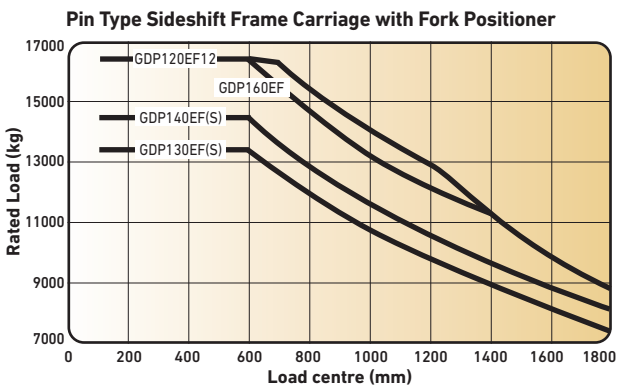
Rated Capacities with 5000 mm TOF NFL mast



Load Centre
Distance from front of forks to centre of gravity of load.

Rated Load
Based on 5000mm 2-stage TOF NFL mast

Graphs
Graphs are based on 5000mm TOF (h₃ + s (mm)) lift height. EF models are calculated with 1830 mm long forks. EF12 models are calculated with 2440mm long forks. Long load centre capacities are for reference only and will require longer forks. Please request actual capacity based on the full configuration.



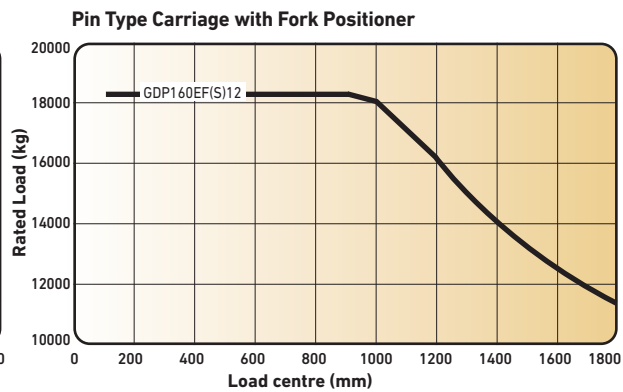
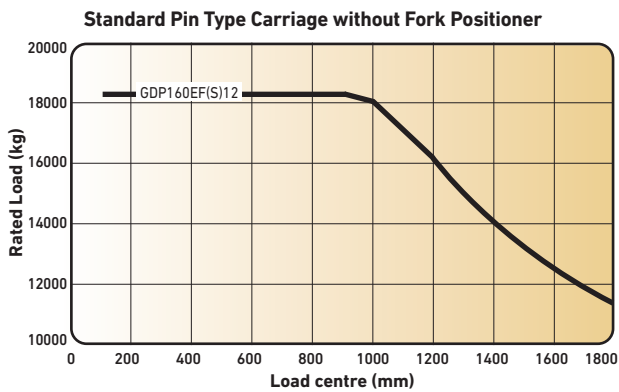
16@1200 Rated capacity (kg) @ 1200mm load centre, 2 stage NFL

Lift height h _{3+s} (mm)	Lowered height h ₁ (mm)	Extended height h ₄ (mm)	1200mm load centre, 2 stage NFL								
			Standard pin type carriage (kg)		Sideshift frame pin type carriage (kg)		QD DFSSFP carriage (kg)		DFSSFP Integrated forks carriage (kg)		
			GDP160EF(S)12	GDP160EF12	GDP160EF(S)12	GDP160EF12	GDP160EF(S)12	GDP160EF12	GDP160EF(S)12	GDP160EF12	
3984	3703	5645	16000	16000	16000	16000	16000	16000	16000	16000	16000
4594	4008	6255	16000	16000	16000	16000	16000	16000	16000	16000	16000
5406	4414	7067	16000	16000	16000	16000	14740	14960	14880	15100	
6219	4821	7880	16000	16000	15940	15920	Capacity will vary based on sideshift and tilt		Capacity will vary based on sideshift and tilt		

Capacity calculated with 2440mm forks.

Note: Addition of header hoses will add 17mm to OLH (h₁) and OEH (h₄)

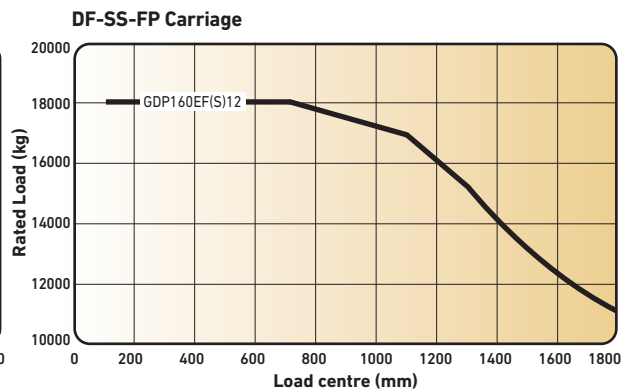
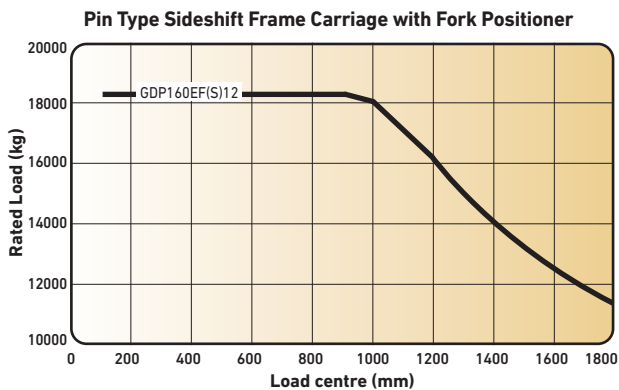
Rated Capacities



Load centre
Distance from front of forks to centre of gravity of load.

Rated load
Based on 5000mm 2-stage TOF NFL mast.

Graphs
Graphs are based on 4594mm TOF (h₃ + s (mm)) lift height and 2440mm long forks. Long load centre capacities are for reference only and will require longer forks. Please request actual capacity based on the full configuration.



Powertrains

General	1.1	Manufacturer		Yale	Yale
	1.2	Manufacturer's type designation		GDP90DF(L), GDP100-120DF, GDP130-160EF(S), GDP120-160EF(S)12	GDP80-90DF(L), GDP100-120DF(S), GDP130-160EF(S), GDP120-160EF(S)12
	1.3	Drive: electric (battery or mains), diesel, petrol, fuel gas		Diesel	Diesel
	1.9	Wheelbase	y (mm)	2900 - 3750	2700-3750
Engine	7.1	Engine manufacturer / model		Cummins QSB 6.7 Stage IIIA	MTU OM 934 Stage V
	7.2	Engine power output according to ISO 1585 nominal	kW	116 @ 2300rpm	129 @ 2200rpm
	7.2.1	Engine power output according to ISO 1585 max.	kW	116 @ 2300rpm	129 @ 1800rpm
	7.2.2	Maximum engine torque	Nm	597 @ 1500rpm	750 @ 1600rpm
	7.3	Rated speed	rpm	2300	2200
	7.4	Number of cylinders / displacement	# / cm ³	6 / 6700	4 / 5300
	7.8	Alternator output	Amps	120	100
Add. data	7.10	Battery voltage / nominal capacity	V / Ah	24 / 102	24 / 102
	10.7	Sound pressure level at the driver's seat ⁽¹⁾	dB(A)	-	74
	10.7.1	Sound power level during the working cycle ⁽¹⁾	dB(A)	TBD	102

⁽¹⁾ Sound level(s) based on low mount exhaust.

Powertrains

General	1.1	Manufacturer		Yale	Yale
	1.2	Manufacturer's type designation		GDP80-120DF(S), GDP90DF(L)	GDP130-160EF(S), GDP160-160EF(S), GDP120-160EF(S)12
Drive Train	8.1	Type of drive unit		Torque Converter	Torque Converter
	8.2	Transmission Manufacturer / Type		ZF / 3WG161	ZF / 3WG161
	8.3	Drive axle Manufacturer / Type		Kessler D61	Kessler D81
	8.4	Service brake		Oil immersed disc	Oil immersed disc
	8.5	Parking brake		Dry disc on drive axle	Dry disc on drive axle

Standard equipment all trucks

- Mercedes-Benz OM 934 Stage V / Cummins QSB 6.7 Stage IIIA diesel engines
- Hydraulic driven cooling fan
- Performance modes
- Powertrain protection system
- Heavy duty air intake
- Low mount exhaust (below chassis)
- ZF Transmission WG161 3-speeds forward/3-speeds reverse auto-shifting
- Kessler drive axle with wet disc brakes
- On-demand load sensing hydraulic system
- Automatic throttle-up when lifting (in neutral or inching)
- Pressure compensated lowering
- Open operator compartment (without doors and screens)
- Manual tilt operator compartment for service
- Isolated cabin mounting for low noise and vibration
- Operator presence system
- Mechanical suspension seat
- Low backrest seat
- Vinyl seat cover
- 2-point high visibility seatbelt
- Floor mat
- Coat hook
- "I"-pattern front wiper (Enclosed operator cabin)
- Top window with armoured glass (Enclosed operator cabin)
- 7" Integrated performance display
- Accutouch mini levers hydraulic control integrated in control arm
- Steering wheel with spinner knob
- Directional control on Mini-levers or Joystick
- Park brake - manual
- Heater with adjustable speed fan (enclosed operator cabin)
- Telescoping and tilting steering column
- USB outlet inside armrest
- Interior wide angle mirrors
- Halogen work lights
- Two rearward work lights mounted on the cabin
- LED stop/tail/brake lights
- Turn signals, hazard and marker lights (LED)
- Electric horn 105 dBA
- Truck Start with key switch and start button
- Power distribution group with fuses
- Non-lockable fuel cap
- 24 volt electrical system
- Yale Gold paint base truck
- Literature package
- Operator's manual
- CE certification
- 24 Months / 4000 Hours Parts manufacturer's warranty

Optional equipment all trucks

- Heavy duty air intake (raised)
- High mount exhaust
- Speed limiter - unconditional and customer adjustable
- Travel speed limiter - loaded (adjustable)
- Hydraulic accumulator
- Hydraulic system temperature protection
- Mast tilt indicator - mechanical
- Enclosed operator cabin
- Powered tilt operator compartment for service
- Air suspension seat
- Deluxe air suspension seat
- High backrest seat
- Additional armrest on left side
- Cloth seat cover
- Seat heating

Optional equipment all trucks (continued)

- Seat ventilation
- Lateral seat sliding mechanism
- "H"-pattern front wiper (Enclosed operator cabin)
- Front, top and rear wipers with individual controlled washers
- Tinted operator compartment windows (all)
- Tinted operator compartment top window
- Plexiglass shield in front of front window
- Wire mesh installed on top of operator compartment
- Steel bars under armoured glass top window (enclosed operator cabin)
- Operator shield wire mesh
- Joystick hydraulic control integrated in control arm
- Directional control lever
- FDC pedal directional control
- Park brake - automatic
- Diesel fueled cabin heater
- 24-12 DC converter with 2 sockets and 2 USB outlets
- Automatic climate control
- Reading light
- Sun shades on top and rear
- Sun visors front window
- Trainer seat
- Recirculation fan
- Accessory mounting bar on cab front right pillar
- Document holder on cab front right pillar
- Heated top- and/or rear window
- Radio preparation set-up (wiring, two speakers and antenna)
- Bluetooth radio with 2 speakers and antenna
- Exterior mirrors mounted to cab
- Rear view camera system
- Radar object detection system
- LED work lights
- High Performance LED work lights
- Two head lights mounted on front fenders
- Mast mounted work lights
- Four cabin mounted work lights
- Air horn 112 dBA
- Visible alarm – Amber strobe light, key switch activated
- Audible alarm – reverse direction activated 82–102 dB(A), self-adjusting
- Audible alarm – reverse direction white noise
- Forward / reverse motion alarm
- Blue LED spotlight – rear / front and rear
- Seatbelt interlock for engine start
- Tyre pressure monitoring system
- Air-conditioning or automatic climate control off with open door
- Automatic truck shutdown with timer
- Lockable battery disconnect switch
- Battery jump start connector (NATO plug)
- Operator password (display) for truck start
- Seatbelt interlock for truck start
- Fuses partially replaced by electric circuit breakers
- Lockable fuel cap
- Diesel fuel inlet strainer in filler neck
- Yale Vision wireless asset management system
- Yale Vision wireless asset management - Access / Verification
- Yale Vision wireless asset management - Monitoring
- Auto greasing system for basic truck and outer mast
- Steer wheel lug nut protection
- Front mud flaps
- Rear mud flaps
- Lifting eyes - 2 front and 2 rear
- Special paint base truck
- Operator compartment special paint (outside only)
- Hazard warning striping on counterweight
- 12 Months / 2000 Hours Parts manufacturer's warranty

Standard equipment

GDP90DF(L), GDP100DF, GDP120DF

- 10.00 - 20 16PR Pneumatic Bias Ply drive and steer tyres
- 90cc Dual pump hydraulic system
- 2 stage Non Free Lift 9t and 12t mast
- Mast tilt - 15° forward / 12° back
- 2400mm (94.3") Pin type standard carriage

GDP130EF(S), GDP130EF, GDP140EF(S), GDP140EF, GDP160EF, GDP120EF12

- 12.00 - 20 20PR Trelleborg Pneumatic Bias Ply drive and steer tyres
- 126cc dual pump hydraulic system
- 2 Stage Non Free Lift 16T mast
- Mast tilt - 15° forward / 12° back
- 2400mm (94.3") Pin type standard carriage

GDP160EF(S)12 GDP160EF12

- 12.00 - 20 20 Pneumatic Bias Drive tyres
- 126cc dual pump hydraulic system
- 2 Stage Non Free Lift mast 18t
- Mast tilt - 6° forward / 10° back
- 2540mm (100") Pin type carriage with mechanical fork locks
- 2440mm (96") length integral fork

Optional equipment

GDP90DF(L), GDP100DF, GDP120DF

- 10.00 - R20 Radial Michelin XZM drive and steer tyres
- 10.00 - R20 Radial Trelleborg drive and steer tyres
- 10.00 - 20 Pneumatic Shaped Solid drive and steer tyres
- Spare wheels and tyres
- 111cc Dual pump hydraulic system
- Four mast mounted work lights
- 2 Stage Full Free Lift 12t mast (can be used on lower capacity models)
- 3 Stage Full Free Lift 12t mast (can be used on lower capacity models)
- Mast tilt - 5° forward / 6° back
- Mast tilt - 5° forward / 12° back
- Mast tilt - 15° forward / 10° back
- Mast tilt - 20.5° forward / 7° back
- 2400mm (94.3") Pin type carriage with simultaneous and independent fork positioner
- 2400mm (94.3") Pin type integral sideshift carriage
- 2400mm (94.3") Pin type integral sideshift carriage with simultaneous fork positioner
- 2400mm (94.3") Pin type integral sideshift carriage with simultaneous and independent fork positioner
- 2400mm (94.5") QD Hook type dual function sideshift carriage with simultaneous and independent fork positioner
- 2400mm (94.4") QD Hook type dual function sideshift carriage with simultaneous fork positioner and 2 auxiliary functions
- 2500mm (98") High load backrest (for lumber applications)
- 1760mm (69") High load backrest
- 2010mm (79") High load backrest
- Pin type forks (various sizes)
- Hook type quick disconnect DFSSFP forks (various sizes)

Optional equipment (continued)

GDP130EF(S), GDP130EF, GDP140EF(S), GDP140EF, GDP160EF, GDP120EF12

- 12.00 - R20 Michelin XZM Radial drive and steer tyres
- 12.00 - R20 Trelleborg Radial drive and steer tyres
- 12.00 - 20 Pneumatic Shaped Solid drive and steer tyres
- Spare wheels and tyres
- Four mast mounted work lights
- 2 Stage Full Free Lift 16T mast
- 3 Stage Full Free Lift 16T mast
- Mast tilt - 5° forward / 6° back
- Mast tilt - 5° forward / 12° back
- Mast tilt - 15° forward / 10° back
- Mast tilt - 20.5° forward / 7° back
- 2400mm (94.3") Pin type carriage with simultaneous and independent fork positioner
- 2400mm (94.3") Pin type integral sideshift carriage
- 2400mm (94.3") Pin type integral sideshift carriage with simultaneous fork positioner
- 2400mm (94.3") Pin type integral sideshift carriage with simultaneous and independent fork positioner
- 2400mm (94.5") QD Hook type dual function sideshift carriage with simultaneous and independent fork positioner
- 2400mm (94.4") QD Hook type dual function sideshift carriage with simultaneous fork positioner and 2 auxiliary functions
- 2500mm (98") high load backrest (for lumber applications)
- 1760mm (69") high load backrest
- 2010mm (79") high load backrest
- Pin type forks (various sizes)
- Pin type forks for lumber applications
- Hook type quick disconnect DFSSFP forks (various sizes)

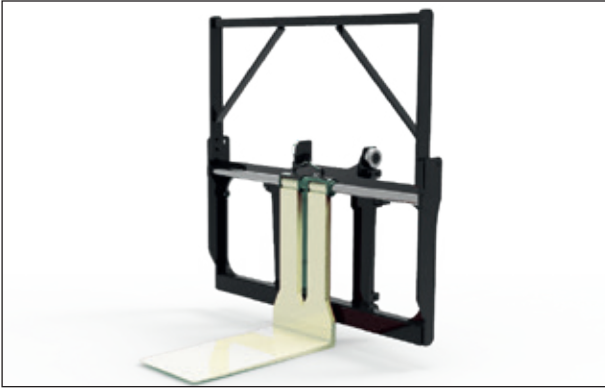
GDP160EF(S)12 GDP160EF12

- 12.00 - R20 Michelin XZM Radial drive and steer tyres
- Two mast mounted work lights
- 2 Stage Full Free Lift mast 18t
- 3 Stage Full Free Lift mast 18t
- Mast tilt - 10.5° forward / 12° back
- Mast tilt - 15° forward / 10° back
- 2540mm (100") Dual function sideshift carriage with individual fork positioner with integral forks
- 2540mm (100") Pin type carriage with individual fork positioner
- 2540mm (100") Pin type apron-style sideshift carriage
- 2540mm (100") Pin type apron-style sideshift carriage with individual fork positioner
- 2540mm (100") Hook type dual function sideshift carriage with individual fork positioner with Quick Disconnect forks
- Simultaneous fork positioning
- 2440mm (96") length pin type forks
- 2440mm (96") length hook type forks

* Standard or optional in selected markets. Other options available through Special Products Engineering Department (SPED). Contact Yale for details.

Front End equipment GDP90-160DF/EF

Pin type carriage with simultaneous and independent fork positioner (for Lumber applications).



Pin type standard carriage.



Pin type carriage with simultaneous and independent fork positioner.



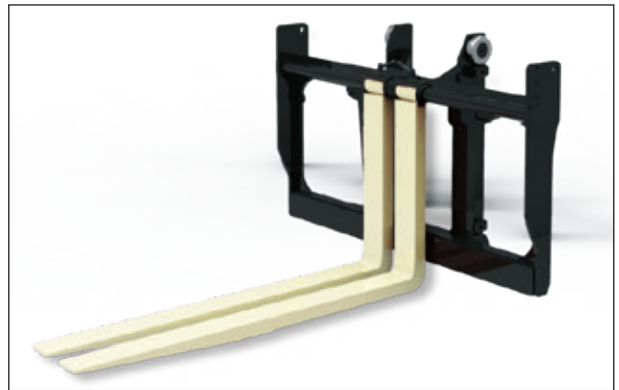
Pin type integral Sideshift frame carriage.



Pin type integral Sideshift frame carriage.



Pin type frame carriage.



QD hook type Dual Function sideshift with simultaneous and independent fork positioner.



Front End equipment GDP160EF(S)12

Range of pin type and hook type forks.



Pin type carriage without fork positioner.



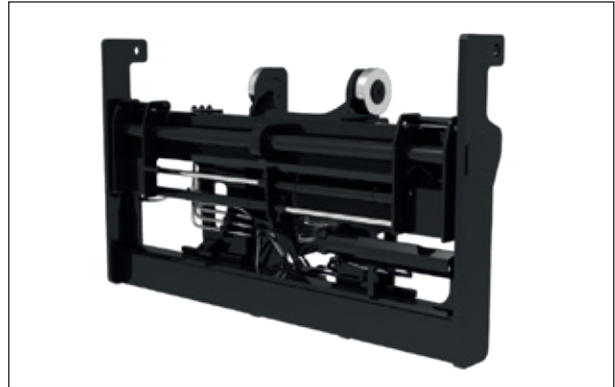
Pin type carriage with fork positioner.



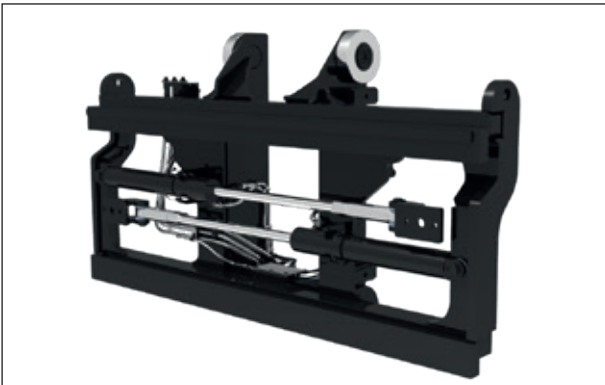
Pin type integral sideshift frame carriage without fork positioner.



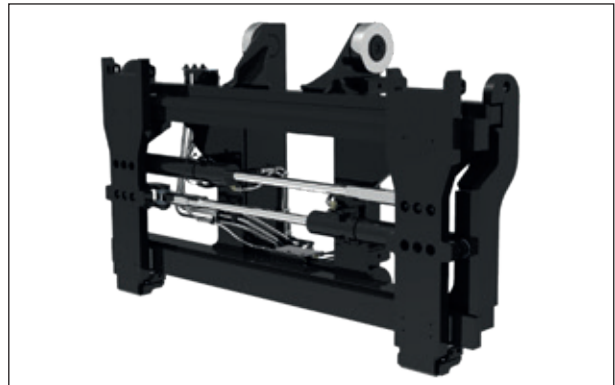
Pin type integral sideshift frame carriage without fork positioner.



Integral hook type dual function sideshift carriage with fork positioner.



QD hook type dual function sideshift carriage with fork positioner.



About Yale®



Yale is a leading global manufacturer and supplier of high-quality counterbalance forklift trucks, warehouse equipment and fleet solutions. 'People, products and productivity' sums up our approach to the materials handling business. With over 140 years' experience, we are proud of our reputation as an innovative, forward-thinking manufacturer.

Yale dealerships provide flexible truck servicing solutions and are linked to one of the industry's most sophisticated parts distribution operations. You'll find support for Yale forklifts throughout the EMEA region – provided by a big regional footprint stretching through Europe, Middle East and Africa.

Materials handling for:



Automotive



Beverage



Chemical



Construction



Food



Logistics



Metals



Paper



Retail



Wood

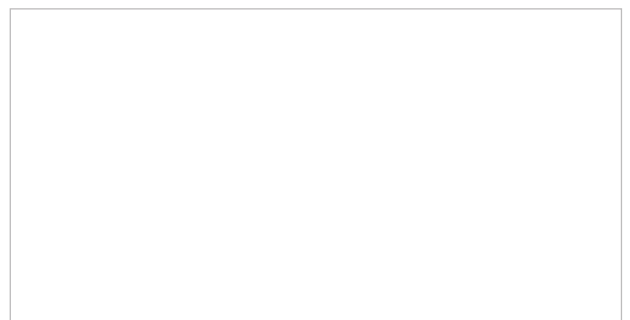
Yale Europe Materials Handling

Centennial House, Frimley Business Park,
Frimley, Surrey GU16 7SG
United Kingdom

Tel: +44 (0) 1276 538500

Fax: +44 (0) 1276 538559

www.yale.com



Publication part no. 220991386 Rev.01 Printed in The Netherlands (1022HG) EN.

HYSTER-YALE UK LIMITED trading as Yale Europe Materials Handling.

Safety: This truck conforms to the current EU requirements.

Specification is subject to change without notice.

©2022 Yale. All rights reserved. YALE, and PEOPLE. PRODUCTS. PRODUCTIVITY. are trademarks of Hyster-Yale Group, Inc. is a registered copyright of Hyster-Yale Group, Inc.

Trucks shown with optional equipment. Country of Registration: England and Wales.

Company Registration Number: 02636775.