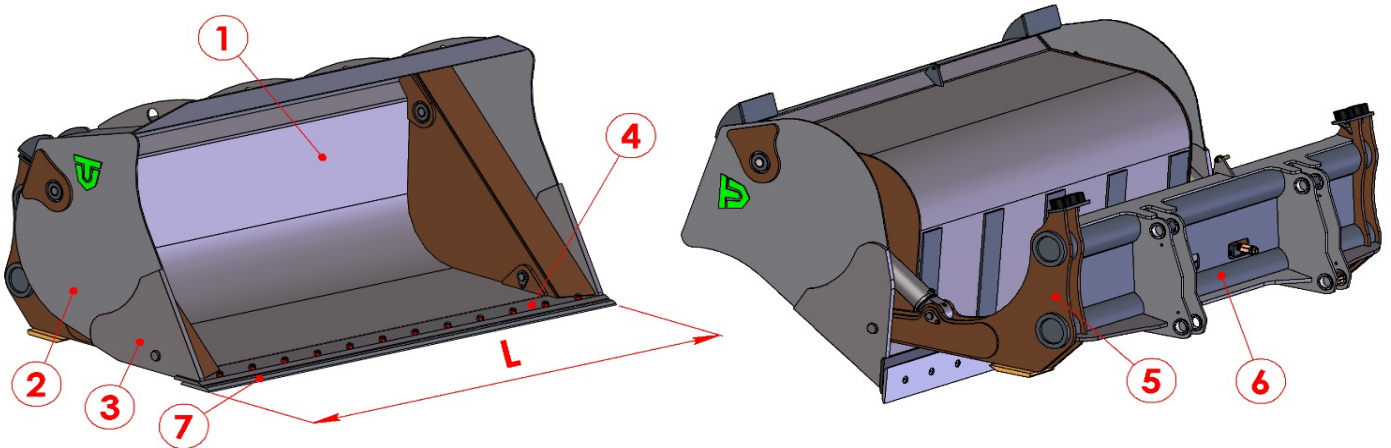


BENNA MATERIALI LEGGERI AD ALTO SCARICO tipo "B" per pale caricatori
LIGHT MATERIAL HIGH TILTING BUCKET "B" type for loading shovels
GODET MATERIAUX LEGERES A HAUT DEVERSEMENT type "B" pour chargeurs
CUCHARA MATERIAL LIJEROS DE ALTO VOLTEO modelo "B" para pala cargadoras
LEICHT MATERIAL HOCHKIPSCHAUFEL Modell "B" für Lader



| Codice Code | L mm. | Cap. SAE m ³ colmo/heaped | Peso Kg. Weight | Peso Pala t. Loader Weight t. | Modello "B" Listino € "B" Model Price List € | | |
|---------------------------|----------|---|--------------------|----------------------------------|---|----------|-------------|
| VAS007A150 | 1500 | 0,7 | ~725 | Class L1 2 ÷ 6 ton | / | | |
| VAS008A160 | 1600 | 0,8 | ~ 750 | | / | | |
| VAS009A170 | 1700 | 0,9 | ~ 765 | | / | | |
| VAS010A180 | 1800 | 1,0 | ~ 785 | | / | | |
| VAS012A190 | 1900 | 1,2 | ~ 805 | | / | | |
| VAS014A200 | 2000 | 1,4 | ~ 830 | | / | | |
| VAS015A210 | 2100 | 1,5 | ~ 855 | | / | | |
| VAS016A220 | 2200 | 1,6 | ~ 875 | | / | | |
| | 1 | 2 | 3 | 4 | 5 | 6 | 7 |
| Materiale/Material | S355 | S355 | S355 | HB 400 | HB 400 | S355 | HB 400 |
| Spessore/Thickness | 5 mm | 5 mm | 10 mm | 20 mm | 10 mm | 12,5 mm | 200 x 20 mm |

| Codice Code | L mm. | Cap. SAE m ³ colmo/heaped | Peso Kg. Weight | Peso Pala t. Loader Weight t. | Modello "B" Listino € "B" Model Price List € | | |
|---------------------------|----------|---|--------------------|----------------------------------|---|----------|-------------|
| VAS014B205 | 2050 | 1,4 | ~ 1180 | Class L2 6,1 ÷ 10 ton | / | | |
| VAS015B215 | 2150 | 1,5 | ~ 1240 | | / | | |
| VAS017B225 | 2250 | 1,7 | ~ 1295 | | / | | |
| VAS020B225 | 2250 | 2,0 | ~ 1365 | | / | | |
| VAS022B235 | 2350 | 2,2 | ~ 1440 | | / | | |
| VAS025B245 | 2450 | 2,5 | ~ 1520 | | / | | |
| | 1 | 2 | 3 | 4 | 5 | 6 | 7 |
| Materiale/Material | HB 400 | S355 | HB 400 | HB 400 | HB 400 | S355 | HB 400 |
| Spessore/Thickness | 6 mm | 6 mm | 12 mm | 20 mm | 15 mm | 20 mm | 200 x 20 mm |

Il peso indicato può variare a seconda del tipo di attacco (standard, a.r.) e di sottolama (foratura originale o su richiesta)

The mentioned weight can vary according to the coupling system (standard, q.c.) and for bob (original drilling or upon request)

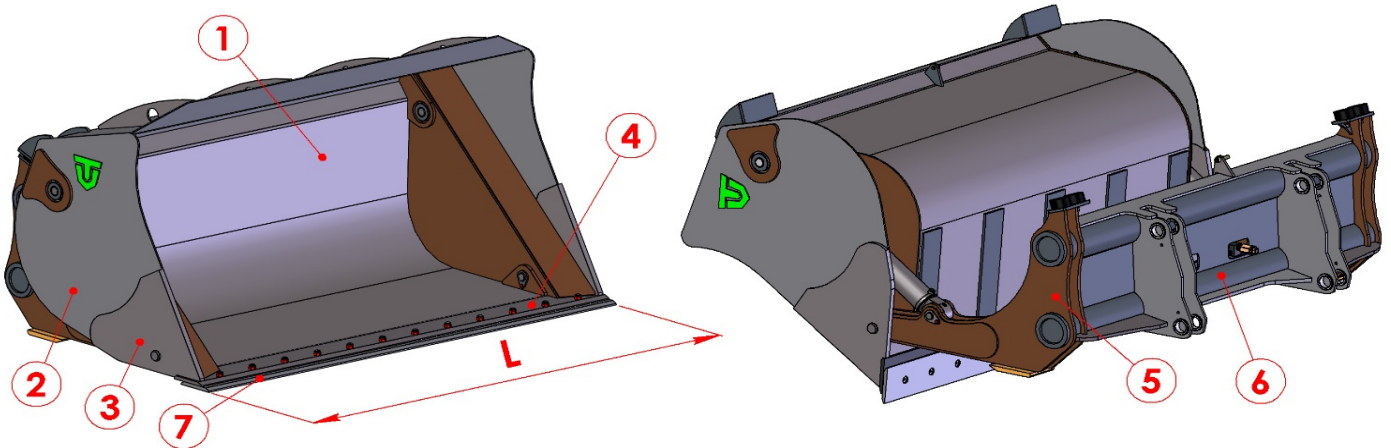
Le poids indiqué peut changer en fonction du type d'attaque (standard, a.r.) et contrelame (perçage d'origine ou sur demande)

El peso puede variar dependiendo del tipo de enganche (estandar, a.r.) y de subcuchilla (perforacion originales o sobre solicitud)

Das Gewicht kann, abhängig von dem Wechsler (Standard, SW) und von dem Untermesser (original Bohr-oder auf Anfrage)



BENNA MATERIALI LEGGERI AD ALTO SCARICO tipo "B" per pale caricatrici
LIGHT MATERIAL HIGH TILTING BUCKET "B" type for loading shovels
GODET MATERIAUX LEGERES A HAUT DEVERSEMENT type "B" pour chargeurs
CUCHARA MATERIAL LIJEROS DE ALTO VOLTEO modelo "B" para pala cargadoras
LEICHT MATERIAL HOCHKIPSCHAUFEL Modell "B" für Lader



| Codice Code | L mm. | Cap. SAE m ³ colmo/heaped | Peso Kg. Weight | Peso Pala t. Loader Weight t. | Modello "B" Listino € "B" Model Price List € | | |
|---------------------------|----------|---|--------------------|----------------------------------|---|----------|-------------|
| VAS020C240 | 2400 | 2,0 | ~ 1545 | Class L3 10,1 ÷ 13 ton | / | | |
| VAS025C250 | 2500 | 2,5 | ~ 1660 | | / | | |
| VAS025C260 | 2600 | 2,5 | ~ 1710 | | / | | |
| VAS027C260 | 2600 | 2,7 | ~ 1780 | | / | | |
| VAS030C260 | 2600 | 3,0 | ~ 1820 | | / | | |
| VAS030C265 | 2650 | 3,0 | ~ 1860 | | / | | |
| | 1 | 2 | 3 | 4 | 5 | 6 | 7 |
| Materiale/Material | HB 400 | S355 | HB 400 | HB 400 | HB 400 | S355 | HB 400 |
| Spessore/Thickness | 6 mm | 6 mm | 12 mm | 20 mm | 15 mm | 20 mm | 250 x 25 mm |

| Codice Code | L mm. | Cap. SAE m ³ colmo/heaped | Peso Kg. Weight | Peso Pala t. Loader Weight t. | Modello "B" Listino € "B" Model Price List € | | |
|---------------------------|----------|---|--------------------|----------------------------------|---|----------|-------------|
| VAS025D255 | 2550 | 2,5 | ~ 1760 | Class L4 13,1 ÷ 15 ton | / | | |
| VAS027D255 | 2550 | 2,7 | ~ 1800 | | / | | |
| VAS030D255 | 2550 | 3,0 | ~ 1850 | | / | | |
| VAS030D260 | 2600 | 3,0 | ~ 1900 | | / | | |
| VAS035D260 | 2600 | 3,5 | ~ 1960 | | / | | |
| VAS035D275 | 2750 | 3,5 | ~ 2025 | | / | | |
| VAS040D275 | 2750 | 4,0 | ~ 2160 | | / | | |
| | 1 | 2 | 3 | 4 | 5 | 6 | 7 |
| Materiale/Material | HB 400 | S355 | HB 400 | HB 400 | HB 400 | S355 | HB 400 |
| Spessore/Thickness | 6 mm | 8 mm | 15 mm | 25 mm | 20 mm | 25 mm | 250 x 25 mm |

Benna completa di attacchi e sottolama

Bucket complete with link bracket and bolt-on-blade

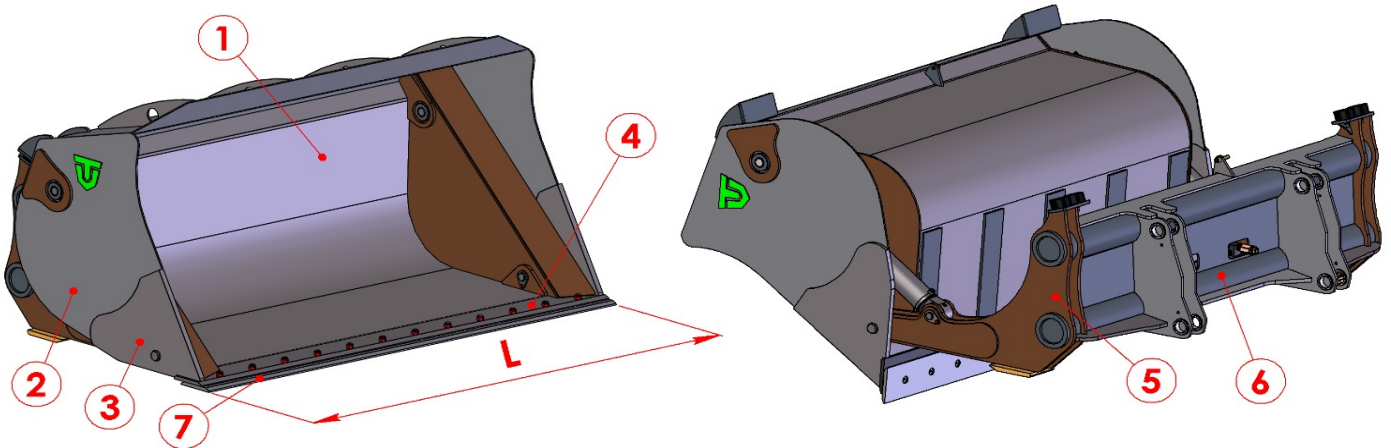
Godet complet avec attaches et contre lame

Cucharon completo de ataques y subcuchilla

Löffel mit Kupplungen und Untermesser



BENNA MATERIALI LEGGERI AD ALTO SCARICO tipo "B" per pale caricatori
LIGHT MATERIAL HIGH TILTING BUCKET "B" type for loading shovels
GODET MATERIAUX LEGERES A HAUT DEVERSEMENT type "B" pour chargeurs
CUCHARA MATERIAL LIJEROS DE ALTO VOLTEO modelo "B" para pala cargadoras
LEICHT MATERIAL HOCHKIPSCHAUFEL Modell "B" für Lader



| Codice Code | L mm. | Cap. SAE m ³ colmo/heaped | Peso Kg. Weight | Peso Pala t. Loader Weight t. | Modello "B" Listino € "B" Model Price List € | | |
|---------------------------|----------|---|--------------------|----------------------------------|---|----------|-------------|
| VAS035E275 | 2750 | 3,5 | ~ 2130 | Class L5 15,1 ÷ 19 ton | / | | |
| VAS040E275 | 2750 | 4,0 | ~ 2270 | | / | | |
| VAS045E275 | 2750 | 4,5 | ~ 2380 | | / | | |
| VAS045E300 | 3000 | 4,5 | ~ 2490 | | / | | |
| VAS050E300 | 3000 | 5,0 | ~ 2580 | | / | | |
| VAS055E300 | 3000 | 5,5 | ~ 2700 | | / | | |
| VAS060E300 | 3000 | 6,0 | ~ 2800 | | / | | |
| | 1 | 2 | 3 | | 4 | 5 | 6 |
| Materiale/Material | HB 400 | S355 | HB 400 | HB 400 | HB 400 | S355 | HB 400 |
| Spessore/Thickness | 6 mm | 8 mm | 15 mm | 25 mm | 20 mm | 25 mm | 330 x 25 mm |

| Codice Code | L mm. | Cap. SAE m ³ colmo/heaped | Peso Kg. Weight | Peso Pala t. Loader Weight t. | Modello "B" Listino € "B" Model Price List € | | |
|---------------------------|----------|---|--------------------|----------------------------------|---|----------|-------------|
| VAS045F300 | 3000 | 4,5 | ~ 2750 | Class L6 19,1 ÷ 25 ton | / | | |
| VAS050F300 | 3000 | 5,0 | ~ 2850 | | / | | |
| VAS060F300 | 3000 | 6,0 | ~ 2970 | | / | | |
| VAS070F300 | 3000 | 7,0 | ~ 3090 | | / | | |
| VAS070F325 | 3250 | 7,0 | ~ 3180 | | / | | |
| VAS080F325 | 3250 | 8,0 | ~ 3300 | | / | | |
| VAS090F325 | 3250 | 9,0 | ~ 3400 | | / | | |
| VAS090F340 | 3400 | 9,0 | ~ 3550 | | / | | |
| VAS120F340 | 3400 | 12,0 | ~ 4400 | | / | | |
| | 1 | 2 | 3 | | 4 | 5 | 6 |
| Materiale/Material | HB 400 | S355 | HB 400 | HB 400 | HB 400 | S355 | HB 400 |
| Spessore/Thickness | 8 mm | 8 mm | 20 mm | 35 mm | 20 mm | 25 mm | 330 x 25 mm |

Il peso indicato può variare a seconda del tipo di attacco (standard, a.r.) e di sottolama (foratura originale o su richiesta)

The mentioned weight can vary according to the coupling system (standard, q.c.) and for bob (original drilling or upon request)

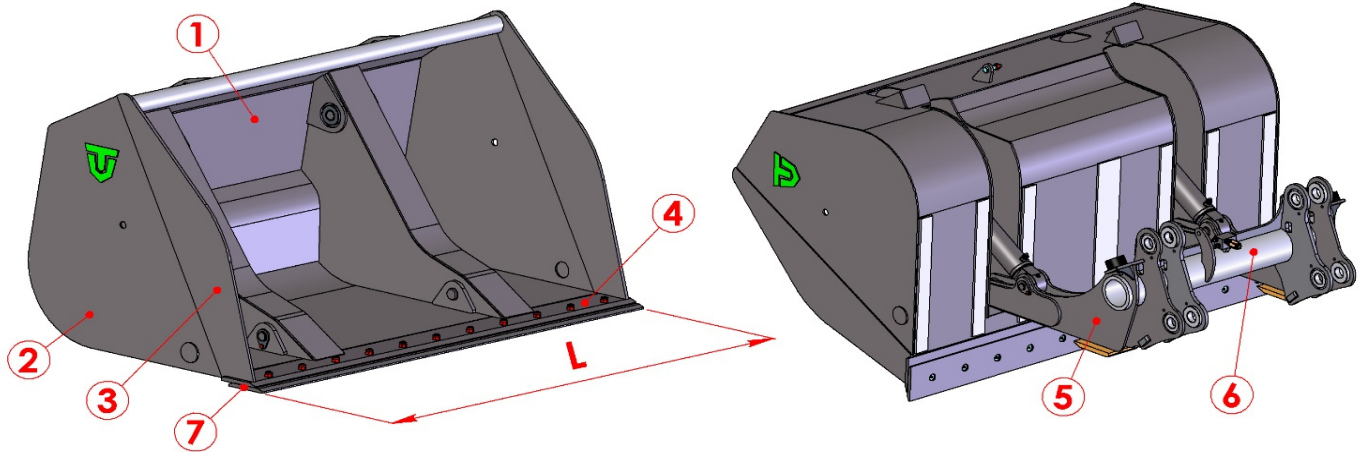
Le poids indiqué peut changer en fonction du type d'attaque (standard, a.r.) et contrelame (perçage d'origine ou sur demande)

El peso puede variar dependiendo del tipo de enganche (estandar, a.r.) y de subcuchilla (perforacion origianles o sobre solicitud)

Das Gewicht kann, abhängig von dem Wechsler (Standard, SW) und von dem Untermesser (original Bohr-oder auf Anfrage)



BENNA MATERIALI LEGGERI AD ALTO SCARICO tipo "A" per pale caricatrici
LIGHT MATERIAL HIGH TILTING BUCKET "A" type for loading shovels
GODET MATERIAUX LEGERES A HAUT DEVERSEMENT type "A" pour chargeurs
CUCHARA MATERIAL LIJEROS DE ALTO VOLTEO modelo "A" para pala cargadoras
LEICHT MATERIAL HOCHKIPSCHAUFEL Modell "A" für Lader



| Codice Code | L mm. | Cap. SAE m ³ colmo/heaped | Peso Kg. Weight | Peso Pala t. Loader Weight t. | Modello "A" Listino € "A" Model Price List € | | |
|---------------------------|----------|---|--------------------|----------------------------------|---|----------|-------------|
| VAR007A150 | 1500 | 0,7 | ~ 630 | Class L1 2 ÷ 6 ton | su richiesta on demand | | |
| VAR008A160 | 1600 | 0,8 | ~ 650 | | | | |
| VAR009A170 | 1700 | 0,9 | ~ 665 | | | | |
| VAR010A180 | 1800 | 1,0 | ~ 680 | | | | |
| VAR012A190 | 1900 | 1,2 | ~ 700 | | | | |
| VAR014A200 | 2000 | 1,4 | ~ 720 | | | | |
| VAR015A210 | 2100 | 1,5 | ~ 740 | | | | |
| VAR016A220 | 2200 | 1,6 | ~ 760 | | | | |
| | 1 | 2 | 3 | 4 | 5 | 6 | 7 |
| Materiale/Material | S355 | S355 | S355 | HB 400 | HB 400 | S355 | HB 400 |
| Spessore/Thickness | 5 mm | 5 mm | 10 mm | 20 mm | 10 mm | 12,5 mm | 200 x 20 mm |

| Codice Code | L mm. | Cap. SAE m ³ colmo/heaped | Peso Kg. Weight | Peso Pala t. Loader Weight t. | Modello "A" Listino € "A" Model Price List € | | |
|---------------------------|----------|---|--------------------|----------------------------------|---|----------|-------------|
| VAR014B205 | 2050 | 1,4 | ~ 1025 | Class L2 6,1 ÷ 10 ton | su richiesta on demand | | |
| VAR015B215 | 2150 | 1,5 | ~ 1075 | | | | |
| VAR017B225 | 2250 | 1,7 | ~ 1125 | | | | |
| VAR020B225 | 2250 | 2,0 | ~ 1185 | | | | |
| VAR022B235 | 2350 | 2,2 | ~ 1250 | | | | |
| VAR025B245 | 2450 | 2,5 | ~ 1320 | | | | |
| | 1 | 2 | 3 | 4 | 5 | 6 | 7 |
| Materiale/Material | HB 400 | S355 | HB 400 | HB 400 | HB 400 | S355 | HB 400 |
| Spessore/Thickness | 6 mm | 6 mm | 12 mm | 20 mm | 15 mm | 20 mm | 200 x 20 mm |

Il peso indicato può variare a seconda del tipo di attacco (standard, a.r.) e di sottolama (foratura originale o su richiesta)

The mentioned weight can vary according to the coupling system (standard, q.c.) and for bob (original drilling or upon request)

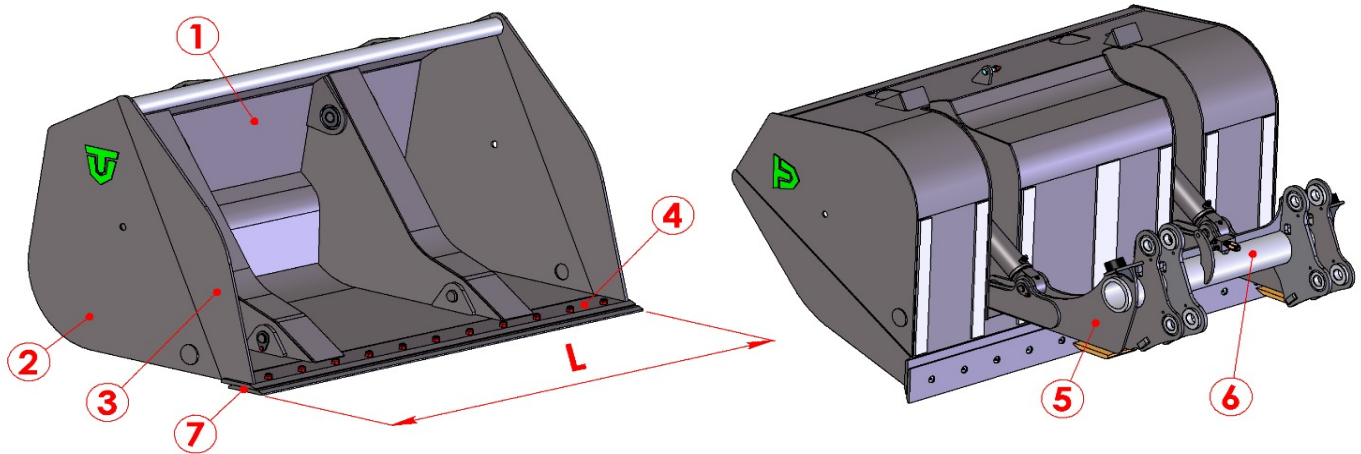
Le poids indiqué peut changer en fonction du type d'attaque (standard, a.r.) et contrelame (perçage d'origine ou sur demande)

El peso puede variar dependiendo del tipo de enganche (estandar, a.r.) y de subcuchilla (perforacion originiales o sobre solicitud)

Das Gewicht kann, abhängig von dem Wechsler (Standard, SW) und von dem Untermesser (original Bohr-oder auf Anfrage)



BENNA MATERIALI LEGGERI AD ALTO SCARICO tipo "A" per pale caricatori
LIGHT MATERIAL HIGH TILTING BUCKET "A" type for loading shovels
GODET MATERIAUX LEGERES A HAUT DEVERSEMENT type "A" pour chargeurs
CUCHARA MATERIAL LIJEROS DE ALTO VOLTEO modelo "A" para pala cargadoras
LEICHT MATERIAL HOCHKIPSCHAUFEL Modell "A" für Lader



| Codice Code | L mm. | Cap. SAE m ³ colmo/heaped | Peso Kg. Weight | Peso Pala t. Loader Weight t. | Modello "A" Listino € "A" Model Price List € | | |
|---------------------------|----------|---|--------------------|----------------------------------|---|-------|-------------|
| VAR020C240 | 2400 | 2,0 | ~ 1350 | Class L3 10,1 ÷ 13 ton | su richiesta on demand | | |
| VAR025C250 | 2500 | 2,5 | ~ 1450 | | | | |
| VAR025C260 | 2600 | 2,5 | ~ 1485 | | | | |
| VAR027C260 | 2600 | 2,7 | ~ 1550 | | | | |
| VAR030C260 | 2600 | 3,0 | ~ 1600 | | | | |
| VAR030C265 | 2650 | 3,0 | ~ 1620 | | | | |
| | 1 | 2 | 3 | 4 | 5 | 6 | 7 |
| Materiale/Material | HB 400 | S355 | HB 400 | HB 400 | HB 400 | S355 | HB 400 |
| Spessore/Thickness | 6 mm | 6 mm | 12 mm | 20 mm | 15 mm | 20 mm | 250 x 25 mm |

| Codice Code | L mm. | Cap. SAE m ³ colmo/heaped | Peso Kg. Weight | Peso Pala t. Loader Weight t. | Modello "A" Listino € "A" Model Price List € | | |
|---------------------------|----------|---|--------------------|----------------------------------|---|-------|-------------|
| VAR025D255 | 2550 | 2,5 | ~ 1600 | Class L4 13,1 ÷ 15 ton | su richiesta on demand | | |
| VAR027D255 | 2550 | 2,7 | ~ 1640 | | | | |
| VAR030D255 | 2550 | 3,0 | ~ 1680 | | | | |
| VAR030D260 | 2600 | 3,0 | ~ 1730 | | | | |
| VAR035D260 | 2600 | 3,5 | ~ 1780 | | | | |
| VAR035D275 | 2750 | 3,5 | ~ 1850 | | | | |
| VAR040D275 | 2750 | 4,0 | ~ 1950 | | | | |
| | 1 | 2 | 3 | 4 | 5 | 6 | 7 |
| Materiale/Material | HB 400 | S355 | HB 400 | HB 400 | HB 400 | S355 | HB 400 |
| Spessore/Thickness | 6 mm | 8 mm | 15 mm | 25 mm | 20 mm | 25 mm | 250 x 25 mm |

Il peso indicato può variare a seconda del tipo di attacco (standard, a.r.) e di sottolama (foratura originale o su richiesta)

The mentioned weight can vary according to the coupling system (standard, q.c.) and for bob (original drilling or upon request)

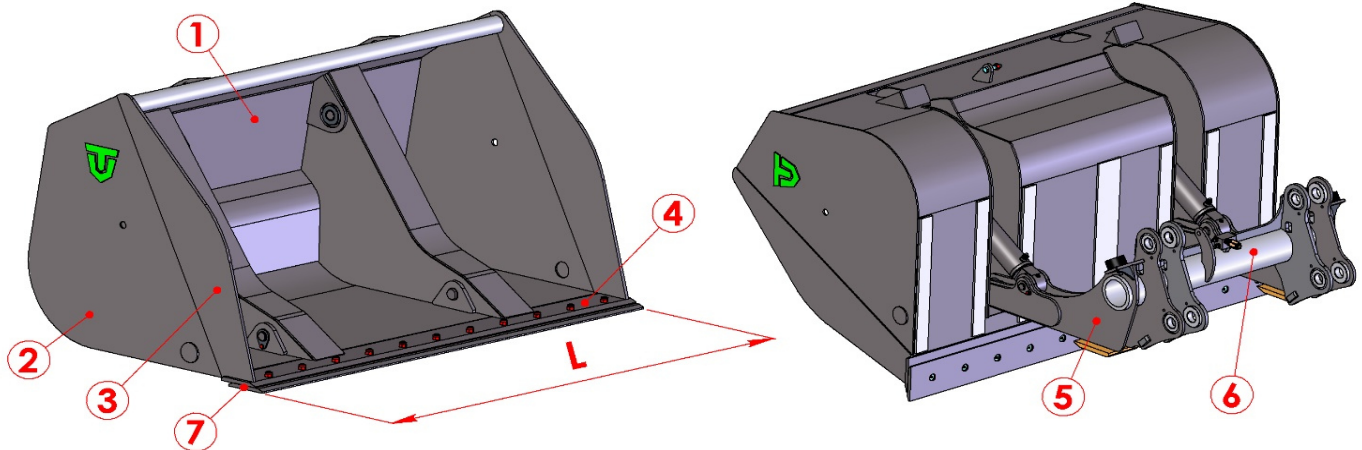
Le poids indiqué peut changer en fonction du type d'attaque (standard, a.r.) et contrelame (perçage d'origine ou sur demande)

El peso puede variar dependiendo del tipo de enganche (estandar, a.r.) y de subcuchilla (perforacion origianles o sobre solicitud)

Das Gewicht kann, abhängig von dem Wechsler (Standard, SW) und von dem Untermesser (original Bohr-oder auf Anfrage)



**BENNA MATERIALI LEGGERI AD ALTO SCARICO tipo "A" per pale caricatrici
 LIGHT MATERIAL HIGH TILTING BUCKET "A" type for loading shovels
 GODET MATERIAUX LEGERES A HAUT DEVERSEMENT type "A" pour chargeurs
 CUCHARA MATERIAL LIJEROS DE ALTO VOLTEO modelo "A" para pala cargadoras
 LEICHT MATERIAL HOCHKIPSCHAUFEL Modell "A" für Lader**



| Codice Code | L mm. | Cap. SAE m ³ colmo/heaped | Peso Kg. Weight | Peso Pala t. Loader Weight t. | Modello "A" Listino € "A" Model Price List € | | |
|---------------------------|----------|---|--------------------|----------------------------------|---|----------|-------------|
| VAR035E275 | 2750 | 3,5 | ~ 1940 | Class L5 15,1 ÷ 19 ton | su richiesta on demand | | |
| VAR040E275 | 2750 | 4,0 | ~ 2060 | | | | |
| VAR045E275 | 2750 | 4,5 | ~ 2160 | | | | |
| VAR045E300 | 3000 | 4,5 | ~ 2260 | | | | |
| VAR050E300 | 3000 | 5,0 | ~ 2350 | | | | |
| VAR055E300 | 3000 | 5,5 | ~ 2450 | | | | |
| VAR060E300 | 3000 | 6,0 | ~ 2550 | | | | |
| | 1 | 2 | 3 | 4 | 5 | 6 | 7 |
| Materiale/Material | HB 400 | S355 | HB 400 | HB 400 | HB 400 | S355 | HB 400 |
| Spessore/Thickness | 6 mm | 8 mm | 15 mm | 25 mm | 20 mm | 25 mm | 330 x 25 mm |

| Codice Code | L mm. | Cap. SAE m ³ colmo/heaped | Peso Kg. Weight | Peso Pala t. Loader Weight t. | Modello "A" Listino € "A" Model Price List € | | |
|---------------------------|----------|---|--------------------|----------------------------------|---|----------|-------------|
| VAR045F300 | 3000 | 4,5 | ~ 2500 | Class L6 19,1 ÷ 25 ton | su richiesta on demand | | |
| VAR050F300 | 3000 | 5,0 | ~ 2600 | | | | |
| VAR060F300 | 3000 | 6,0 | ~ 2700 | | | | |
| VAR070F300 | 3000 | 7,0 | ~ 2800 | | | | |
| VAR070F325 | 3250 | 7,0 | ~ 2900 | | | | |
| VAR080F325 | 3250 | 8,0 | ~ 3000 | | | | |
| VAR090F325 | 3250 | 9,0 | ~ 3100 | | | | |
| VAR090F340 | 3400 | 9,0 | ~ 3200 | | | | |
| VAR120F340 | 3400 | 12,0 | ~ 4000 | | | | |
| | 1 | 2 | 3 | 4 | 5 | 6 | 7 |
| Materiale/Material | HB 400 | S355 | HB 400 | HB 400 | HB 400 | S355 | HB 400 |
| Spessore/Thickness | 8 mm | 8 mm | 20 mm | 35 mm | 20 mm | 25 mm | 330 x 25 mm |

Benna completa di attacchi e sottolama

Bucket complete with link bracket and bolt-on-blade

Godet complet avec attaches et contre lame

Cucharon completo de ataques y subcuchilla

Löffel mit Kupplungen und Untermesser

