

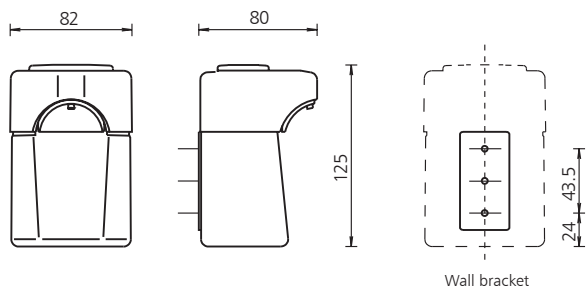
ingo-top® EP • KP

dispenser for liquid soaps, washing ups, lotions etc.
with disposable bottles, refillable
free choosable products



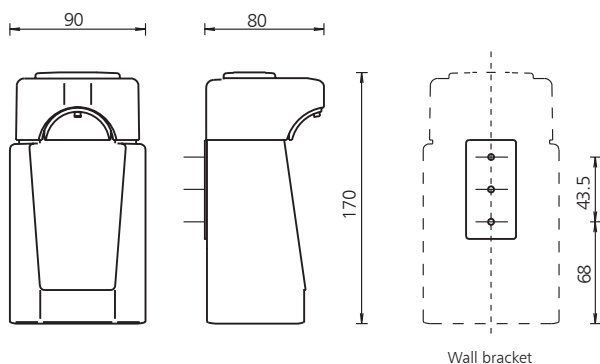
Ophardt Hygiene-Technik GmbH + Co. KG
Lindenau 27 • D-47661 Issum
Tel.: +49 2835 18-0 • Fax: +49 2835 18-77
E-Mail: info@ophardt.com • www.ophardt.com

ingo-top EP 250 • ingo-top KP 250



Dimensions (approx.) in mm

ingo-top EP 500 • ingo-top KP 500



Dimensions (approx.) in mm

Soap dispenser

- ▶ for dosing of liquid soaps, alcoholic-based disinfectants, washing up liquids, showers, shampoos lotions, baby-oels etc.

References: ▶ for universal application, ideal for hotel baths and privat kitchen, showers and WC
▶ dishwasher-proof

Place of application:

- ▶ washrooms, toilets, baths, care and medical rooms, kitchens

Technical Data EP • KP

Housing: Plastic, white
Bottle: Polyethylen-(HDPE-)bottle, 250 ml or 500 ml, refillable
Push button: Plastic
Dosing pump: Stainless steel or plastic, approx. 0,6 ml/stroke
Wall bracket: Plastic
Wall mounting: with two plugs and screws suitable for wall mounitng or free standing

Description for tender

..... pcs. **ingo-top EP 250 Art.-No. 111001**
dispenser for liquid soaps, white with stainless steel pump, 250 ml receptacle
Dimensions: W 82 x H 125 x D 80 mm

..... pcs. **ingo-top KP 250 Art.-No. 105101**
dispenser for liquid soaps, white with plastic pump, 250 ml receptacle
Dimensions: W 82 x H 125 x D 80 mm

..... pcs. **ingo-top EP 500 Art.-No. 128200**
dispenser for liquid soaps, white with plastic pump, 500 ml receptacle
Dimensions: W 90 x H 170 x D 80 mm

..... pcs. **ingo-top KP 500 Art.-No. 312400**
dispenser for liquid soaps, white with stainless steel pump, 500 ml receptacle
Dimensions: W 90 x H 170 x D 80 mm

Product: **ingo-top®**
Manufacturer: OPHARDT HYGIENE-TECHNIK GmbH + Co. KG