

37X Ultra Low Light Weather-Proof PTZ Dome Camera

# SPU-3700



## Specifications

	SPU-3700N	SPU-3700P
<b>ELECTRICAL</b>		
Input Voltage	24V AC ±10%	
Power Consumption	58W (With fan/heater), 15W (Without fan/heater)	
<b>VIDEO</b>		
Imaging Device	1/4" Super HAD CCD	
Total Pixels	811(H) x 508(V)	795(H) x 596(V)
Effective Pixels	768(H) x 494(V)	752(H) x 582(V)
Scanning System	2 : 1 Interlace	
Synchronization	Internal / AC line lock	
Frequency	H : 15.734KHz / V : 59.94Hz	H : 15.625KHz / V : 50Hz
Horizontal Resolution	Color : 550TV lines (Min.) / B/W : 680TV lines (Min.)	
Min. Illumination	Color : 0.4Lux (50 IRE@F1.6), 0.001Lux (Sens-up, 256X) / B/W : 0.02Lux (50 IRE@F1.6)	
S / N (Y signal)	50dB	
Video Output	CVBS : 1.0Vp-p / 75	
<b>LENS</b>		
Zoom Ratio	37X (Optical), 12X (Digital)	
Focal Length	3.5 ~ 129.5mm (F1.6 ~ 3.9)	
Max. Aperture Ratio	1 : 1.6 (Wide) ~ 3.9 (Tele)	
Min. Object Distance	1.8m (5.91ft)	
Angular Field of View	H : 55.5°(Wide) ~ 1.59°(Tele) / V : 42.5°(Wide) ~ 1.19°(Tele)	
Focus	Auto / Manual / One-shot	
Zoom Movement Speed	2.5sec	
Iris Control	Auto / Manual	
<b>PAN / TILT</b>		
Pan Range	360° Endless	
Pan Speed	Preset : 500°/sec / Manual : 0.024°/sec ~ 120°/sec (Proportional zoom ratio)	
Tilt Range	-5° ~ 185°	
Tilt Speed	Preset : 500°/sec / Manual : 0.024°/sec ~ 120°/sec (Proportional zoom ratio)	
Preset Positions	255	
Preset Accuracy	±0.1°	
PTZ Mode	Preset, Swing, Group, Tour	
<b>OPERATIONAL</b>		
On Screen Display	Built-in (Multi-language support)	
Camera Title	On / Off	
ID (Camera Address)	1 ~ 255	
Day & Night	Auto (ICR) / Color / B/W	
Backlight Compensation	BLC / HLC / Off	
Motion Detection	On / Off	
Digital Image Stabilization	On / Off	
Privacy Masking	On / Off (8 Programmable zones)	
3D Noise Filter (SSNRII)	Low / Medium / High / Off	
Sens-up (Frame Integration)	On / Off (Selectable limit ~ 256X)	
Gain Control	Low / Medium / High / Manual / Off	
White Balance	ATW / AWC / Manual / Indoor / Outdoor	
Electronic Shutter Speed	Auto (1/60 ~ 1/120,000sec) / Manual / A.FLK	Auto (1/50 ~ 1/120,000sec) / Manual / A.FLK
Communication	RS-485/422, Coaxial control	
Protocol	Samsung Techwin, Pelco-D, Pelco-P, Panasonic, Honeywell, AD, Vicon, Samsung Electronics, GE, Bosch	
Alarm	3 In, 1 Out, 1 Aux	
Auto Digital Flip	On / Off	
<b>ENVIRONMENTAL</b>		
Operating Temperature / Humidity	-50°C ~ +50°C / 20% ~ 80% RH	
<b>MECHANICAL</b>		
Dimension (WxH)	Ø248 x 331mm (Ø9.76" x 13.03")	
Weight	4.5Kg (9.92 lb)	
Ingress Protection	IP66	
Certifications	FCC (Class A), UL/cUL listed	CE (Class A)

## Accessories (Option)

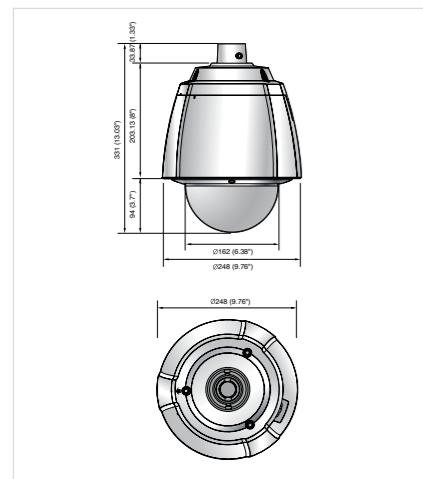
Flange	Pendant Mount	Wall Mount	Wall Setup Box	Pole Mount	Corner Mount	Parapet Mount
STB-40PF	STB-300PP	STB-300PW	STB-270B	STB-330PPM	STB-340PCM	STB-355PPM

Design and specifications are subject to change without notice.

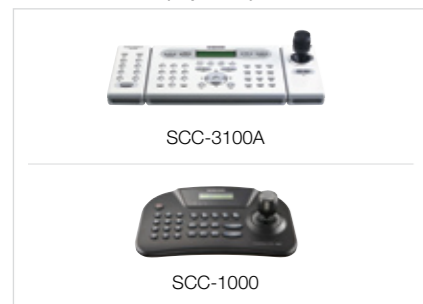


## Dimensions

Unit : mm (inch)



## Controller (Option)



The **Eco mark** represents Samsung Techwin's will to create environment-friendly products, and indicates that the product satisfies the EU RoHS Directive.



SAMSUNG TECHWIN



See Through the Darkness!

Ultra Low Light Levels of 0.4Lux!



# SPU-3700

37X Ultra Low Light Weather-Proof PTZ Dome Camera

- Clear Images at Ultra Low Light Levels of 0.4Lux
- Installation Versatility, 37X Optical Zoom (3.5 ~ 129.5mm)
- IP66-rated, Coax Communications System



www.samsungcctv.com



**SAMSUNG TECHWIN CO., LTD.**  
145-3, Sangdaewon 1-dong, Jungwon-gu, Seongnam-si, Gyeonggi-do Korea 462-703  
Tel : +82-31-740-8151-8 Fax : +82-31-740-8145  
www.samsungcctv.com

**SAMSUNG TECHWIN AMERICA Inc.**  
1480 Charles Willard St, Carson, CA 90746, UNITED STATES  
Tel Free : +1-877-213-1222 Fax : +1-310-632-2195  
www.samsungcctvusa.com

**SAMSUNG TECHWIN EUROPE CO., LTD.**  
Samsung House, 1000 Hillwood Drive, Hillwood Business Park  
Chertsey, Surrey, UNITED KINGDOM KT16 0PS  
Tel : +44-1932-45-5300 Fax : +44-1932-45-5325

**TIANJIN SAMSUNG TECHWIN OPTO-ELECTRONICS CO., LTD.**  
No.11 Wei 6 Street, Micro-Electronic Industrial Park  
Jingang Road, Tianjin, P.R. CHINA 300385  
Tel : +86-22-23887788 Fax : +86-22-23887788

■ DISTRIBUTED BY



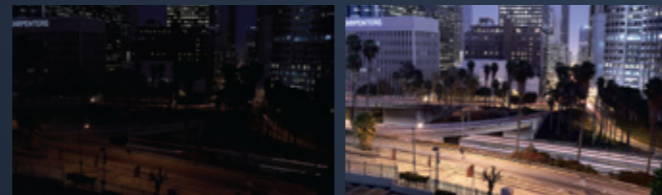
I.E-0908

# Ultra Low Light Levels of 0.4Lux! See Through the Darkness!

## 0.4Lux Ultra-Low Light Levels



Embedded with ICR Day & Night technology, the SPU-3700 achieves ultra low light levels of 0.4Lux to form clear images day and night for accurate visual monitoring.



Conventional Camera

SPU-3700

## Installation Versatility

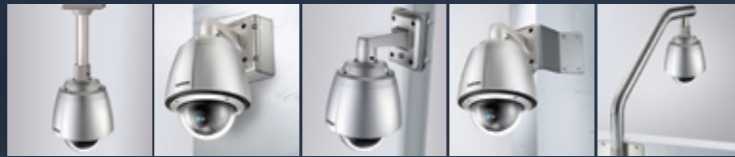


The SPU-3700 comes with a built-in housing, eliminating the need for an extra housing. With its installation-focused chassis design and custom accessories, installation is quick and easy anywhere, including ceilings, walls, poles, corners, and rails.

\* Installation



\* Various Accessories



Pendant (STB-40PF) Wall (STB-300PW+STB-270B) Side Pole (STB-300PW+STB-330PPM) Corner (STB-300PW+STB-340PCM) Parapet (STB-40PF+STB-355PPM)

## 37X Ultra Low Light weather-proof PTZ Dome Camera **SPU-3700**

Samsung Techwin introduces the SPU-3700, a PTZ dome camera with a 37X optical zoom and built-in housing that achieves ultra low light levels of 0.4Lux, forming clear images even in the darkest places. This camera is IP66-rated and is available with a wide selection of accessories for installation versatility indoors or outdoors.



## Powerful 37X Optical Zoom



With its powerful 37X optical zoom, the SPU-3700 effortlessly pulls in distant objects for accurate monitoring.



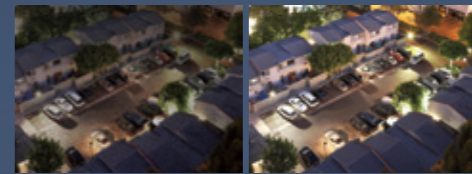
Normal

37X Optical Zoom

## Clear 550TV Lines Resolution



The SPU-3700 delivers high resolution 500TV lines color images with excellent clarity.



Conventional Camera

SPU-3700

## Built-in Housing & IP66-Rated



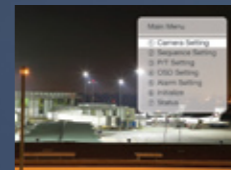
The SPU-3700 comes with a built-in housing, eliminating the need for an extra housing. Dustproof and waterproof with an IP66 rating, you can install this camera indoors or outdoors with complete confidence.



## COAX Communications System



The SPU-3700 supports OSD coaxial controls using a coaxial cable. (Compatible DVR models: SVR-1680C/1660C/960C)



## 255 Presets & 500° High-Speed Pan & Tilt



This camera memorizes up to 255 presets for automatic monitoring. Its 500° per second high-speed pan/tilt operation helps patrol even the broadest areas.

## Highlight Compensation



Embedded with HLC (Highlight Compensation) technology, the SPU-3700 accurately captures nighttime objects by blocking strong highlights such as car headlights.

