

# Barriere per bordo ponte

Guardrails for bridge



# steel safety on roadways

Require Marcegaglia Buildtech full range of steel road safety barriers: from the **steel partner**, steel safety on roadways.

Marcegaglia Buildtech safety barriers solutions are part of Marcegaglia steel production chain and are engineered, assembled then **tested** in order to comply with specific **norm requirements**.

## Certificazioni

*Certifications - Zertifizierungen - Certifications - Certificaciones*

- **RINA ISO 9001:2008** certificato N. 12370/05/S
- **IQNet - CISQ/RINA** Quality Management System **ISO 9001:2008** Registration N. IT-42009
- **Certificati CE** di costanza della prestazione

## Crash tests

*Crash tests - Crash-Tests - Essais de chocs - Crash tests*



## Classe H2 Bordo Ponte - Barriera 3 onde per manufatto W5

Class H2 Bridge side - 3-waves guardrail for bridge W5

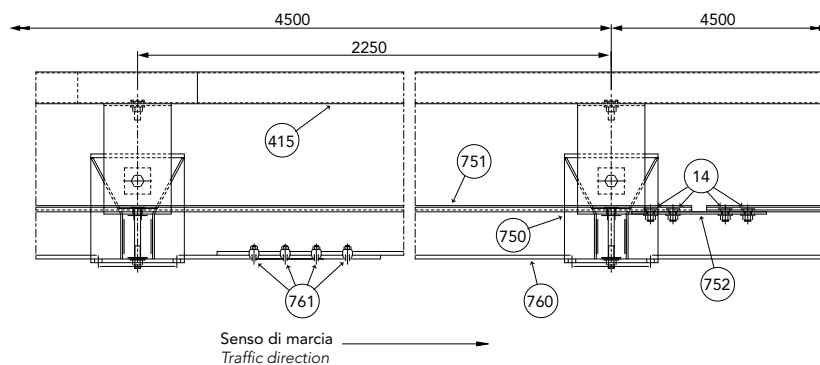
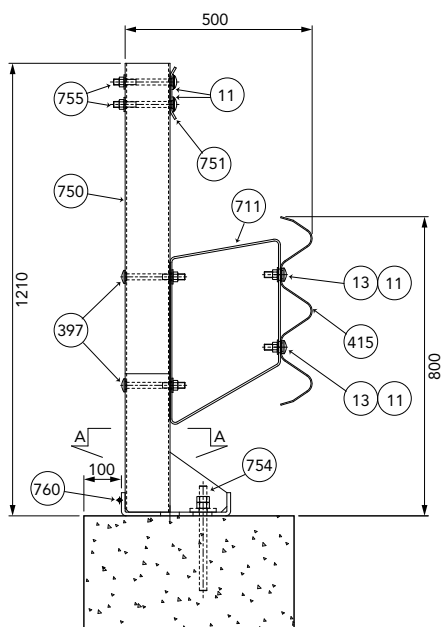
Aufhaltestufe H2 für Kunstbauten - 3-welliges Rückhaltesystem W5

Classe H2 Bord pont - Glissière 3 crosses simple pour pont W5

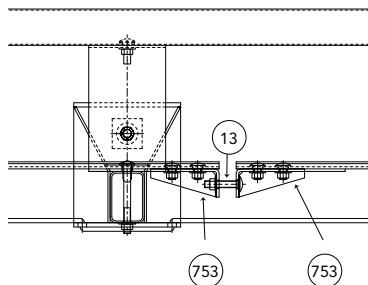
Clase H2 Borde de puente - Barrera de triple onda simple para base puente W5

# H2-W5

## 3-waves



Giunzione bandella con trazione ogni 18m  
Traction plate junction, every 18m



### Caratteristiche Characteristics, Eigenschaften, Caractéristiques, Características

<b>Altezza barriera</b> Barrier height, Höhe Leitplanke, Hauteur glissière de sécurité, Altura barrera	1210 mm
<b>Profondità d'infissione tirafondi</b> Depth of anchor bolts penetration, Einschraubtiefe der Verankerungen, Prondeur de vissage des ancrages, Profundidad de anclaje varilla roscada	220 mm
<b>Ingombro trasversale</b> Overall width, Gesamtbreite, Grosseur hors tout, Anchura total	500 mm
<b>Interasse pali</b> Post spacing, Steherabstand, Distance entre poteaux, Distancia entre postes	2250 mm

### Rapporti di prova Crash test reports, Testberichte, Comptes rendus d'essais, Relaciones de pruebas

Test n.	Facility	Test	Type	Barrier length m	Mass kg	Speed km/h	ASI max 1.4	THIV max 33 km/h	D m	Vi m	W m
PROVA 560	Aisico	TB51	Laterale 20°	99	13.000	70	-	-	1,5	1,3	1,7=W5
X91.05.110	TÜV	TB11	Laterale 20°	99	900	100	0,9=A	22,3	0,9	-	0,9=W3

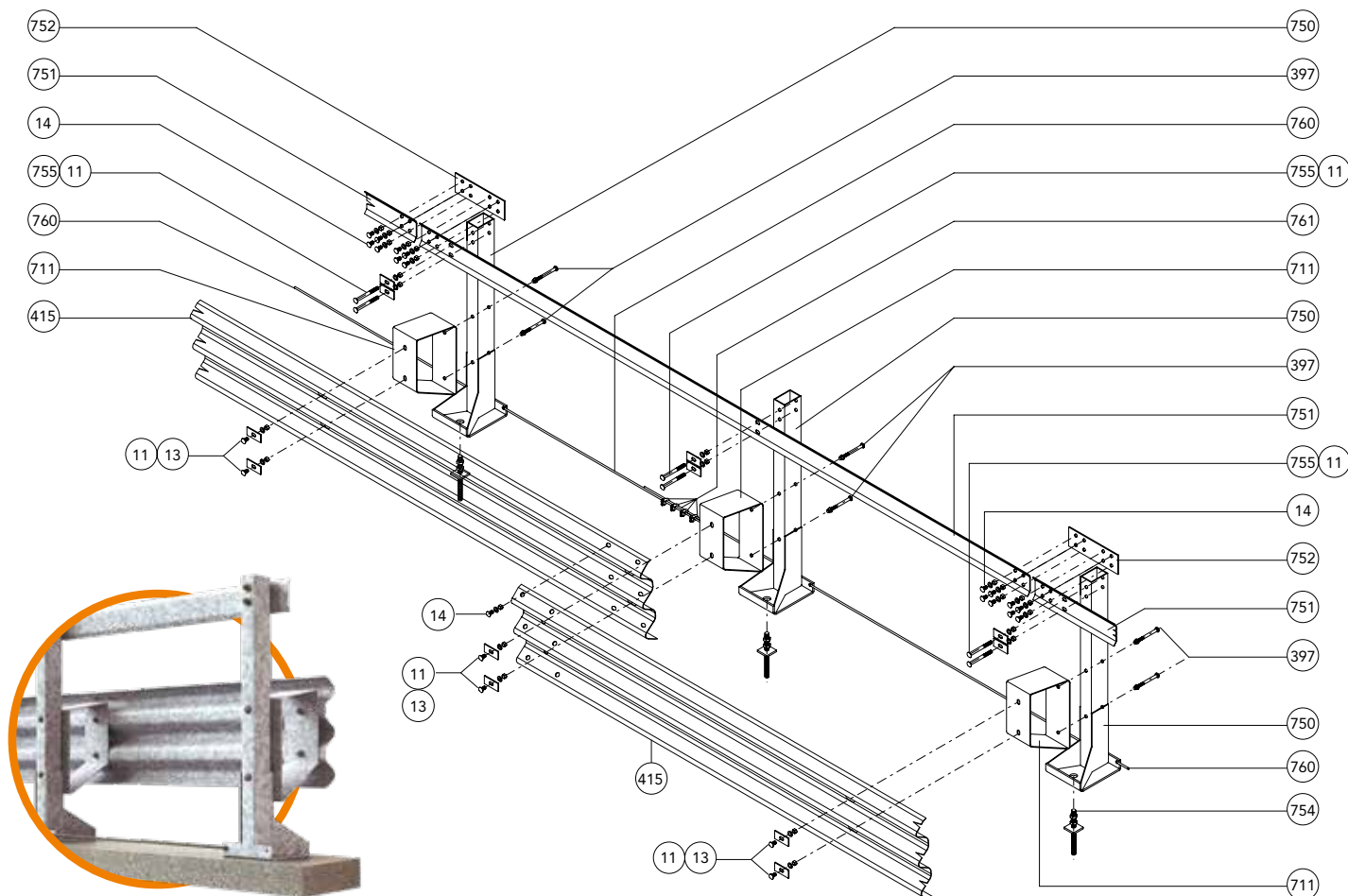
Sales office:

**MARCEGAGLIA BUILDTECH guardrail division**  
 strada Roveri, 4  
 15068 Pozzolo Formigaro, Alessandria - Italy  
 phone +39 . 0143 77 61 • fax +39 . 0143 77 63 53

guardrail@marcegaglia.com  
 www.marcegaglia.com

Plants:

**MARCEGAGLIA BUILDTECH Pozzolo Formigaro**  
 strada Roveri, 4  
 15068 Pozzolo Formigaro, Alessandria - Italy  
 phone +39 . 0143 77 61 • fax +39 . 0143 77 63 53



**Componenti Components, Bauteile, Composants, Elementos**

	Descrizione Description		Materiale Material
761	<b>Morsetto per fune</b> Cable clamp, Schraubklemme für Stahlseil, Serre-câble, Grapa para cable		Acc. zinc.
397		M16x170 mm	Classe 8.8
755	<b>Bullone completo</b> Bolt with nut and washer, Schraube komplett, Boulon complet, Tornillo completo con tuerca y arandela	M16x160 mm	Classe 8.8
13		M16x50 mm	Classe 8.8
14		M16x30 mm	Classe 8.8
754	<b>Tirafondo + dadi + 1 rondella</b> Anchor bolt + nuts + 1 washer, Verbundklebeankerschraube + Mütter + 1 Unterlegscheibe, Tire-fond + écrous + 1 rondelle, Varilla Roscada + tuercas + 1 arandela	M20x280 mm	Classe 8.8
11	<b>Piastrina copriasola</b> Slot covering plate, Lochabdeckplatte, Plaque de couverture fente, Placa cubre-ranura	100x40x4 mm	S 275 JR
760	<b>Funne</b> Wire rope, Seil, Câble, Cable	Ø12 L=6000 mm	Acc. zinc.
753	<b>Elemento di trazione</b> Traction element, Zugelement, Élément de traction, Elemento de tracción	Th=6 mm	S 235 JR
752	<b>Piatto di collegamento</b> Connection plate, Anschlussplatte, Plaque de connexion, Platina de unión	120x360 Th=6 mm	S 235 JR
711	<b>Distanziatore romboidale</b> Rhomboidal spacer, Rhomboidisch. Abstandhalter, Entretoise en losange, Separador romboidal	Th=5 mm	S 235 JR
751	<b>Bandella superiore</b> Upper shaped plate, Oberer Bandstahl, Barre supérieure, Banda superior	140x4460 Th=5 mm	S 355 JR
750	<b>Palo in tubo con piastra</b> Rectangular tube post with base plate, Vierkantrohrsteher mit Grundplatte, Poteau tubulaire avec plaque, Poste de tubo con placa	120x80 Th=4 H=1200 mm	S 235 JR
415	<b>Fascia 3 onde</b> 3-waves beam, 3-wellige Leitschiene, Glissière 3 crosses, Banda triple onda	L=4816 (2250x2) Th=2,5 mm	S 235 JR