

CENTO 500 LED

CENTO 500 LED Lichtpoller
12.71743.0V001 1X LED E27

Illuminating bollard CENTO 500
Housing made of aluminium \varnothing 160 mm
Cover of polyacrylic glass (PMMA) with frosted surface
Elec. equip.: 1xE27 socket for LED lamp (220-240V/50-60Hz)
Without lamp (Type P 40, max. 7W)
Ingress protection IP54, protection rating I
Bollard of aluminium tube \varnothing 160 mm
Total height 500 mm
With flange plate \varnothing 220 mm
Connection: 3 x 2,5 mm² terminal in the base of the bollard
Colour: DB 703

Technical values

Wind catching surface	0,08 m ²
IK-Code	IK04
Ingress protection	IP54

CE

Advantages

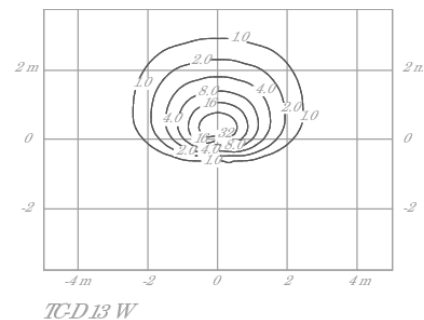
- The CENTO product family makes integrated lighting solutions possible
- Lateral light output for homogeneous illumination
- Cylindrical luminaire design

Downloads

Drawings:	Cento_900_500_LP.png
Installation instructions:	HessMA_CENTO_LED.pdf
IK test certificate:	Hess IK Cento 900 500 LP BABL WABL DABL PMMA satine 060709.pdf
Photometric data:	CENTO_illuminating_bollard.zip

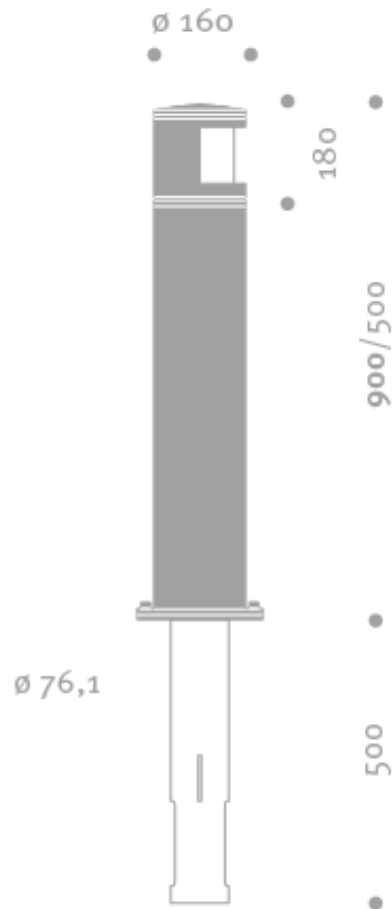


Photometric reports



CENTO 500 LED

Drawings



Projects



American Hospital
VAE - Dubai



American Hospital
VAE - Dubai



American Hospital
VAE - Dubai