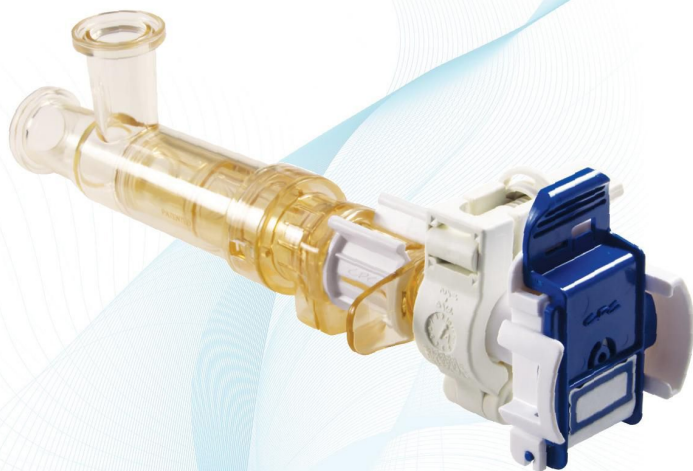


ASEPTIQUIK® STC II SERIES CONNECTOR



AseptiQuik® STC Connectors integrate the AseptiQuik® sterile connector and the Steam-Thru® II SIP connector, giving manufacturers greater flexibility between hybrid stainless steel and single-use processing equipment. The AseptiQuik STC II connector combines an AseptiQuik G, S or C sterile connector with a Steam-Thru II connection that can be mounted directly to stainless steel processing equipment via a sanitary termination. AseptiQuik STC II connectors utilizing an AseptiQuik G or S sterile connector offer a genderless design, simplifying system integration at the aseptic connector end. AseptiQuik STC II connectors utilizing an AseptiQuik C sterile connector allow system designers to incorporate a keyed female-to-male connection at the aseptic connector end.

The union of the two connectors into a single unit through a sanitary clamp allows an AseptiQuik sterile connection to be steamed on to stainless equipment via SIP. After the SIP cycle, a wide range of single-use systems can be connected.

FEATURES	BENEFITS
AseptiQuik design	Innovative three-step connection process reduces risk of operator error
Genderless design	Eases integration of single-use systems with universal mating between AseptiQuik G Connectors
Innovative three-port steam design	Allows a true steam-through SIP process which eliminates "dead legs"
Robust construction	Repeatable and reliable performance with no additional hardware required
Patented steam valve design	Allows sterile connection and disconnection to stainless equipment and permits a high media flow rate.
Sanitary interface between the two connectors	More secure connection than tubing with cable ties
Market availability	Open access through multiple supply chain partners

Specifications ● ● ●

OPERATING CONDITIONS:

(Fluid Transfer)

Steam Position

Temperature: Up to 275°F (135°C) for 60 minutes

Pressure: Up to 35 psi, 2.4 bar

Flow Position

Temperature: 39°F to 104°F (4°C to 40°C)

Pressure: Up to 20 psi, 1.4 bar

STERILIZATION:

Full Connector Assembly (Choose 1)

Gamma: Up to 50 kGy irradiation

Autoclave: High Temp (HT) Version

Up to 266°F (130°C) for 30 minutes (AQSTC)

Up to 266°F (130°C) for 60 minutes (AQGSTC)

Steam-In-Place (SIP)

Up to 275°F (135°C) (~31 psi) for 60 minutes

TERMINATION SIZES:

3/8" (9.5mm) to 1/2" (12.7mm) ID hose barb (Steam-Thru)

3/8" (9.5mm) to 1/2" (12.7mm) ID hose barb and 3/4" sanitary (Steam-Thru II)

MATERIALS:

Main Components:

AseptiQuik - Polycarbonate (white), USP Class VI, ADCF

Steam-Thru II - Polysulfone (amber tint), USP Class VI, ADCF

Seals: Silicone (clear), platinum-cured, USP Class VI, ADCF

Pull Tabs:

Polycarbonate (blue, standard version), USP Class VI, ADCF

Polycarbonate (white, HT version), USP Class VI, ADCF

Polycarbonate (white, HT version), USP Class VI, ADCF

Caps: Polypropylene (clear), USP Class VI, ADCF

Membrane:

Hydrophobic polyethersulfone (HT versions), USP Class VI, ADCF, PTFE strip sticker

Clamp: Nylon 66 (white), USP Class VI

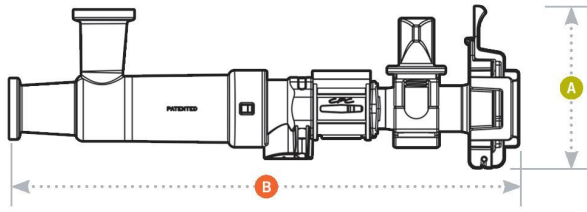
TYPICAL FLOW RATE:

$C_v = 3 - 9$ (AQGSTCII, AQCSTCII)

$C_v = 1 - 2$ (AQSSTCII)

NOTE: Steam pressures are estimated based upon information in Steam Tables found in literature

ASEPTIQUIK® G AND S STC II SERIES DIMENSIONS



- A = Height/Diameter
- B = Total Length
- C = Actuated Length

Coupling Bodies

• POLYCARBONATE with Blue Pull Tabs

For gamma irradiation applications.



TERMINATION	3/4" X 3/4" SANITARY STEAM-THRU II WITH ASEPTIQUIK G BODY	3/4" X 1-1/2" SANITARY STEAM-THRU II WITH ASEPTIQUIK G BODY	3/4" X 3/4" SANITARY STEAM-THRU II WITH ASEPTIQUIK S BODY	3/4" X 1-1/2" SANITARY STEAM-THRU II WITH ASEPTIQUIK S BODY
PART NO.	AQGSTC2330900	AQGSTC2331000	AQSSTC2330900	AQSSTC2331000
A	3.05 (77.5 mm)	3.05 (77.5 mm)	2.45 (62.2 mm)	2.45 (62.2 mm)
B	8.26 (209.8 mm)	8.26 (209.8 mm)	8.20 (208.2 mm)	8.20 (208.2 mm)
C	7.36 (186.9 mm)	7.36 (186.9 mm)	7.30 (185.4 mm)	7.30 (185.4 mm)

PART NO.	A	B	C
AQGSTC2330900	3.05 (77.5 mm)	8.26 (209.8 mm)	7.36 (186.9 mm)
AQGSTC2331000	3.05 (77.5 mm)	8.26 (209.8 mm)	7.36 (186.9 mm)
AQSSTC2330900	2.45 (62.2 mm)	8.20 (208.2 mm)	7.30 (185.4 mm)
AQSSTC2331000	2.45 (62.2 mm)	8.20 (208.2 mm)	7.30 (185.4 mm)

• POLYCARBONATE HT with White Pull Tabs

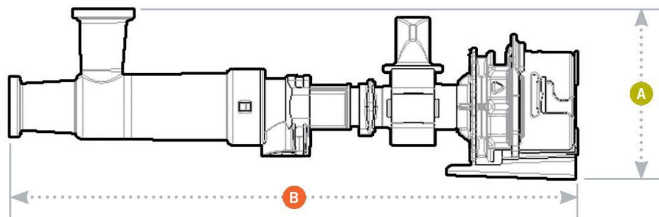
For autoclave or gamma irradiation applications.



TERMINATION	3/4" X 3/4" SANITARY STEAM-THRU II WITH ASEPTIQUIK G BODY	3/4" X 1-1/2" SANITARY STEAM-THRU II WITH ASEPTIQUIK G BODY	3/4" X 3/4" SANITARY STEAM-THRU II WITH ASEPTIQUIK S BODY	3/4" X 1-1/2" SANITARY STEAM-THRU II WITH ASEPTIQUIK S BODY
PART NO.	AQGSTC2330900HT	AQGSTC2331000HT	AQSSTC2330900HT	AQSSTC2331000HT
A	3.05 (77.5 mm)	3.05 (77.5 mm)	2.45 (62.2 mm)	2.45 (62.2 mm)
B	8.26 (209.8 mm)	8.26 (209.8 mm)	8.20 (208.2 mm)	8.20 (208.2 mm)
C	7.36 (186.9 mm)	7.36 (186.9 mm)	7.30 (185.42 mm)	7.30 (185.42 mm)

PART NO.	A	B	C
AQGSTC2330900HT	3.05 (77.5 mm)	8.26 (209.8 mm)	7.36 (186.9 mm)
AQGSTC2331000HT	3.05 (77.5 mm)	8.26 (209.8 mm)	7.36 (186.9 mm)
AQSSTC2330900HT	2.45 (62.2 mm)	8.20 (208.2 mm)	7.30 (185.42 mm)
AQSSTC2331000HT	2.45 (62.2 mm)	8.20 (208.2 mm)	7.30 (185.42 mm)

ASEPTIQUIK® C STC SERIES DIMENSIONS



- A = Height/Diameter
- B = Total Length
- C = Actuated Length

Coupling Bodies

• POLYCARBONATE with Blue Pull Tabs

For gamma irradiation applications.

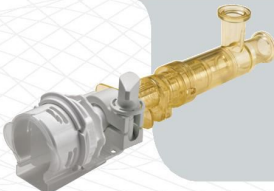


TERMINATION	3/4" X 3/4" SANITARY STEAM-THRU II WITH ASEPTIQUIK BODY	3/4" X 1-1/2" SANITARY STEAM-THRU II WITH ASEPTIQUIK BODY
PART NO.	AQSTC2330900	AQSTC2331000
A	2.78 (70.6 mm)	2.78 (70.6 mm)
B	9.25 (235 mm)	9.25 (235 mm)
C	8.42 (213.9 mm)	8.42 (213.9 mm)

PART NO.	A	B	C
AQSTC2330900	2.78 (70.6 mm)	9.25 (235 mm)	8.42 (213.9 mm)
AQSTC2331000	2.78 (70.6 mm)	9.25 (235 mm)	8.42 (213.9 mm)

• POLYCARBONATE HT with White Pull Tabs

For autoclave or gamma irradiation applications.

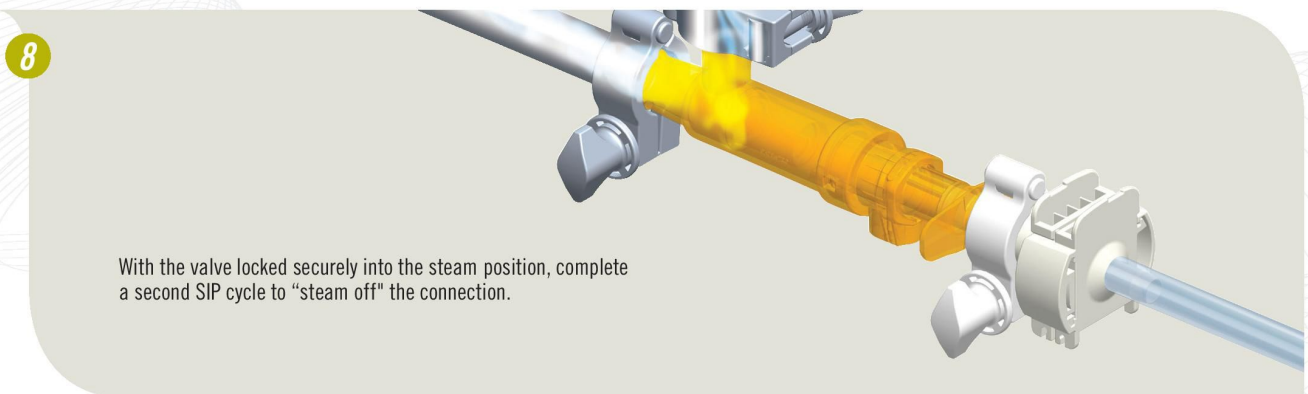
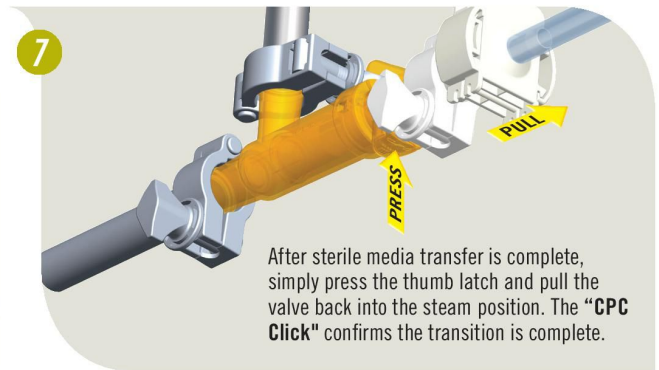
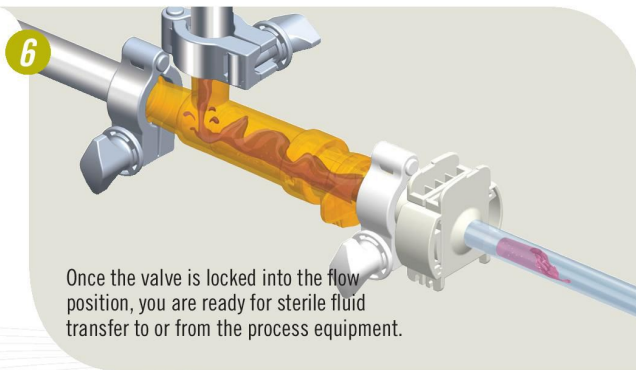
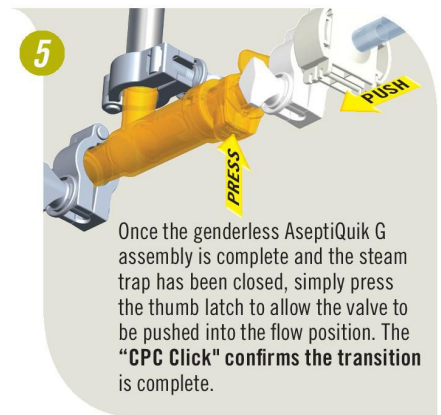
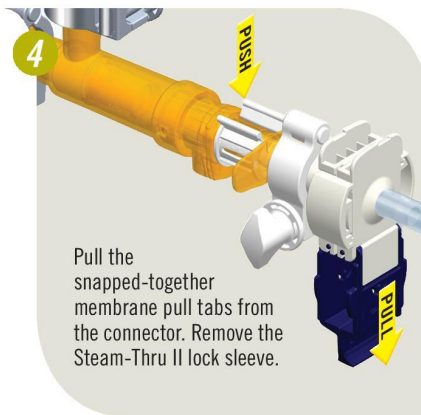
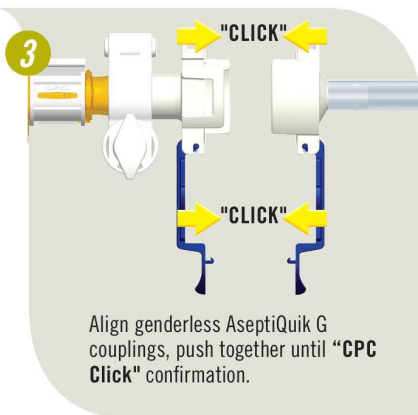
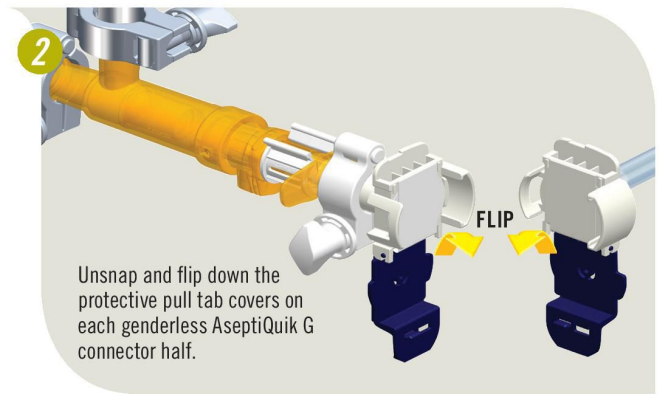
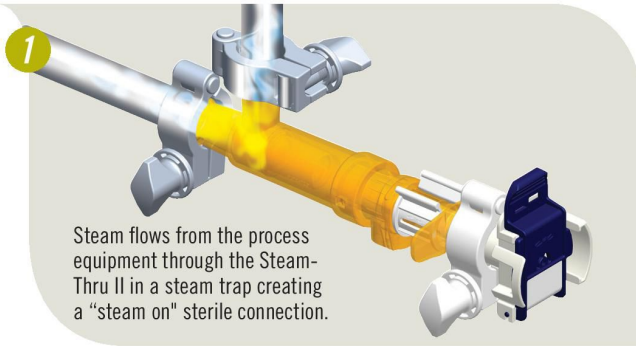


TERMINATION	3/4" X 3/4" SANITARY STEAM-THRU II WITH ASEPTIQUIK BODY	3/4" X 1-1/2" SANITARY STEAM-THRU II WITH ASEPTIQUIK BODY
PART NO.	AQSTC2330900HT	AQSTC2331000HT
A	2.78 (70.6 mm)	2.78 (70.6 mm)
B	9.25 (235 mm)	9.25 (235 mm)
C	8.42 (213.9 mm)	8.42 (213.9 mm)

PART NO.	A	B	C
AQSTC2330900HT	2.78 (70.6 mm)	9.25 (235 mm)	8.42 (213.9 mm)
AQSTC2331000HT	2.78 (70.6 mm)	9.25 (235 mm)	8.42 (213.9 mm)

ASEPTIQUIK® G AND S STC II SERIES ASSEMBLY PROCEDURE

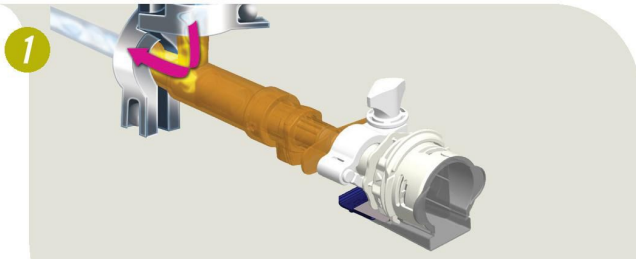
FLIP-CLICK-PULL Assembly Procedure



ASEPTIQUIK® C STC II SERIES ASSEMBLY PROCEDURE

CLICK-PULL-TWIST Assembly Procedure

1



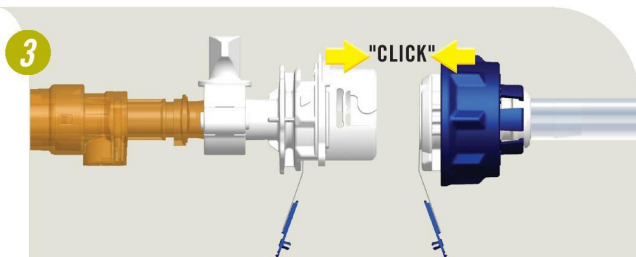
Steam flows from the process equipment through the Steam-Thru II in a steam trap creating a "steam on" sterile connection.

2



Remove the protective dust cap from the AseptiQuik STC and AseptiQuik Insert.

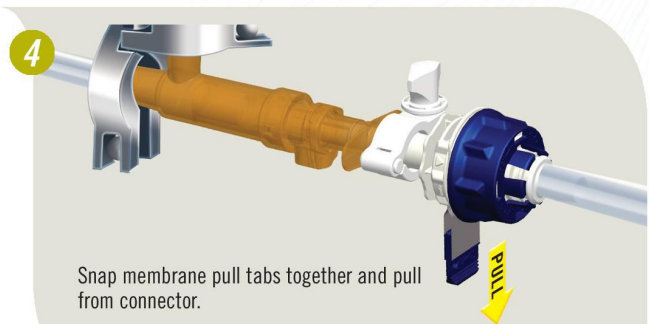
3



Align AseptiQuik male and female couplings, push together until "CPC Click" confirmation.

Slight rotation of blue lock ring may be required for proper alignment prior to connection.

4




Snap membrane pull tabs together and pull from connector.

5



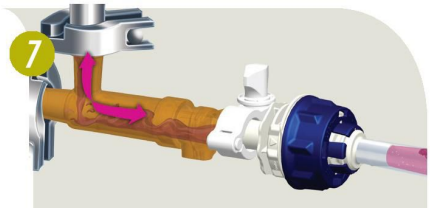
Twist the blue lock ring clockwise until audible "CPC Click." Alignment of the lock ring rib with the body's arrow indicator confirms final connection.

6




Once the AseptiQuik assembly is complete and the steam trap has been closed, simply press the thumb latch to allow the valve to be pushed into the flow position. The "CPC Click" confirms the transition is complete.

7



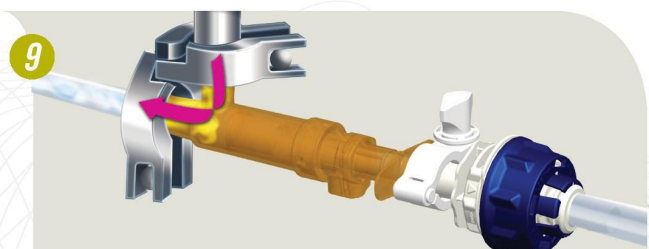
Once the valve is locked into the flow position, you are ready for sterile fluid transfer to or from the process equipment.

8



After sterile media transfer is complete, simply press the thumb latch and pull the valve back into the steam position. The "CPC Click" confirms the transition is complete.

9



With the valve locked securely into the steam position, complete a second SIP cycle to "steam off" the connection.