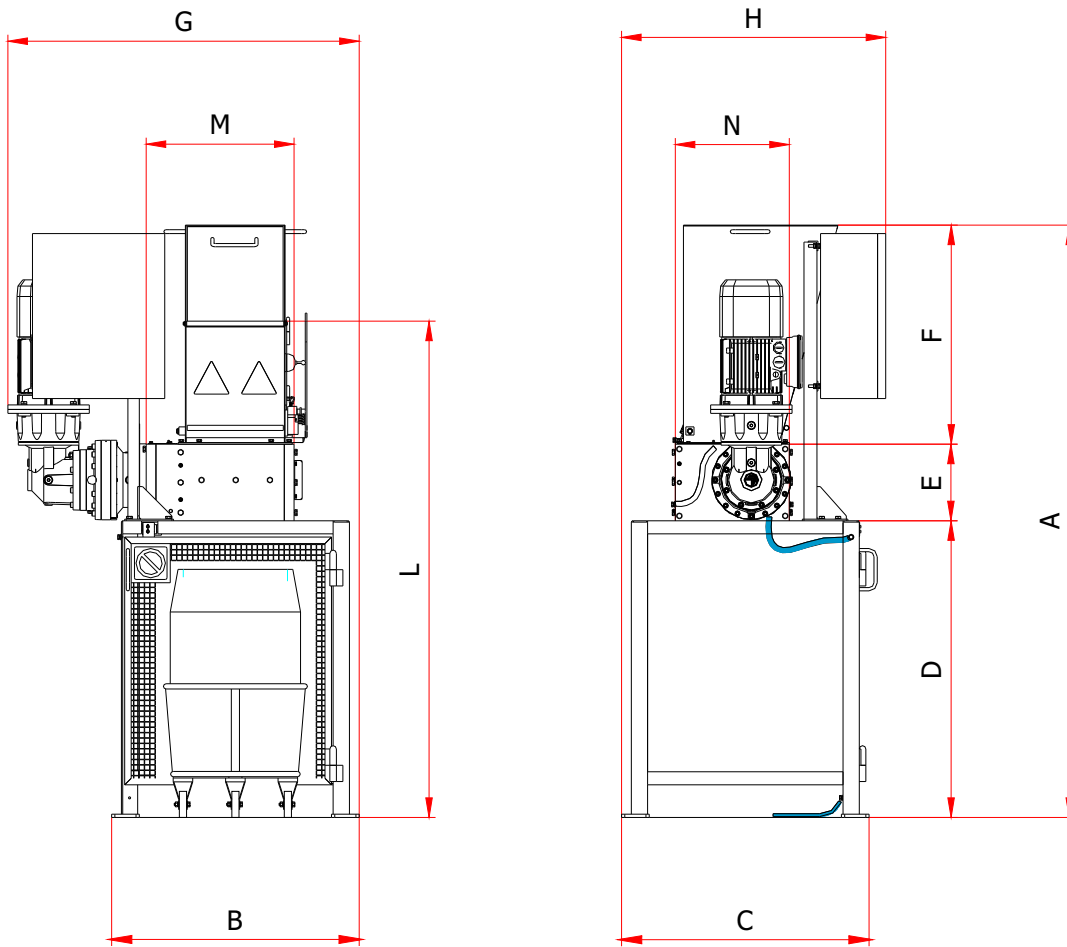




**S3/3**

Dati tecnici Technical data	S3/3
Camera di lavoro (mm) Shredding chamber (mm)	300x306
Lame da 12 mm (n.) 12 mm blades (no.)	24
Potenza (kW) Power (kW)	3
Tensione (V) Voltage (V)	220/400/460
Peso (kg) Weight (kg)	340

# Dati Tecnici/Technical Data



S3/3	
A	1815
B	760
C	760
D	910
E	240
F	665
G	1080
H	810
L	1520
M	455
N	350

## Esempi di materiali trattati/ Some applications:

Scarti navale a bordo nave  
Ship waste on board



Bottiglie di plastica  
Plastic bottles



Lattine  
Aluminium cans



Rifiuti ospedalieri  
Hospital waste



Schede elettroniche  
PC boards



**SatrindTech S.r.l.**

Via Monfalcone, 122 - 20010 Arluno (MI) - Italy

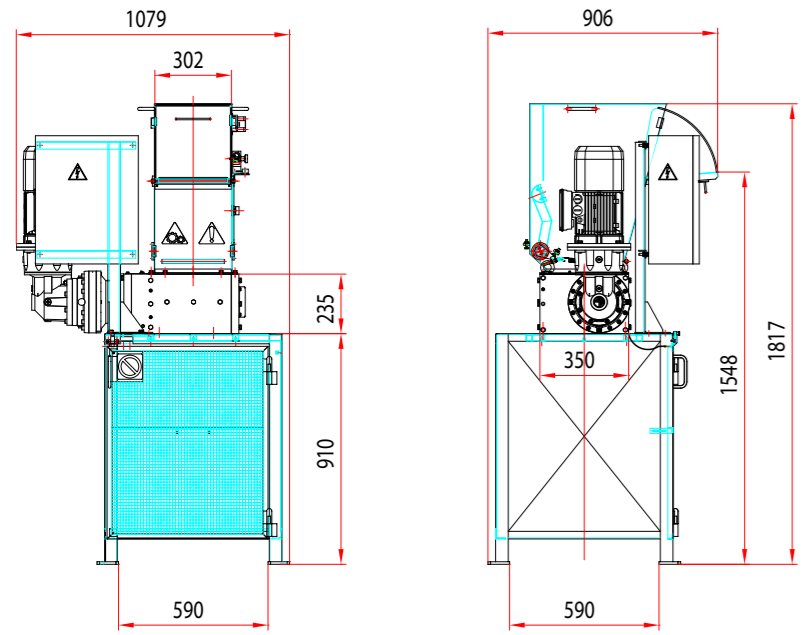
Tel. (+39) 02 90376683

Fax (+39) 02 90376721

info@satrindtech.com

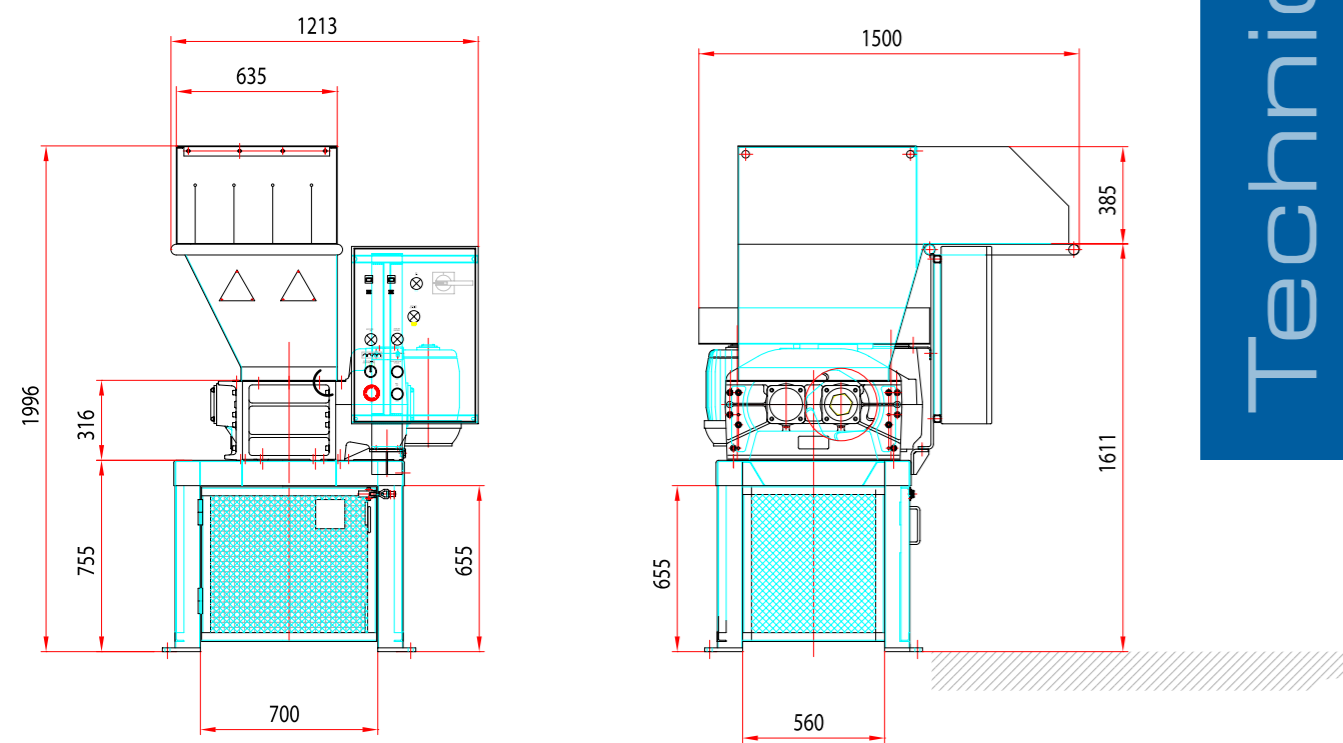
[www.satrindtech.com](http://www.satrindtech.com)

Dimensions



F410/360

Dimensions



Technical Drawings



SatrindTech S.r.l.  
 Via Monfalcone, 122 - 20010 Arluno (MI) - Italy  
 Tel. (+39) 02 90376683 (a.r.)  
 Fax (+39) 02 90376721  
 info@satrindtech.com  
 www.satrindtech.com



F 410/360



S 3/3N





# F410/360

The model F410/360, with 7.5 kW electric power, can be used to process high quantity of food waste: for this reason, it is more suitable for large cruise ships.

The compact size and footprint allows the F410/360 to be easily installed on board ship.



810

7,5KW

368x500 MM

15 MM THICKNESS

SAFETY SYSTEM

ELECTRIC MOTOR

2 SHAFTS

POWER

SHREDDING CHAMBER DIMENSIONS

SPECIAL MULTHOOK BLADES

SPECIAL FEEDING

# Main Features



We proudly inform that two shredders manufactured by SATRINDTECH have recently obtained, by an International Body, the Declaration of Compliance at MARPOL 73/78, Annex V.

This "Regulation for the prevention of pollution by garbage (organic fraction) from ships requires that "such comminuted or ground garbage shall be capable of passing through a screen with openings no greater than 25 mm" in case these garbage should be discharged into the sea.

SATRINDTECH shredders mod. S3/3N and F410/360, after a meticulous checks both on technical and safety requirements, have successfully passed the compliance test and they are now suitable to be installed on commercial and cruise ships, and on offshore platforms.

The shredders proposed by SATRINDTECH can offer a cost effective solution to shipowners wherever they are in the necessity to dispose food waste into the deep sea.

# S3/3N

The model S3/3N, with 3 kW electric power, designed to process small quantities of material, is equipped with a support for 80 liters containers mounted on wheels.

Moreover a hopper with a special feeding system that allows the operator to load the material in complete safety is provided.



810

3 KW

300x306 MM

12 MM THICKNESS

WITH MANUAL PUSHER

80 LITERS WHEELIE BIN

ELECTRIC MOTOR

2 SHAFTS

POWER

SHREDDING CHAMBER DIMENSIONS

SPECIAL MULTHOOK BLADES

SPECIAL FEEDING SAFETY SYSTEM

SPECIAL STAND FOR