

# XD 8

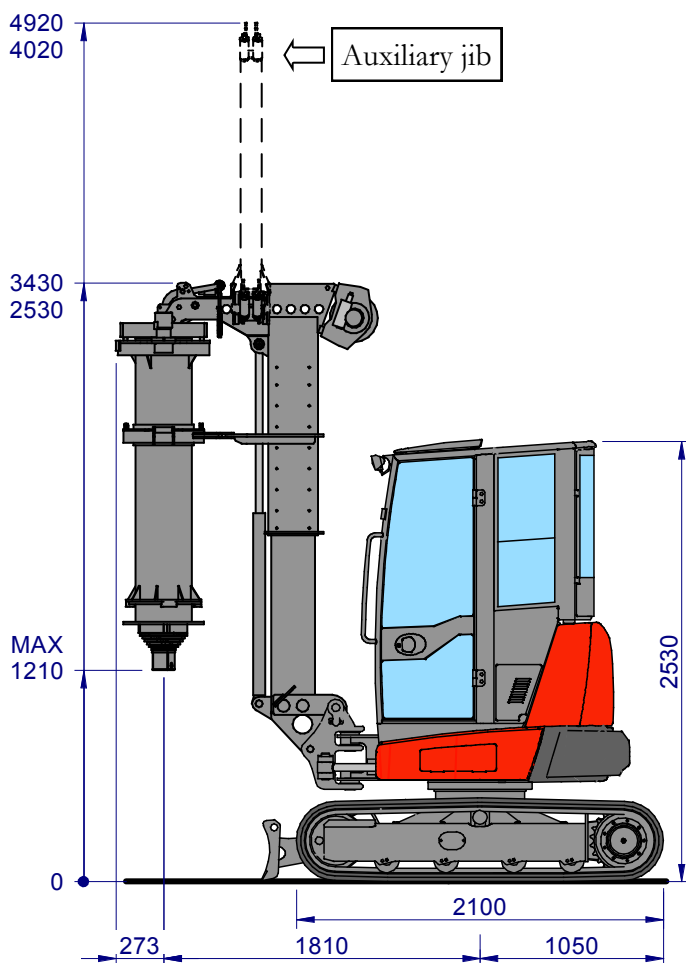


## MINI PILING RIG

**XD 8**

The GEAX XD 8 is a patented piling rig designed to be fully reversible to the original excavator functions and the conversion time is very fast, about 30 min.  
 The XD 8 is ideal for working in narrow and low headroom spaces such as inside existing buildings, its small size allows it to go and work where other machines can not.

- Powerful 1,5 litres diesel engine
- Quick coupling hydraulic hoses
- Telescopic mast
- 8 elements round interlocking telescopic kelly bar
- Minimum working height 2,8 m (9 ft)
- Mast automatic vertical alignment
- Automatic winch stop
- Solar panel piles fixture application



BASE		EUROCOMACH ES28ZT	
Engine		KUBOTA	D1503-M
Engine power	kW (hp)	24.9	(33.4)
Undercarriage length	mm (ft)	2100	(6.9)
Undercarriage width	mm (ft)	1550	(5)
Pumps	l/m	36+36+33	
ROTARY			
Nominal torque	kNm	8	
Drilling speed	rpm	20 - 40	
WINCHES			
Main winch line pull	kN	15	
Auxiliary winch line pull	kN	5	
CROWD SYSTEM			
Pull down force	kN	25	
Extraction force	kN	40	
Stroke	mm (ft)	900	(3)
EXCAVATION			
Max pile diameter	mm (in)	600	(24)
Max pile depth	m (ft)	12	(40)
Mast inclination 360°	deg	4	
DIMENSIONS			
Total weight	Kg (lbs)	3800	(8350)
Transport	m (ft)	W1,55(5)/L3,1(10)/H2,5(8)	
Min working height	m (ft)	2.8	(9)

**MINI PILING RIG**