

PRELIMINARY  
SPECIFICATIONS

MOVE THE WORLD FORWARD  MITSUBISHI  
HEAVY  
INDUSTRIES  
GROUP

**PREMIA** EX

# STAND-IN POWER PALLET

2.0 - 3.0 tonnes

**POWERFUL PERFORMANCE  
EXCEPTIONAL ERGONOMICS**

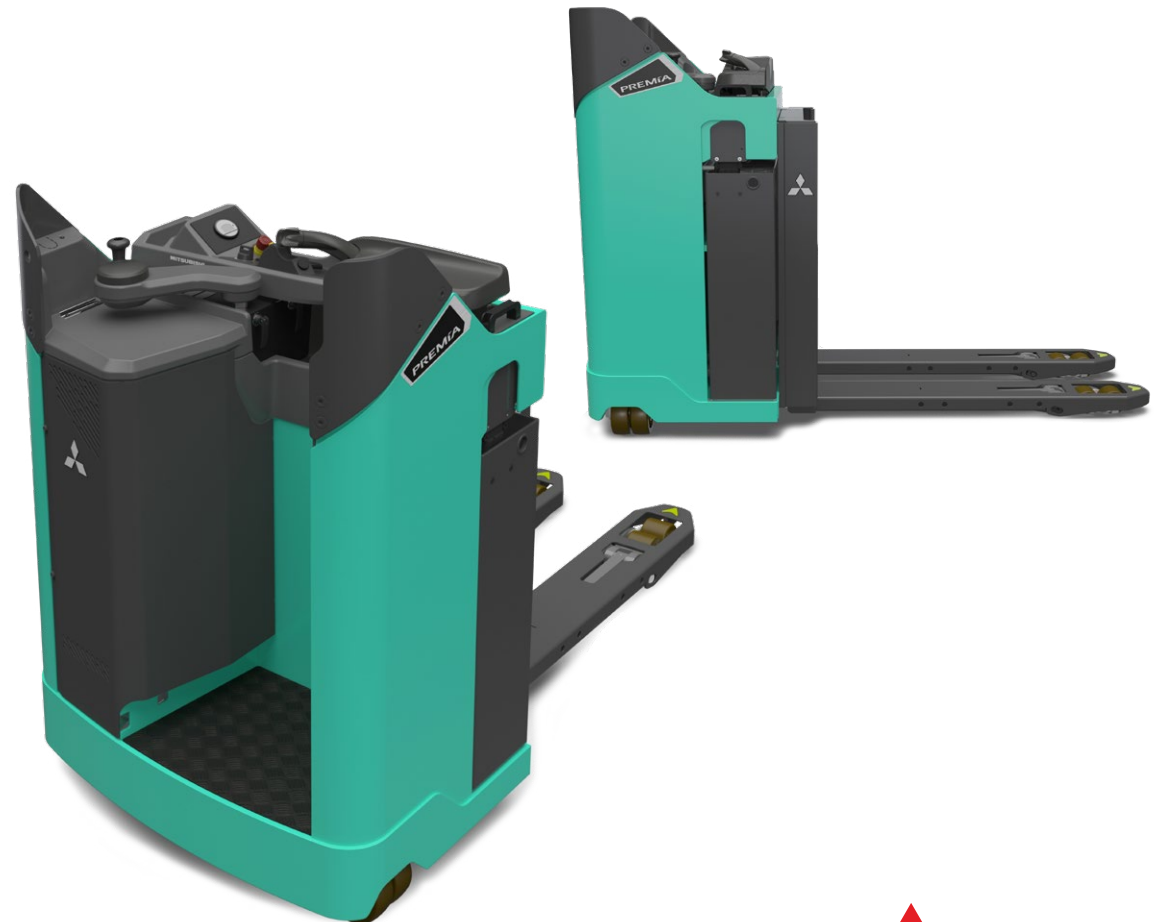
For horizontal transport over medium-to-long distances, ensure your operators have the comfort and safety benefits of a stand-in power pallet. The ergonomic controls, comfortable operator compartment, and easy entry and exit make longer shifts stress-free and far less fatiguing for the driver.

## SPECIFICATIONS

PBR20N2  
PBR30N2

**WHEN  
RELIABILITY IS  
EVERYTHING...**

**PBR20-30N2 Series**



 **MITSUBISHI  
FORKLIFT TRUCKS**

# PREMiA EX

## PBR20-30N2 Series

### STAND-IN POWER PALLET

2.0 – 3.0 tonnes



The stand-in power pallet design contains the operator completely within the truck, keeping them protected by the chassis. The stand-in concept also allows for a highly compact footprint. Along with the incredibly tight turning circle, this makes narrower aisle layouts much more feasible.

Engineered for optimum efficiency, with high acceleration and fast travel speeds, PREMiA EX offers operators consistently smooth, stable performance. And with straightforward servicing and legendary Mitsubishi Forklift Trucks reliability, PREMiA EX will keep downtime to a minimum.

#### BRAKES

- **High-efficiency regenerative braking**  
This gives more effective control and reduces brake wear.

#### DRIVE

- **Powerful AC drive motor**  
High torque for greater efficiency. No carbon brushes mean lower servicing requirements.
- **Intelligent Cornering System**  
The truck senses the angle of a turn and reduces speed early for maximum stability and accurate, positive cornering.
- **8 km/h standard speed (option 10 km/h)**  
Higher productivity is available if needed.



#### ELECTRICAL AND CONTROL SYSTEMS

- **Built-in Li-ion battery (option)**  
Fast opportune charging removes the need for extra batteries and allows 24/7 operation. (junior chassis only)
- **Combi controller lift system**  
Fingertip control for speed regulated lifting and proportional valve for lowering.

#### FORKS

- **Tapered and angled fork tips**  
Access to pallets is easier, quicker and safer.

#### FRAME AND BODY

- **Robust chassis**  
Built for intensive operations, with great inherent strength and high residual capacities.
- **Strong battery lock**  
Simple and safe. Battery lock can only be unlocked when battery plug is disconnected. Battery plug can only be reconnected if battery is locked.
- **Excellent ground clearance**  
Easy and safe handling on loading docks and ramps.
- **RapidAccess features**  
These allow quick and easy entry to all areas for checks and maintenance.
- **Waterproof wiring and connectors**  
Sealed compartment prevents system failure and corrosion from water and dust.

#### OPERATOR COMPARTMENT AND CONTROLS

- **Optical Presence Sensor**  
This locks all movement of the truck and its mast if the operator is not present. Driver can lift foot slightly without brakes automatically engaging, reducing muscle stress.
- **Plenty of storage space**  
Storage for on-board essentials, putting clipboard, mobile phone, drinks bottle and pen all within easy reach.
- **Ultra-low step height**  
Operators stay more productive throughout shifts thanks to easy on/off access.
- **Ergo Forks Trailing Control (option)**  
When working with forks trailing, an additional speed control allows an operator to stand in a more comfortable and ergonomic forward-facing position while travelling.

#### STEERING SYSTEM

- **Fully adjustable steering wheel**  
Height and distance are ergonomically adjustable to reduce strain and lower risk of RSI.
- **360-degree steering (option)**  
The operator can keep the truck in constant motion - saving seconds on every turn.
- **Dynamic Power Steering**  
Smooth, precise control with minimum effort offering maximum comfort and stability at top speed.



For more information on PREMiA EX stand-in please visit our website



mft2.eu/premiaex



# PREMIA EX AVAILABLE LI-ION SYSTEMS

## MAKE YOUR FORKLIFT GO EVEN FURTHER



**Tried, tested and proven in the field, lead-acid batteries have been the long-standing top choice for companies employing electric lift trucks. However, with long charging times, demanding maintenance requirements, the need for extra batteries and high risk of operator misuse, it can be a challenge. Fortunately, there's a new battery system on the block: Li-ion from Mitsubishi Forklift Trucks.**

Designed to meet your business' demands - including multi-shift (24/7) operations - without the need for spare batteries, our high-performance Li-ion battery system is up to 30% more efficient than lead-acid counterparts. Plus, it's virtually error-proof, thanks to its ultra-low-maintenance design.

- **Gas-emission free and space efficient operation**  
with no need for air ventilation and/or closed charging room.
- **Exceptional high battery & charger efficiency**  
due to state-of-the-art technology, delivers up to 30% more power efficiency than lead-acid batteries.

- **Maintenance free design**  
eliminates the need for daily checks and water re-fills by operator, and reduces the risk of operators damaging cells.
- **No spare batteries and charging room required**  
saves space and costs in multi-shift application to maximise profitability.
- **Quick charge capabilities**  
mean that just 15 minutes is all your battery needs to keep your truck going a few more hours. (It only takes from 1 hour to fully charge a completely discharged battery.)
- **Higher sustained voltage**  
ensures more consistent lifting and driving performance, which is particularly noticeable towards the end of a shift.
- **Active protection componentry**  
continuously monitors the system, highlighting potential issues, including misuse.
- **High safety features include**  
circuit protection, deep-discharge and overcharge protection, individual cell temperature and voltage monitoring.
- **On-the-go performance and monitoring**  
is possible thanks to the system's integrated monitoring system with easy-to-read display unit.
- **Wide choice of battery and charger capacities**  
so the most suitable power supply can be matched to the exact requirements of a specific application.



### THE MOST COST-EFFECTIVE SOLUTION

When you factor in the extensive lifetime, no need for maintenance, higher power efficiency, and up to 30% savings, a Li-ion battery is most often the choice that saves money and offers peace of mind.

For more information on Li-ion please visit our website



# VDI - PERFORMANCE & DIMENSIONS

| CHARACTERISTICS     |   |       |       | Mitsubishi Forklift Trucks Mitsubishi Forklift Trucks |                    |
|---------------------|---|-------|-------|---|--------------------|
| 1.1                 | Manufacturer  |       |       | PBR20N2   | PBR30N2            |
| 1.2                 | Manufacturer's model designation  |       |       | Battery   | Battery            |
| 1.3                 | Power source  |       |       | Stand-in  | Stand-in           |
| 1.4                 | Operator type   |       |       |   |                    |
| 1.5                 | Load capacity   | Q     | kg    | 2000  | 3000               |
| 1.6                 | Load center distance  | c     | mm    | 600   | 600                |
| 1.8                 | Load wheel axle to fork face (forks lowered)  | x     | mm    | 975   | 975                |
| 1.9                 | Wheelbase   | y     | mm    | 1547 <sup>1)</sup>                                    | 1547 <sup>1)</sup> |
| WEIGHT              |   |       |       |   |                    |
| 2.1b                | Truck weight without load, with maximum battery weight  |       | kg    | 985   | 1095               |
| 2.2                 | Axle loadings with nominal load & maximum battery weight, drive / load side                                     |       | kg    | 1140 / 1845   | 1390 / 2705        |
| 2.3                 | Axle loadings without load & with maximum battery weight, drive / load side                                     |       | kg    | 770 / 215   | 825 / 270          |
| WHEELS, DRIVE TRAIN |   |       |       |   |                    |
| 3.1                 | Tyres: PT = Power Thane, Vul = Vulkollan, P = Polyurethane, N = Nylon, R = Rubber drive / load side             |       |       | Vul / Vul   | Vul / Vul          |
| 3.2                 | Tyre dimensions, drive side   |       | mm    | 250 x 105   | 250 x 105          |
| 3.3                 | Tyre dimensions, load side  |       | mm    | 85 x 70   | 85 x 70            |
| 3.4                 | Castor wheel dimensions (diameter x width)  |       | mm    | 150 x 55  | 150 x 55           |
| 3.5                 | Number of wheels, load / drive side (x = driven)  |       |       | 1 x + 2 / 4   | 1 x + 2 / 4        |
| 3.6                 | Track width (center of tyres), drive side   | b10   | mm    | 662   | 662                |
| 3.7                 | Track width (center of tyres), load side  | b11   | mm    | 385   | 385                |
| DIMENSIONS          |   |       |       |   |                    |
| 4.4                 | Lift height   | h3    | mm    | 135   | 135                |
| 4.7                 | Height to top of overhead guard   | h6    | mm    | 2310 opt  | 2310 opt           |
| 4.8                 | Seat- or stand height   | h7    | mm    | 230   | 230                |
| 4.15                | Fork height, fully lowered  | h13   | mm    | 88  | 88                 |
| 4.19                | Overall length  | l1    | mm    | 1923 <sup>1)</sup>                                    | 1923 <sup>1)</sup> |
| 4.20                | Length to fork face   | l2    | mm    | 773 <sup>1)</sup>                                     | 773 <sup>1)</sup>  |
| 4.21                | Overall width   | b1/b2 | mm    | 940   | 940                |
| 4.22                | Fork dimensions (thickness, width, length)  | s/e/l | mm    | 60 / 175 / 1150                                       | 60 / 175 / 1150    |
| 4.25                | Outside width over forks (minimum / maximum)  | b5    | mm    | 560   | 560                |
| 4.32                | Ground clearance at center of wheelbase, (forks lowered)  | m2    | mm    | 25  | 25                 |
| 4.33a               | Working aisle width (Ast) with 1000 x 1200 mm pallets, load crosswise   | Ast   | mm    | 2381 <sup>2)</sup>                                    | 2381 <sup>2)</sup> |
| 4.33b               | Working aisle width (Ast3) with 1000 x 1200 mm pallets, load crosswise  | Ast3  | mm    | 1997  | 1997               |
| 4.34a               | Working aisle width (Ast) with 800 x 1200 mm pallets, load lengthwise   | Ast   | mm    | 2397 <sup>3)</sup>                                    | 2397 <sup>3)</sup> |
| 4.34b               | Working aisle width (Ast3) with 800 x 1200 mm pallets, load lengthwise  | Ast3  | mm    | 2192  | 2192               |
| 4.35                | Turning radius  | Wa    | mm    | 1705 <sup>4)</sup>                                    | 1705 <sup>4)</sup> |
| PERFORMANCE         |   |       |       |   |                    |
| 5.1                 | Travel speed, with / without load   |       | km/h  | 10.0 / 10.0   | 9.0 / 9.0          |
| 5.2                 | Lifting speed, with / without load  |       | m/s   | 0.07 / 0.09   | 0.06 / 0.10        |
| 5.3                 | Lowering speed, with / without load   |       | m/s   | 0.12 / 0.09   | 0.10 / 0.07        |
| 5.7                 | Gradeability, with / without load   |       | %     | 6.0 / 15.0  | 6.0 / 15.0         |
| 5.8                 | Maximum gradeability with / without load  |       | %     | 14 / 28.4   | 11 / 28.4          |
| 5.9                 | Acceleration time (10 metres) with / without load   |       | s     | 7.0 / 6.0   | 7.5 / 6.0          |
| 5.10                | Service brakes (mechanical / hydraulic / electric / pneumatic)  |       |       | Electric  | Electric           |
| ELECTRIC MOTORS     |   |       |       |   |                    |
| 6.1                 | Drive motor capacity (60 min. short duty)   |       | kW    | 2.7   | 2.7                |
| 6.2                 | Lift motor output at 15% duty factor  |       | kW    | 2.2 (5%)  | 2.2 (5%)           |
| 6.4                 | Battery voltage/capacity at 5-hour discharge  |       | V/Ah  | 24 / 375-775  | 24 / 375-775       |
| 6.5                 | Battery weight  |       | kg    | 330 - 610   | 330 - 610          |
| 6.6b                | Energy consumption according to VDI 60 cycle  |       | kWh/h | 0.449   | 0.567              |
| MISCELLANEOUS       |   |       |       |   |                    |
| 8.1                 | Type of drive control   |       |       | AC  | AC                 |
| 10.7                | Level of noise at the ear level of the driver according to EN 12 053:2001 and EN ISO 4871 in work LpAZ          |       | dB(A) | 63.9  | 64.1               |
| 10.7.1              | Level of noise at the ear level of the driver according to EN 12 053:2001 and EN ISO 4871, drive/lift/idle LpAZ |       | dB(A) | 68.3 / 64.9 / 47.4                                    | 68.3 / 65.9 / 47.4 |

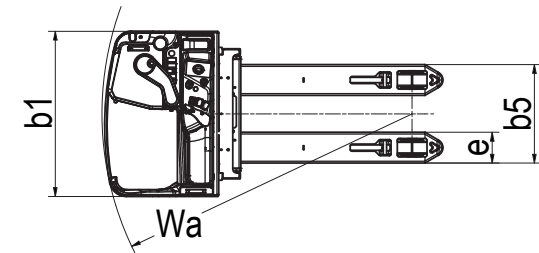
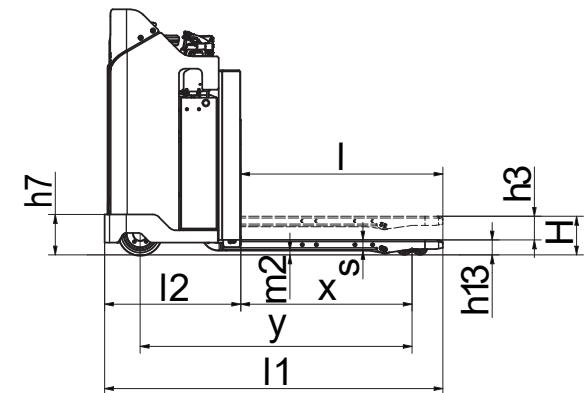
- 1) When Senior/BC775 then add 104 mm
- 2) 2482 mm SN/BC775
- 3) 2498 mm SN/BC775
- 4) 1806 mm SN/BC775

## PREMIA EX

### PBR20 - 30N2

### STAND-IN POWER PALLET

2.0 - 3.0 tonnes



- Ast = Working aisle width
- Ast3 = Working aisle width (b12 < 1000 mm)
- Ast =  $Wa + \sqrt{(l6 - x)^2 + (b12 / 2)^2} + a$
- Ast3 =  $Wa + l6 - x + a$
- Wa = Turning radius
- l6 = Pallet length
- x = Load wheel axle to fork face
- b12 = Pallet width
- a = Safety clearance = 2 x 100 mm



# STANDARD EQUIPMENT & OPTIONS

- = Standard
- = Option

|   | PBR20N2 | PBR30N2 |
|---|---------|---------|
| <b>GENERAL</b>  |         |         |
| Standard display incl. hour meter and battery indicator                                   | ●       | ●       |
| Key switch entry  | ●       | ●       |
| Electric power steering   | ●       | ●       |
| Speed regulated lift motor and proportional valve for lowering                            | ●       | ●       |
| Tandem load wheels Vulkollan  | ●       | ●       |
| Adjustable armrest  | ●       | ●       |
| Adjustable steering wheel   | ●       | ●       |
| Storage compartment under armrest   | ●       | ●       |
| Writing desk with paper clip  | ●       | ●       |
| Battery rollers   | ●       | ●       |
| Chill store design, down to -10°C   | ●       | ●       |
| <b>POWER SOURCE</b>   |         |         |
| Li-ion batteries*   | ●       | ●       |
| Lead acid batteries   | ●       | ●       |
| <b>ENVIRONMENT</b>  |         |         |
| Cold store design, 0C° to -30C°   | ●       | ●       |
| <b>DRIVE, LIFT CONTROLS</b>   |         |         |
| Height adjustable steering wheel  | ●       | ●       |
| Fingertip controls for lifting/lowering   | ●       | ●       |
| <b>WHEEL OPTIONS</b>  |         |         |
| Vulkollan   | ●       | ●       |
| Tractothan  | ●       | ●       |
| Super grip  | ●       | ●       |
| <b>OTHER OPTIONS</b>  |         |         |
| Ergo Forks Trailing Control   | ●       | ●       |
| 360-degree steering   | ●       | ●       |
| Multifunction display incl. BDI & hour meter, PIN code login(100 codes) and graphic icons | ●       | ●       |
| Foldable seat   | ●       | ●       |
| Load backrest   | ●       | ●       |
| Key switch entry (in combination with multifunctionn display)                             | ●       | ●       |
| Overhead guard  | ●       | ●       |
| Panoramic ProVision roof  | ●       | ●       |
| 12V DC Power Socket   | ●       | ●       |
| 5 V USB socket  | ●       | ●       |
| Accessory rack  | ●       | ●       |
| Writing desk incl. RAM C holder   | ●       | ●       |
| Accessory rack holder RAM system size C   | ●       | ●       |
| Accessory rack holder RAM system size C, 2 pcs  | ●       | ●       |
| Accessory rack holder RAM size D  | ●       | ●       |
| Working lights LED  | ●       | ●       |
| Increased drive speed   | ●       | ●       |
| Special RAL colour  | ●       | ●       |

\* Li-ion battery option is available in selected regions.

**PREMIA EX**

**PBR20-30N2**

**STAND-IN  
POWER PALLET**

2.0 - 3.0 tonnes



Adjustable armrest and steering wheel



Storage compartment under armrest



Multifunction display

# WHEN RELIABILITY IS EVERYTHING...



**PREMIA**  
THE NUMBER ONE

Number one for reliability... number one for productivity...  
whatever the conditions.

Compact, efficient and resilient, PREMIA powered pallet trucks  
meet every need.

Like any product bearing the "MITSUBISHI" name our materials handling equipment benefits from the tremendous heritage, huge resources and cutting-edge technology of one of the world's largest corporations – Mitsubishi Heavy Industries Group.

Engineering spacecraft, jet planes, power plants and more, MHI specialises in those technologies where performance, dependability and superiority decide your success or failure...

So when we promise you quality, reliability and value for money, you know it's a guarantee we have the power to deliver.

That's why every model in our award-winning and comprehensive range of lift trucks and warehouse equipment is built to a high specification – to ensure it keeps working for you. Day after day. Year after year. Whatever the job. Whatever the conditions.

## YOU'LL NEVER WORK ALONE

As your local authorised dealer, we are here to keep your trucks working – through our extensive experience, our technical excellence and our commitment to customer care.

We are your local experts, backed by efficient channels to the entire organisation of Mitsubishi Forklift Trucks.

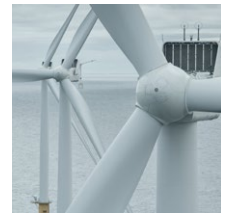
No matter where you are, we are close by – with the capability to meet your needs.

Discover how Mitsubishi Forklift Trucks give you more from your local authorised dealer or when you visit our website [www.mitforklift.com](http://www.mitforklift.com)

Performance specifications may vary depending on standard manufacturing tolerances, vehicle condition, types of tyres, floor or surface conditions, applications or operating environment. Trucks may be shown with non-standard options. Specific performance requirements and locally available configurations should be discussed with your distributor of Mitsubishi forklift trucks. We follow a policy of continual product improvement. For this reason, some materials, options and specifications could change without notice.

[info@mitforklift.com](mailto:info@mitforklift.com)

CESM2161 (03/22) © 2022 MLE



Mitsubishi Logisnext Europe B.V.  
Hefbrugweg 77, 1332 AM Almere  
The Netherlands  
Tel: +31 (0)36 5494 411



[mft2.eu/fb](http://mft2.eu/fb)



[mft2.eu/apps](http://mft2.eu/apps)



[mft2.eu/youtube](http://mft2.eu/youtube)



[mft2.eu/facebook](http://mft2.eu/facebook)

