

Barriere per bordo ponte

Guardrails for bridge



steel safety on roadways

Require Marcegaglia Buildtech full range of steel road safety barriers: from the **steel partner**, steel safety on roadways.

Marcegaglia Buildtech safety barriers solutions are part of Marcegaglia steel production chain and are engineered, assembled then **tested** in order to comply with specific **norm requirements**.

Certificazioni

Certifications - Zertifizierungen - Certifications - Certificaciones

- **RINA ISO 9001:2008** certificato N. 12370/05/S
- **IQNet - CISQ/RINA** Quality Management System **ISO 9001:2008** Registration N. IT-42009
- **Certificati CE** di costanza della prestazione

Crash tests

Crash tests - Crash-Tests - Essais de chocs - Crash tests



Classe H2 Bordo Ponte - Barriera PAB CE P 2 onde per manufatto W4

Class H2 Bridge side - 2-waves PAB CE P guardrail for bridge W4

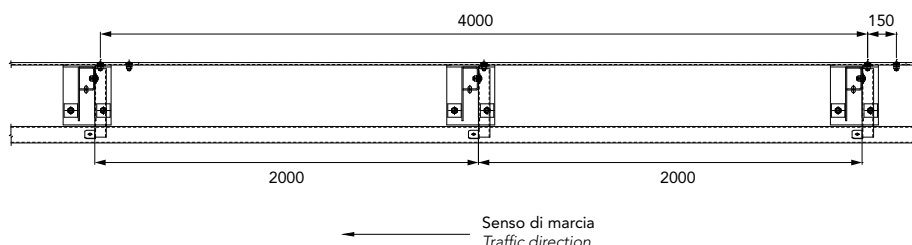
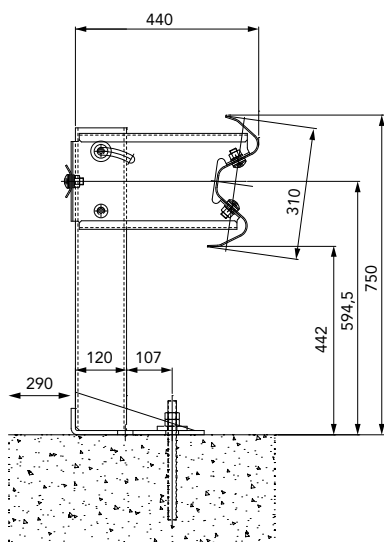
Aufhaltestufe H2 für Kunstbauten - 2-welliges PAB CE P Rückhaltesystem W4

Classe H2 Bord pont - Glissière PAB CE P 2 crosses simple pour pont W4

Clase H2 Borde de puente - Barrera PAB CE P de doble onda simple para base puente W4

H2-W4

PAB CE P 2-waves



Caratteristiche Characteristics, Eigenschaften, Caractéristiques, Características

Altezza fuori terra Height above ground level, Höhe über Grundboden, Hauteur hors sol, Altura sobre el suelo	750 mm
Profondità d'infissione tirafondi Depth of penetration, Rammtiefe, Profondeur de piling du poteau, Longitud hincada	200 mm
Ingombro trasversale Overall width, Gesamtbreite, Grosseur hors tout, Anchura total	440 mm
Interasse pali Post spacing, Steherabstand, Distance entre poteaux, Distancia entre postes	2000 mm

Rapporti di prova Crash test reports, Testberichte, Comptes rendus d'essais, Relaciones de pruebas

Test n.	Facility	Test	Type	Barrier length m	Mass kg	Speed km/h	ASI max 1.4	THIV max 33 km/h	D m	Vi m	W m
PAB/BSI-02/436A	LIER	TB51	Laterale 20°	84	13.000	70	-	-	1,25	2,0	1,3=W4
PAB/BPM001/1235	LIER	TB11	Laterale 20°	84	900	100	1=A	28	0,3	-	0,7=W2

Prove d'urto Impact test report nn. PS007/13 e PS008/13

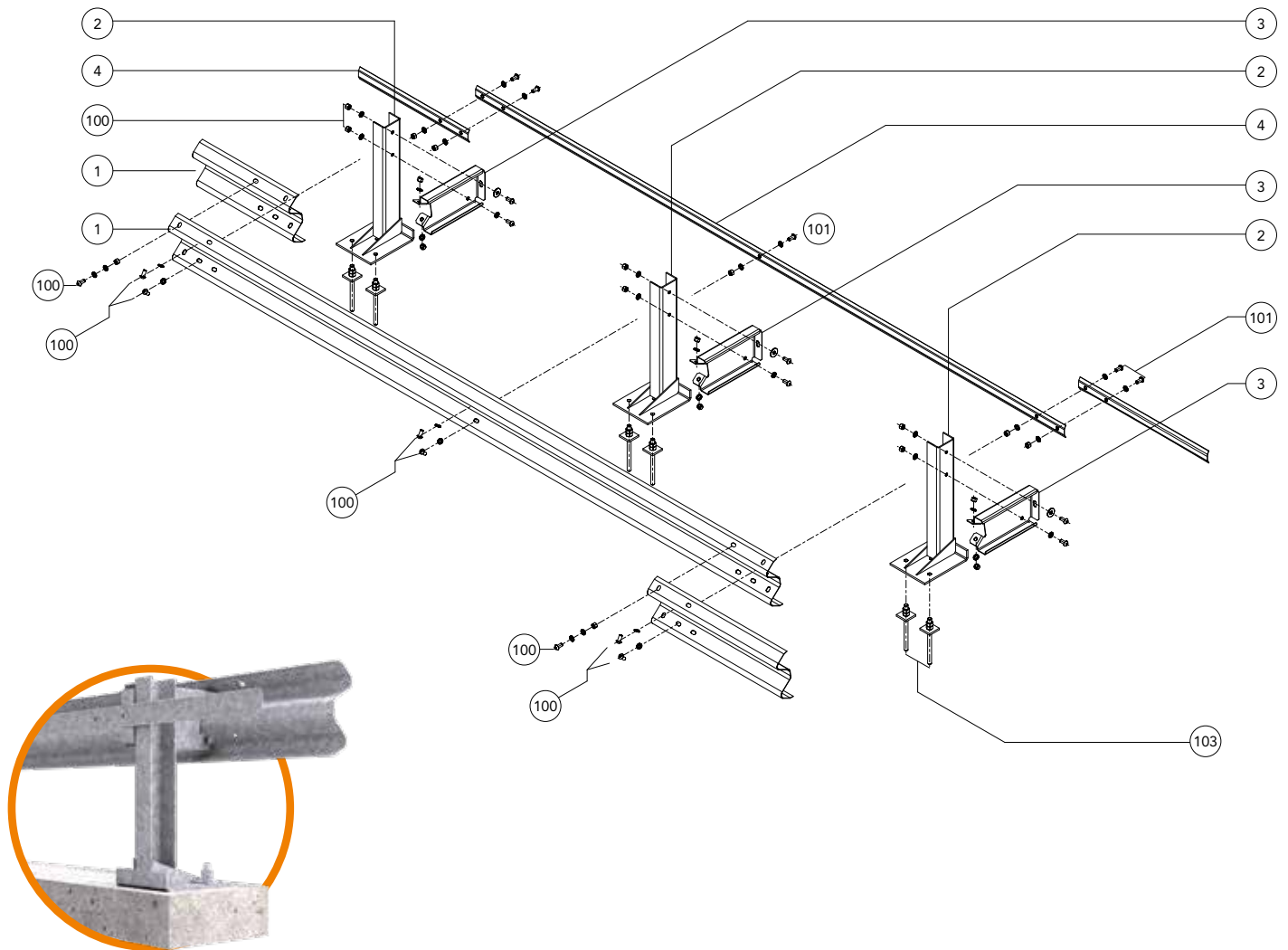
Sales office:

MARCEGAGLIA BUILDTECH guardrail division
 strada Roveri, 4
 15068 Pozzolo Formigaro, Alessandria - Italy
 phone +39 . 0143 77 61 • fax +39 . 0143 77 63 53

guardrail@marcegaglia.com
 www.marcegagliabuildtech.it

Plants:

MARCEGAGLIA BUILDTECH Pozzolo Formigaro
 strada Roveri, 4
 15068 Pozzolo Formigaro, Alessandria - Italy
 phone +39 . 0143 77 61 • fax +39 . 0143 77 63 53



Componenti Components, Bauteile, Composants, Elementos

	Descrizione Description		Materiale Material
103	Tirafondo + dadi + 1 rondella Anchor bolt + nuts + 1 washer, <i>Verbundklebeanschraube + Mütter + 1 Unterlegscheibe, Tire-fond + écrous + 1 rondelle, Varilla Roscada + tuercas + 1 arandela</i>	M20x280 mm	Classe 8.8
102	Rondella Washer, <i>Unterlegscheibe, Rondelle, Arandela</i>	18x48 mm	Acc.Zinc
101	Bullone completo Bolt with nut and washer, <i>Schraube komplett, Boulon complet, Tornillo completo con tuerca y arandela</i>	M16x40 mm	Classe 8.8
100		M16x35 mm	Classe 8.8
4	Piatto di collegamento Connection plate, <i>Anschlussplatte, Plaque de connexion, Platina de unión</i>	80x4250x3 mm	S 420 MC
3	Distanziatore Spacer, <i>Abstandhalter, Entretoise, Separador</i>	355x480x4 mm	S 275 JR
2	Palo "U" con piastra U-post with base plate, <i>U-Steher mit Grundplatte, Poteau en U avec plaque, Poste "U" con placa</i>	120x80x6 mm	S 275 JR
1	Fascia 2 onde 2-waves beam, 2-wellige Leitschiene, <i>Glissière 2 crosses, Banda doble onda</i>	486x4320x3 mm	S 420 MC