

TRUCK CRANE ZTC1000

ZOOMLION

Zoomlion Heavy Industry Science & Technology Co.,Ltd.

Add:No.677 LuGu Road Zoomlion Industrial Park Changsha, Hunan , China , 410205

Copyright ©2017 zoomlion, All rights reserved. Reproduction and copying of any part of the Contents is not allowed for any purposes without Zoomlion's written approval.
Note: No product coating appearance shall be subject to sample.



ZOOMLION



2.1 Highlights:

1, This high-tech product, combining mechanical, electrical and hydraulic systems as a whole, has so many advantages, such as good control performance, excellent mirco-positioning performance, great lifting capacity and super lifting height.

2, The 5-axle chassis with 6-section main boom 63m, total lifting height with jib reaches 82.5m, with additional extension jib, lifting height can reach 90.5m.

3, The latest electro-hydraulic proportional directional control valve with load sensing function ensures that each mechanism makes full use of its movement efficiently.

4, Fully equipped with safety devices, such as relief valve, balance valve and electronically safety devices, enable your stuff and machines safety.



2.2 Technical data

	Item	Value	Remarks	
Work performance	Max. rated lifting capacity	kg	100000	At 3 m radius
	Max. load moment of basic boom	kN.m	4000	At 5 m radius
	Max. load moment of main boom (fully extended)	kN.m	1860	At 30 m radius
	Max. lifting height of basic boom	m	14.0	
	Max. lifting height of main boom	m	64.0	The parameters do not include deflection of main boom and jib.
	Max. lifting height of jib	m	82.5 / (90.5)	The value in the brackets is the value with the extension installed.
Work speeds	Max. hoist rope speed (Main winch)	m/min.	110	At the 5th layer
	Max. hoist rope speed (Auxiliary winch)	m/min.	75	At the 3rd layer
	Boom derricking up time	s	70	
	Boom extending time	s	13	
	Max. slewing speed	r/min.	1.5	
Driving	Max. height above sea level	m	2000	
	Max. driving speed	km/h	75	
	Max. gradeability	%	40	
	Min. turning diameter	m	≤23	
	Min. ground clearance	mm	300	
	Limits for exhaust pollutants and smoke		Conform to related standards	GB3847-2005 GB17691-2005 (National Stage III)
	Fuel consumption per hundred kilometers	L	70	
Mass	Deadweight in driving condition	kg	58400	
	Complete vehicle kerb mass	kg	58205	
	Load on axles 1 and 2	kg	10800/10800	
	Load on axles 4 and 5	kg	26000 dual-axle /10800	
Dimensions	Overall dimensions (L × W × H)	mm	15400×3000×3950	
	Outrigger spread (L)	m	8.05	
	Outrigger spread (W)	m	7.6 (fully extended), 5.4 (intermediately extended)	
	Main boom length	m	13.5-63.0	
	Boom angle	°	-0.5-82	
	Jib length	m	11 、 18.6	
	Jib + extension length	m	26.6	
	Offset	°	0 、 30	

2.3 Lifting capacity tables

Table 13

Unit: Metric tons

Outriggers fully extended, with 6 tons counterweight, over full range											
Jib length		11m				18.6m				26.6m	
Boom length		58.5m		63m		58.5m		63m		58.5m	63m
angle	offset	0°	30°	0°	30°	0°	30°	0°	30°	0°	0°
82°		6	4.5	5.5	4	4.5	2.5	4	2	2.5	2.2
80°		6	4.2	5.5	4	4.2	2.4	3.8	2	2.4	2.1
78°		6	4.1	5.5	4	4	2.3	3.6	2	2.3	2
76°		5.8	4	5.2	3.8	3.7	2.2	3.3	1.9	2.2	1.9
74°		5.3	3.9	4.4	3.6	3.5	2.1	3	1.8	2.1	1.8
72°		4.5	3.7	3.7	3	3.2	2	2.6	1.7	2	1.6
70°		3.7	3.1	3	2.5	2.6	1.8	2	1.5	1.8	1.3
68°		3.1	2.6	2.4	2	2.2	1.6	1.6	1.2	1.4	0.9
66°		2.5	2.1	1.9	1.6	1.7	1.3	1.1	0.8	1	
64°		2	1.7	1.4	1.2	1.3	1	0.8			
62°		1.5	1.3	1	0.9						
60°		1.2	1	0.7							
58°		0.8	0.7								
Reeving		1									
Hook		7 T									
Telescoping mode	I	3	4	3	4	3	4	3	4	3	4
	II	3	4	3	4	3	4	3	4	3	4
	III	3	4	3	4	3	4	3	4	3	4
	IV	3	4	3	4	3	4	3	4	3	4
	V	3	4	3	4	3	4	3	4	3	4

Table 14

Unit: Metric tons

Outriggers intermediately extended, with 32 tons counterweight, over full range											
Jib length		11m				18.6m				26.6m	
Boom length		58.5m		63m		58.5m		63m		58.5m	63m
angle	offset	0°	30°	0°	30°	0°	30°	0°	30°	0°	0°
82°		6	4.5	5.5	4	4.5	2.5	4	2	2.5	2.2
80°		6	4.2	5.5	4	4.2	2.4	3.8	2	2.4	2.1
78°		6	4.1	5.5	4	4	2.3	3.6	2	2.3	2
76°		5.8	4	5.2	3.8	3.7	2.2	3.3	1.9	2.2	1.9
74°		5.6	3.9	4.8	3.6	3.5	2.1	3	1.9	2.1	1.8
72°		5.2	3.8	4.4	3.5	3.2	2	2.8	1.8	2	1.7
70°		4.8	3.7	4.2	3.4	3	1.9	2.6	1.8	1.8	1.6
68°		4.5	3.6	4	3.3	2.8	1.8	2.4	1.7	1.7	1.4
66°		4.2	3.5	3.7	3.1	2.6	1.8	2.3	1.6	1.5	1.3
64°		3.9	3.4	3.2	2.9	2.5	1.7	2.2	1.6	1.4	1.2
62°		3.4	3.1	2.7	2.5	2.3	1.7	1.9	1.5	1.3	1.1
60°		3	2.7	2.4	2.1	2.1	1.6	1.6	1.3	1.2	1
58°		2.6	2.4	2	1.8	1.8	1.5	1.3	1.1	1.1	0.7
56°		2.3	2.1	1.7	1.5	1.5	1.3	1	0.8	0.9	
54°		2	1.8	1.4	1.3	1.2	1	0.7		0.7	
52°		1.7	1.5	1.1	1	1	0.8				
50°		1.4	1.3	0.9	0.8						
48°		1.2	1.1	0.7							
46°		1	0.9								
44°		0.8	0.7								
Reeving		1									
Hook		7 T									
Telescoping mode	I	3	4	3	4	3	4	3	4	3	4
	II	3	4	3	4	3	4	3	4	3	4
	III	3	4	3	4	3	4	3	4	3	4
	IV	3	4	3	4	3	4	3	4	3	4
	V	3	4	3	4	3	4	3	4	3	4

Table 15

Unit: Metric tons

Outriggers intermediately extended, with 28 tons counterweight, over full range											
Jib length		11m				18.6m				26.6m	
Boom length		58.5m		63m		58.5m		63m		58.5m	63m
angle	offset	0°	30°	0°	30°	0°	30°	0°	30°	0°	0°
82°		6	4.5	5.5	4	4.5	2.5	4	2	2.5	2.2
80°		6	4.2	5.5	4	4.2	2.4	3.8	2	2.4	2.1
78°		6	4.1	5.5	4	4	2.3	3.6	2	2.3	2
76°		5.8	4	5.2	3.8	3.7	2.2	3.3	1.9	2.2	1.9
74°		5.6	3.9	4.8	3.6	3.5	2.1	3	1.9	2.1	1.8
72°		5.2	3.8	4.4	3.5	3.2	2	2.8	1.8	2	1.7
70°		4.8	3.7	4.2	3.4	3	1.9	2.6	1.8	1.8	1.6
68°		4.5	3.6	3.7	3.3	2.8	1.8	2.4	1.7	1.7	1.4
66°		4	3.5	3.2	2.8	2.6	1.8	2.3	1.6	1.5	1.3
64°		3.4	3	2.7	2.4	2.4	1.7	1.9	1.5	1.4	1.2
62°		3	2.6	2.3	2.1	2.1	1.7	1.5	1.3	1.3	0.9
60°		2.5	2.3	2	1.7	1.7	1.4	1.2	1	1.1	0.7
58°		2.2	2	1.6	1.4	1.4	1.2	0.9	0.7	0.8	
56°		1.8	1.7	1.3	1.1	1.1	0.9	0.7			
54°		1.5	1.4	1	0.9	0.9	0.7				
52°		1.2	1.1	0.8	0.7						
50°		1	0.9								
48°		0.8	0.7								
Reeving		1									
Hook		7 T									
Telescoping mode	I	3	4	3	4	3	4	3	4	3	4
	II	3	4	3	4	3	4	3	4	3	4
	III	3	4	3	4	3	4	3	4	3	4
	IV	3	4	3	4	3	4	3	4	3	4
	V	3	4	3	4	3	4	3	4	3	4

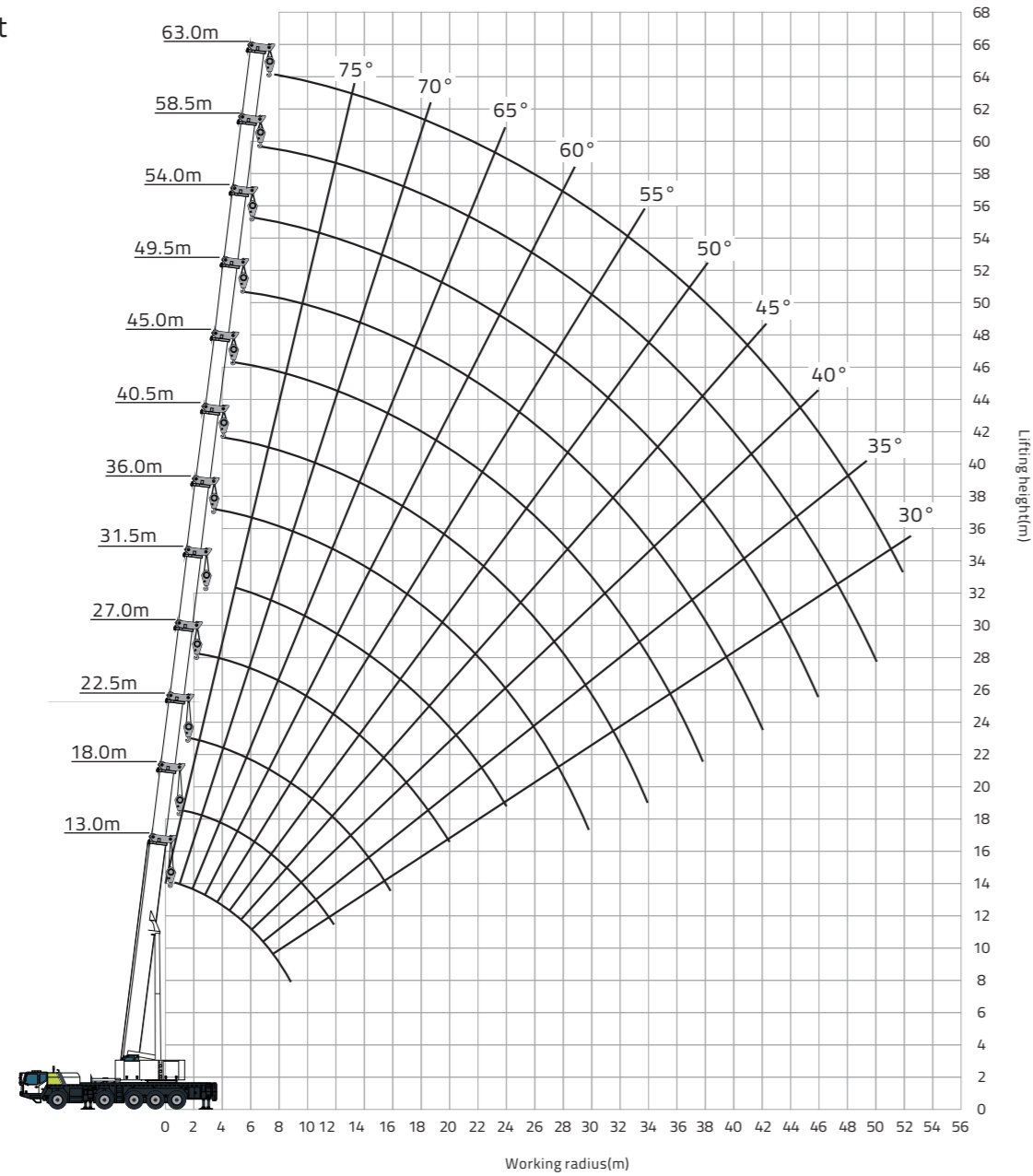
Table 16

Unit: Metric tons

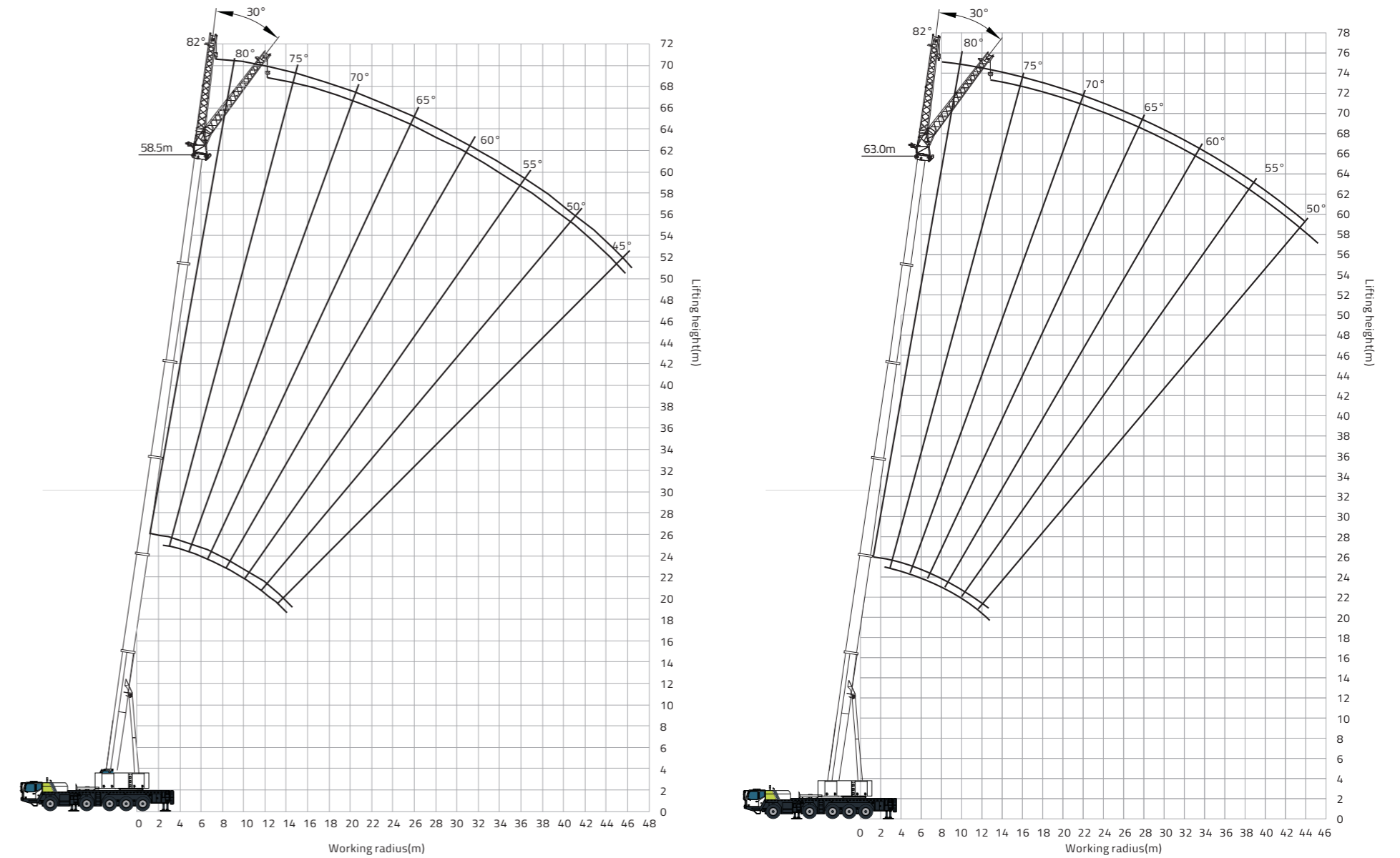
Outriggers intermediately extended, with 20 tons counterweight, over full range											
Jib length		11m				18.6m				26.6m	
Boom length		58.5m		63m		58.5m		63m		58.5m	63m
angle	offset	0°	30°	0°	30°	0°	30°	0°	30°	0°	0°
82°		6	4.5	5.5	4	4.5	2.5	4	2	2.5	2.2
80°		6	4.2	5.5	4	4.2	2.4	3.8	2	2.4	2.1
78°		6	4.1	5.5	4	4	2.3	3.6	2	2.3	2
76°		5.8	4	5.2	3.8	3.7	2.2	3.3	1.9	2.2	1.9
74°		5.5	3.9	4.7	3.6	3.5	2.1	3	1.9	2.1	1.8
72°		4.9	3.8	4	3.4	3.2	2	2.8	1.8	2	1.7
70°		4.2	3.5	3.4	2.9	3	1.9	2.4	1.7	1.8	1.5
68°		3.5	3	2.8	2.4	2.5	1.8	1.9	1.5	1.7	1.2
66°		3	2.5	2.3	2	2	1.6	1.5	1.1	1.3	0.9
64°		2.4	2.1	1.8	1.6	1.6	1.3	1.1	0.8	1	
62°		2	1.7	1.4	1.2	1.2	1	0.8		0.7	
60°		1.6	1.4	1.1	0.9	0.9	0.7				
58°		1.2	1.1	0.7							
56°		0.9	0.8								
Reeving		1									
Hook		7 T									
Telescoping mode	I	3	4	3	4	3	4	3	4	3	4
	II	3	4	3	4	3	4	3	4	3	4
	III	3	4	3	4	3	4	3	4	3	4
	IV	3	4	3	4	3	4	3	4	3	4
	V	3	4	3	4	3	4	3	4	3	4

2.4 Lifting height chart

2.4.1 Main boom lifting height chart

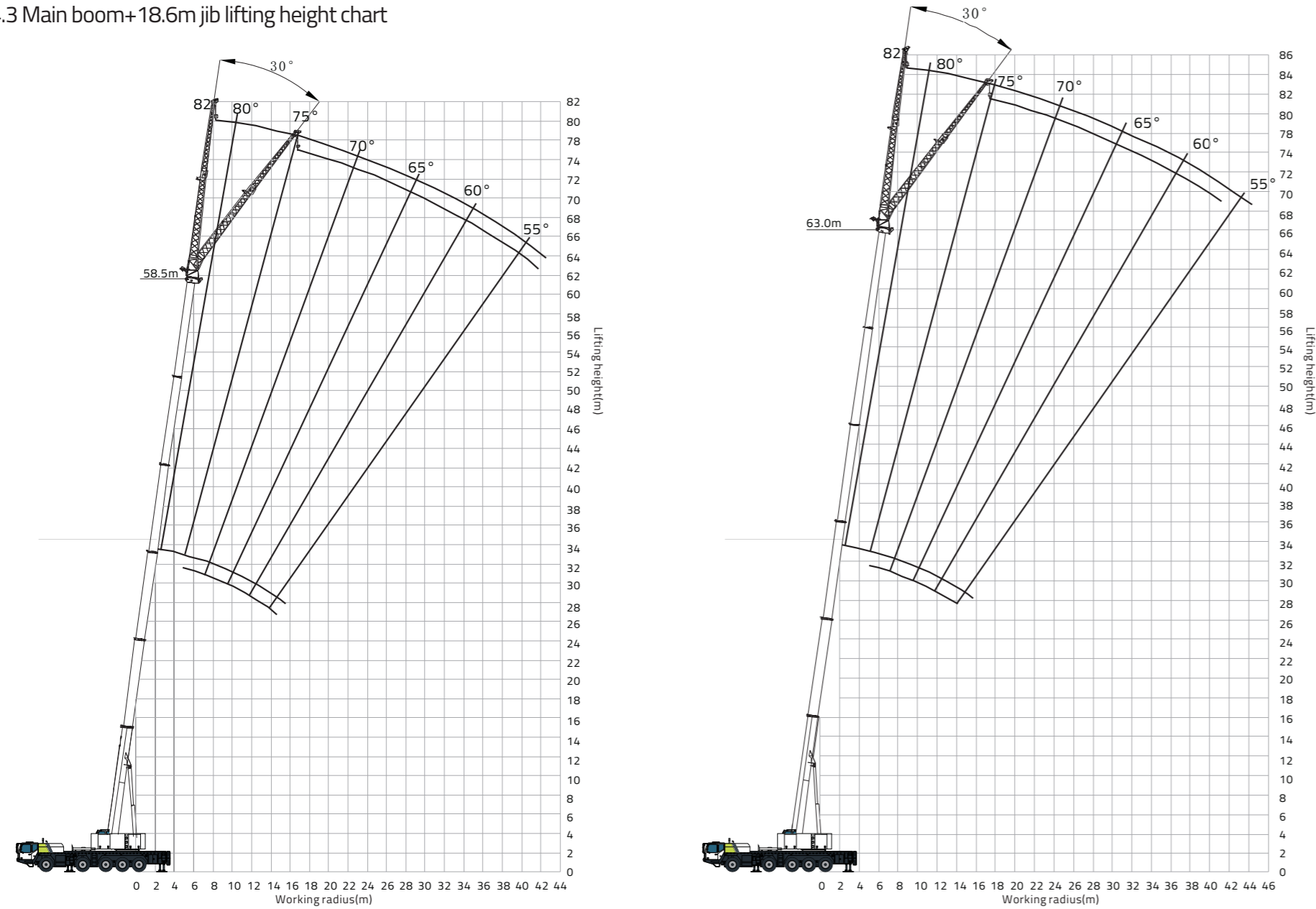


2.4.2 Main boom+11m jib lifting height chart

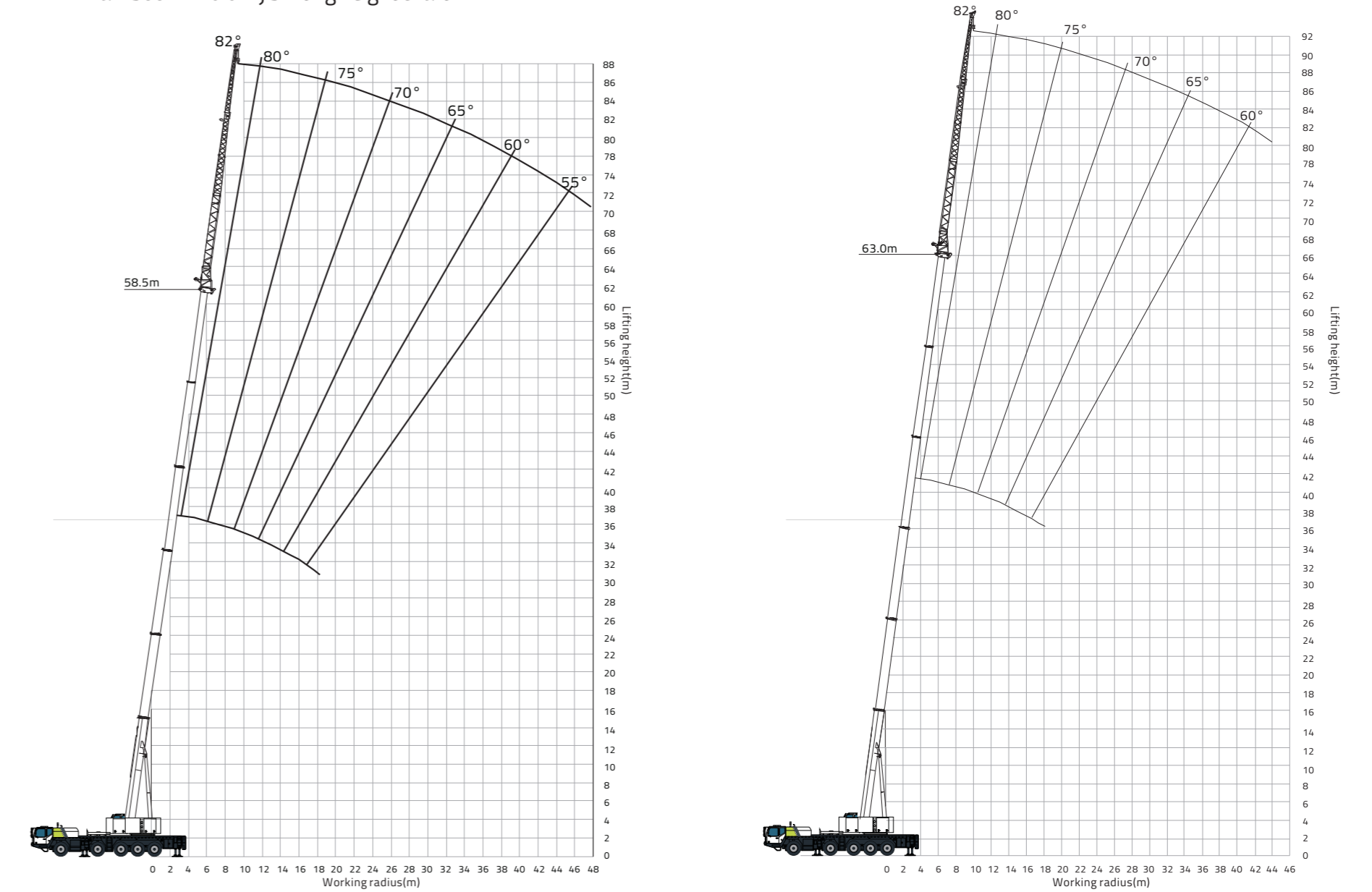


2.4 Lifting height chart

2.4.3 Main boom+18.6m jib lifting height chart

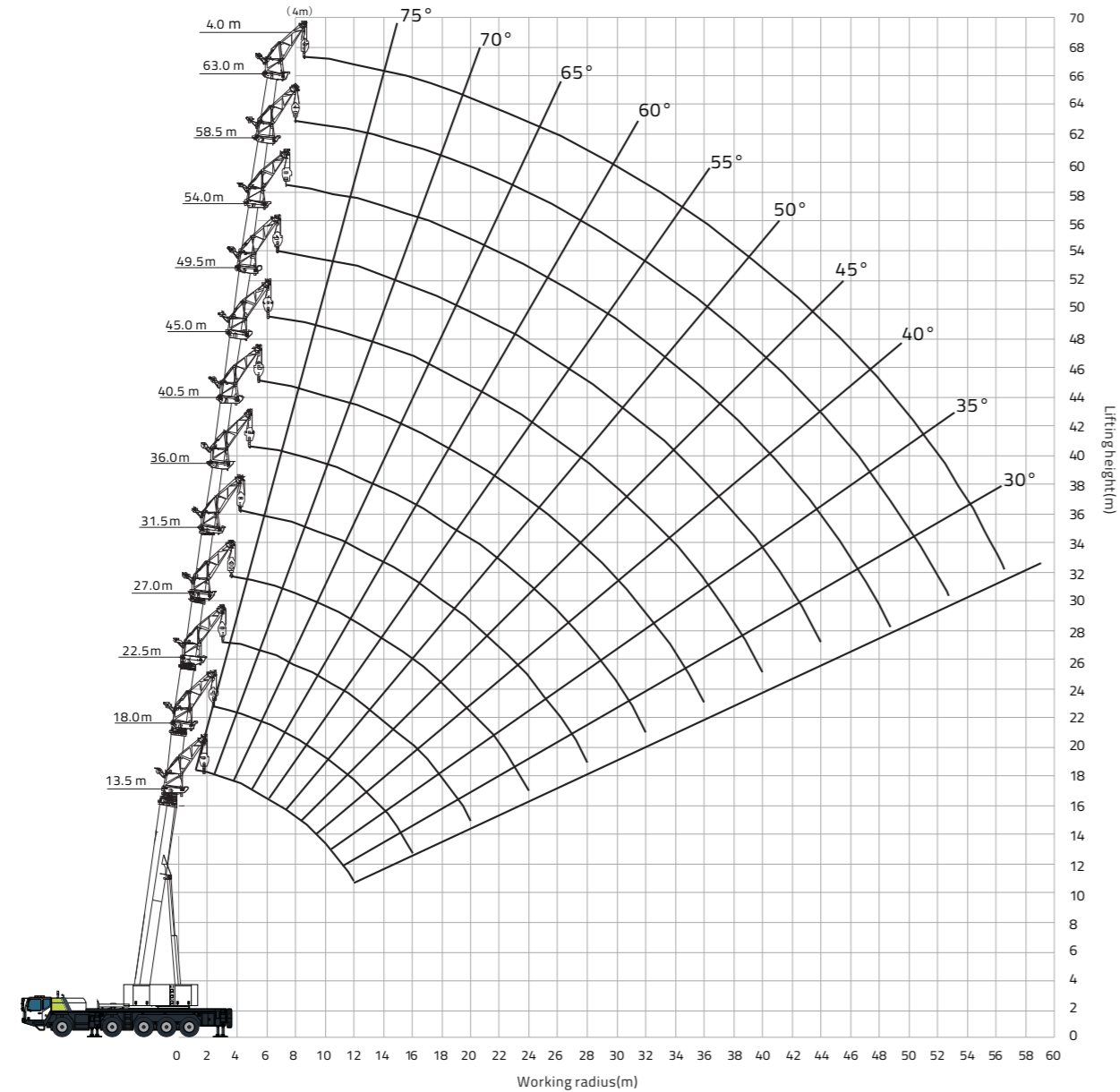


2.4.4 Main boom+26.6m jib lifting height chart

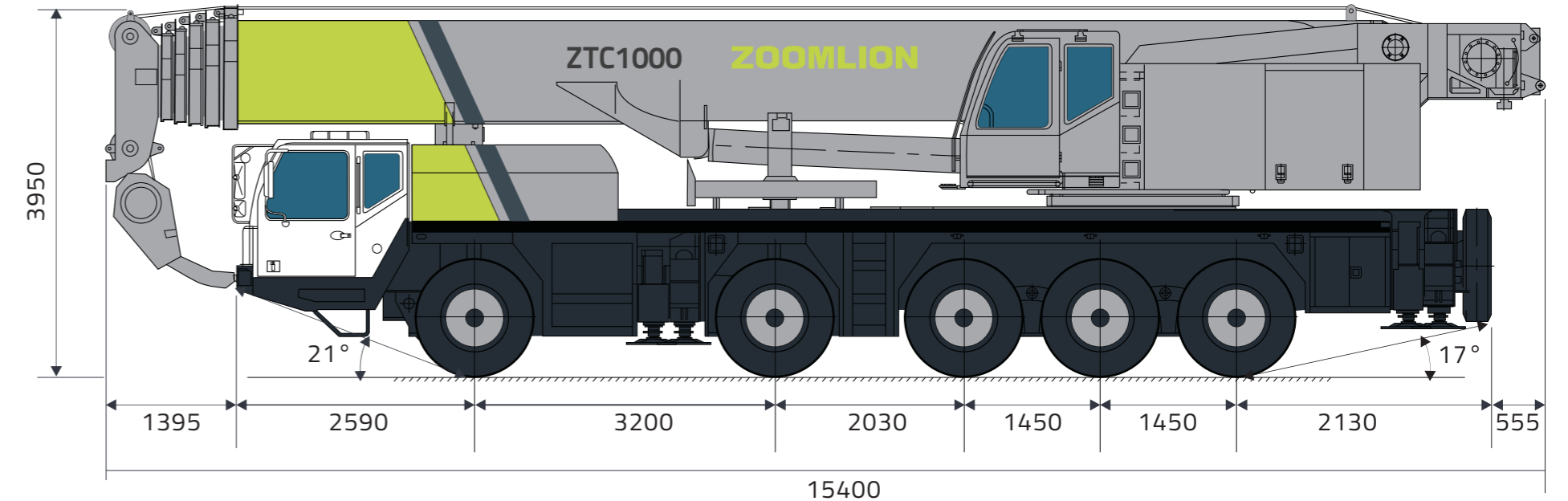


2.4 Lifting height chart

2.4.5 Main boom+ goose-head jib lifting height chart



2.5 Overall dimension in driving condition



(Unit:Metric mm)

(Product specifications are subject to change without notice and obligation. The photographs and/or drawing in this document are for illustrative purposes only. Please consult your local ZOOMLION dealers for more information.)