

- Outstanding repeatability and linearity
- Dual seal design for extended reliability and longer life
- Self-aligning pivot bearing mountings
- Elastomer damped wipers for shock and vibration durability
- Potentiometric output
- VXP series for extended environmental performance



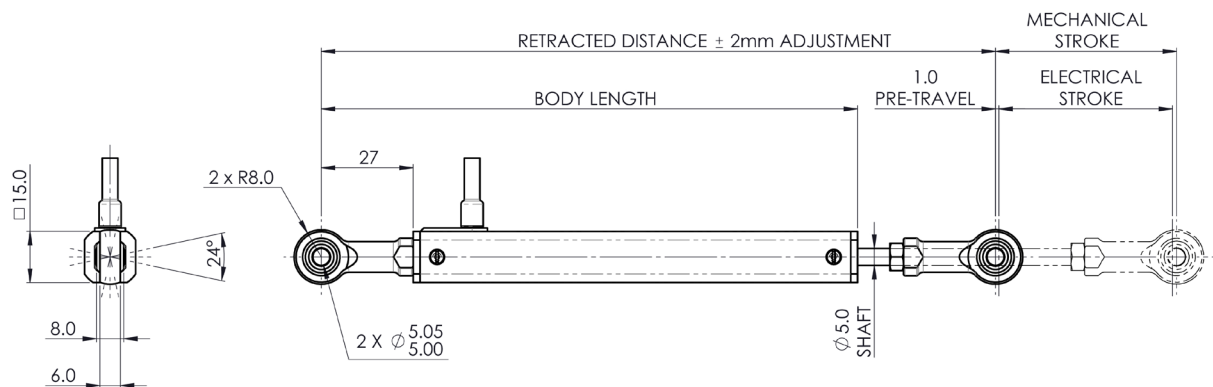
The well proven VLP/VXP series linear position sensor is available up to 250 mm stroke lengths in 25 or 50 mm increments. With self-aligning spherical bearing mounts and an improved O-ring and felt shaft sealing arrangement, the range provides up to +/- 0.1% independent linearity and positioning repeatability to 0.01 mm. Choose the VLP series for IP65 rating with temperature range -40 to +100°C, or the VXP series for extended environmental performance with IP67 rating and temperature range from -40 to +150°C - with a short term limit of 175°C. The conductive plastic resistance element technology utilised in the VLP/VXP series maintains complete and even contact with very low electrical noise, even under the most arduous physical and environmental conditions.

Specifications

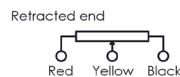
Electrical stroke	25 to 250 mm (8 measurement range options)	Operating temperature	VLP = -40 to +100°C; VXP = -40 to +150°C and 175°C short term
Mechanical stroke	+1.5 mm of electrical stroke	Max. supply voltage	42 V DC
Typ. linearity	Up to +/- 0.1% (see table)	Cable type	Raychem 55, 24 AWG
Resolution	Infinite	Cable length	600mm (screened)
Repeatability	Up to +/- 0.01 mm	Life	> 25 x 10 ⁶ Cycles
Max operating speed	10 m/sec max.	Sealing	VLP = IP65; VXP = IP67
Shock	50 g, 10ms		

Dimensions & wiring

VLP

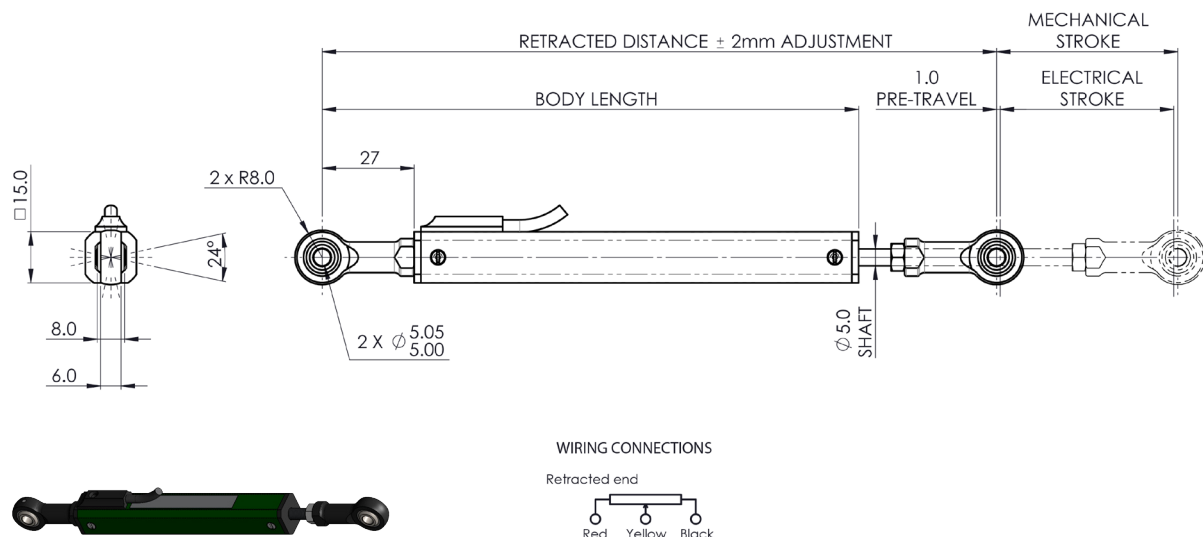


WIRING CONNECTIONS



Dimensions & wiring (cont.)

VXP

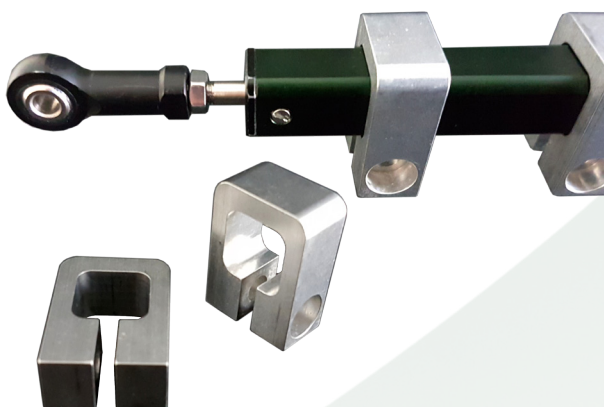


VLP / VXP - model code		25	50	75	100	150SE	150	200	250
Total electrical travel - TE	mm	27	52	77	102	152	152	202	250
Active electrical travel - AE	mm	25	50	75	100	150	150	200	250
Resistance +/- 20%	k Ω	2.5	5	5	5	10	10	10	10
Independent linearity	+/- %	0.2	0.2	0.2	0.1	0.1	0.1	0.1	0.1
Retracted mounting distance +/- 2 mm	mm	173	198	223	248	273	298	351	401
Body length	mm	132.5	157.5	182.5	207.5	248.5	257.5	310.5	360.5

Mounting bracket and protective cover options

The VLP/VXP series linear position sensor is available with an optional mounting bracket and a protective cover:

Mounting bracket - part no. 15858



Protective cover - part no. 4346
(For measuring ranges 50 - 100mm)

