

DIMENSIONS / WEIGHT

Upper diameter (inside): 278,0 mm (b)
 Upper diameter (with flange): 294,1 mm (a)
 Upper diameter (with handles): 294,2 mm
 Bottom diameter (external): 258,3 mm (c)

Height (with standard lid): 221,0 mm (h)
 Height (with lid for foiling): 229,2 mm

Nominal capacity: 10 000 ml
 Total capacity: 12 000 ml
 Total usable capacity: 11 000ml

Container weight: 243,7 g
 Handle weight (strap): 10,0 g (standard)
 Handle weight (PP): 20,0 g (optional)
 Handle weight (metal): 40,5 g (optional)

Weight tolerance: +/- 5%
 Dimension tolerance: +/- 1mm

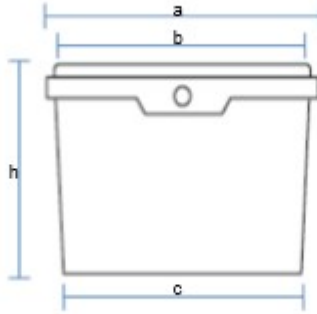
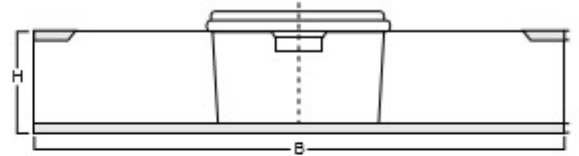


PHOTO OF PRODUCT



DECORATION

| | Dry offset (up to 6 colors) | IML |
|-------------|-----------------------------|----------|
| Width (B): | 850,0 mm | 840,0 mm |
| Height (H): | 165,0 mm | 193,5 mm |



Detailed die cutter of IML label is available after contact with the Sales Department

LIDS

Name: P-10FB
 Foiling: YES
 Weight: 78 g
 IML: NO
 Offset: NO



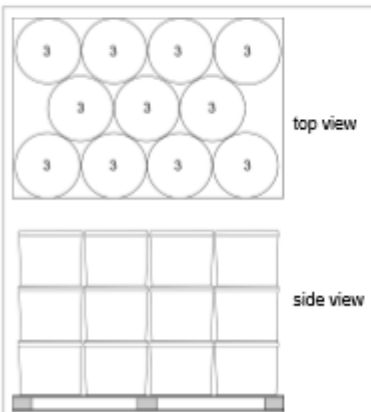
Name: P-10LB/1
 Foiling: NO
 Weight: 65,9 g
 IML: YES
 Offset: NO



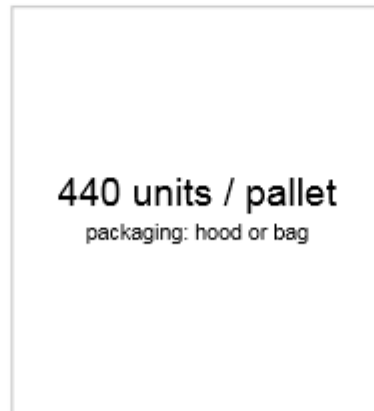
RAW MATERIAL / TRANSPORT AND WAREHOUSING

- Buckets and lids are made of polypropylene (pp)
- Warehousing: In the case of stacking pallets with filled containers put weight uniformly, using for example proper separators.
- Filling and closing conditions: max. content temperature during filling 95°C, during stacking content temperature should be lower than 45°C. Put not more than 2 warm containers in the stack. When temperature decrease to 25-30° containers are characterized by optimal rigidity and mechanical parameters allowing stacking for maximal static load as below.
- Load on the lower container:
 - Static (T<23°C) : < 40 kg Transparent containers < 32 kg
- Transportation of filled containers: Containers may be stacked to the 66% of maximal static load.
- Palletizing of containers: Product with density 1,1 g/cm3 according to the customer practice giving consideration to the mentioned earlier values.
- All materials and dyes used to produce container or lid designed for the food sector are approved for food contact.
- This guarantee is valid 12 months from date of delivery. During this time, the package should be used. All packages from a single pallet should be used immediately after unpacking.
- Manufacturer is not responsible for container deformation because of stacking of single pallets or putting on them an extra load.

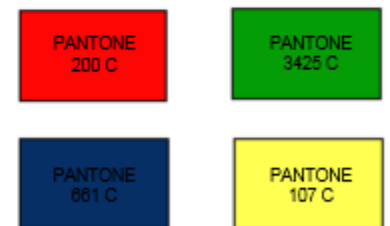
PALLETIZATION FILLED CONTAINERS



PALLETIZATION AT DELIVERY



STANDARD COLOURS



The product is available in white, transparent or colored according to customer specifications