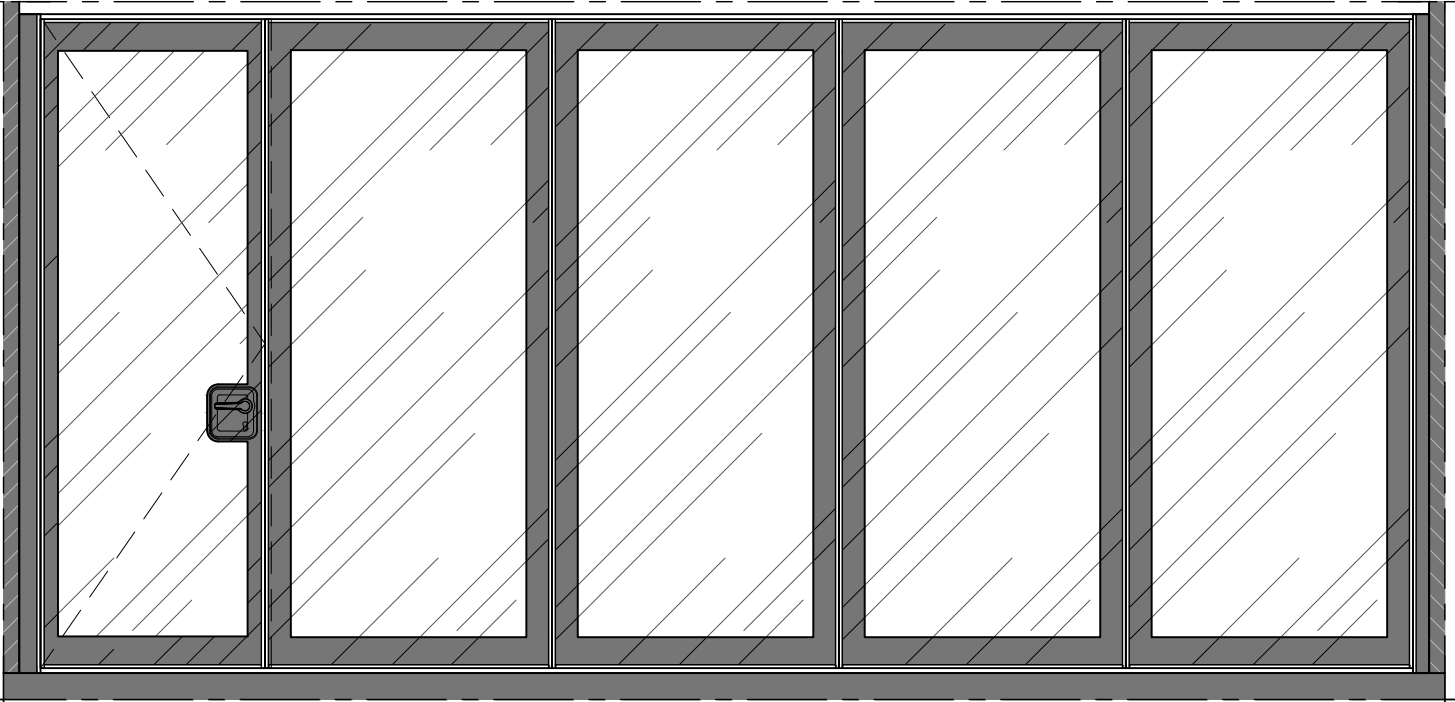


Visio 100 Elite laquered glass



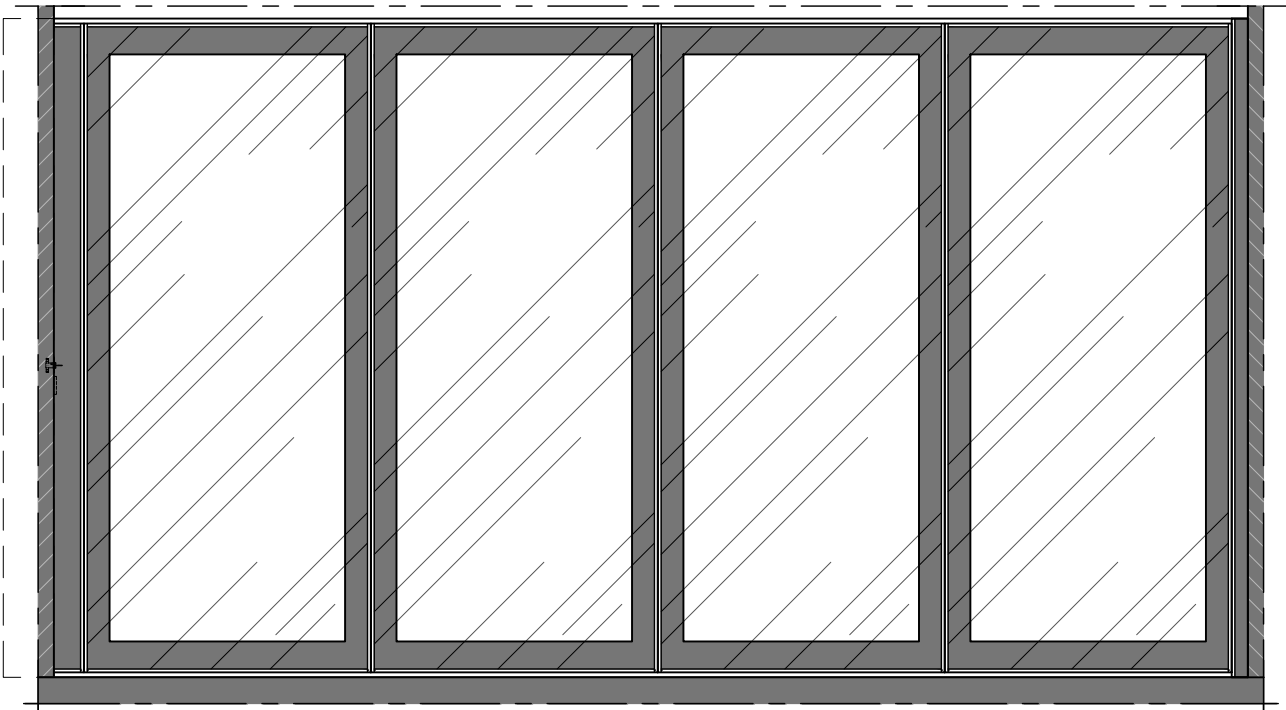
Communication panel

Basic panel

Basic panel

Basic panel

Basic panel



Telescopic wall jamb

Basic panel

Basic panel

Basic panel

Basic panel

ESPERO

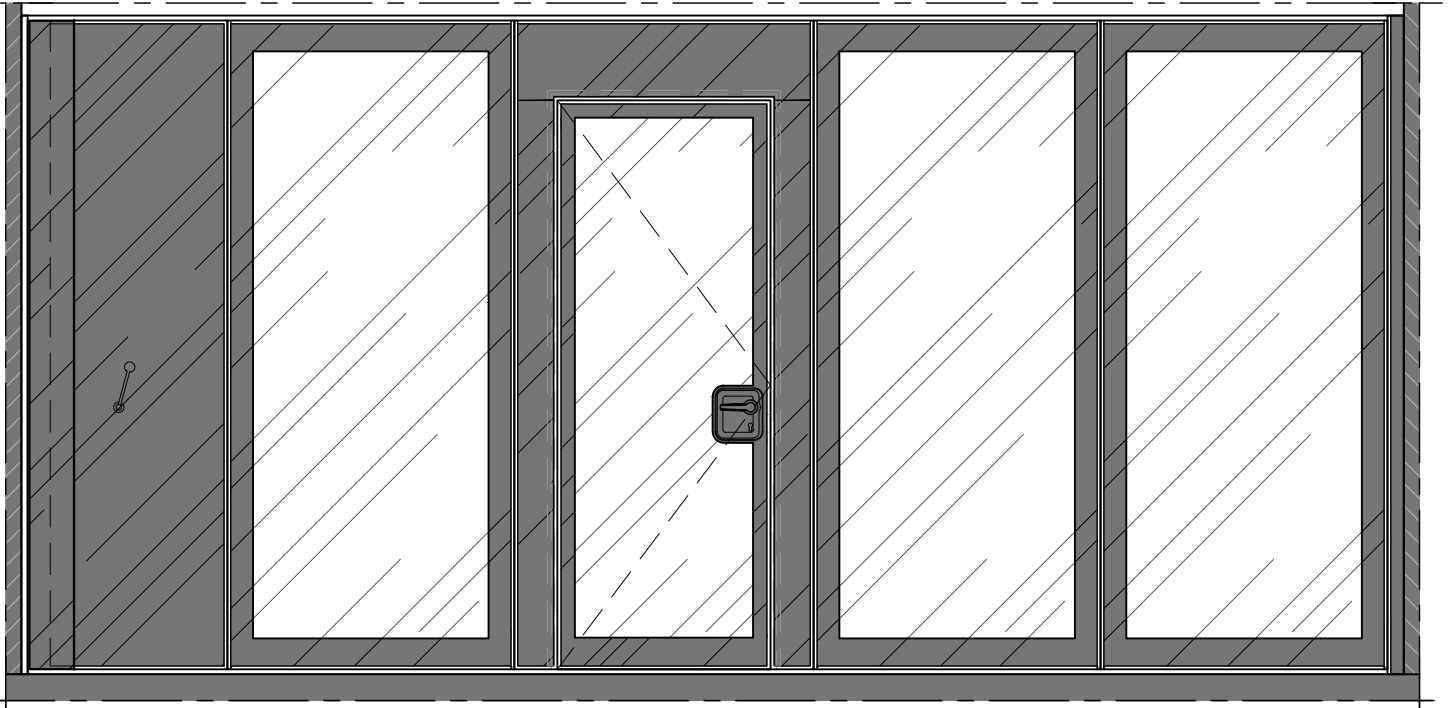
www.espero.eu
info@espero.eu
+31(0)416 338955

Type: Visio 100 Elite

Date: 01-2020

Drawing no: V100E-01

Visio 100 Elite lacquered glass



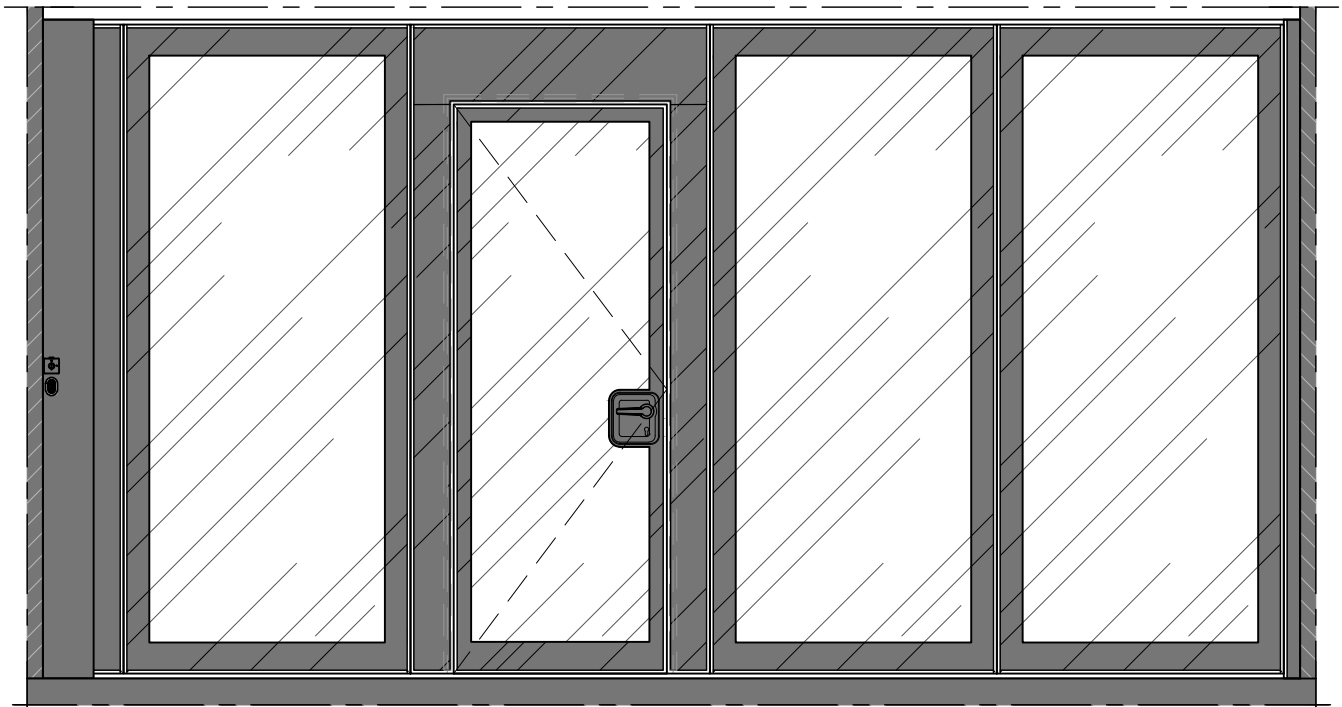
Telescopic panel

Basic panel

Deurpaneel

Basic panel

Basic panel



Telescopic wall jamb

Basic panel

Deurpaneel

Basic panel

Basic panel

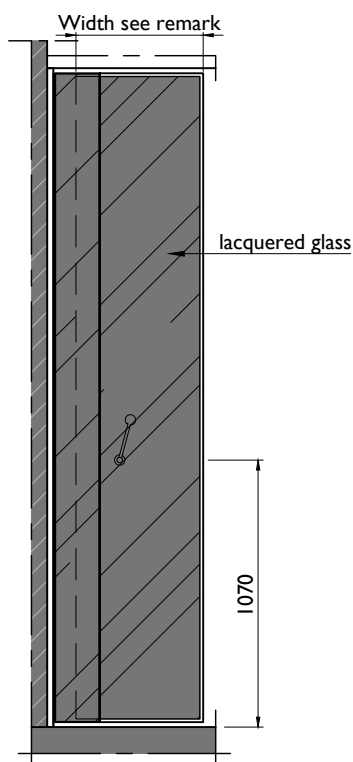
ESPERO

www.espero.eu
info@espero.eu
+31(0)416 338955

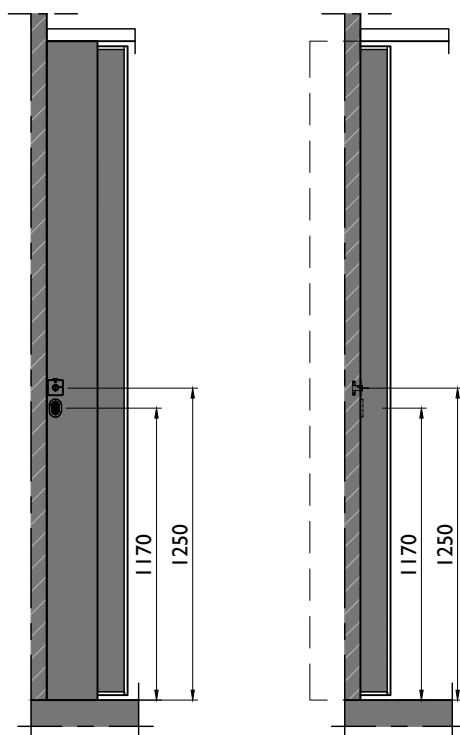
Type: Visio 100 Elite

Date: 01-2020

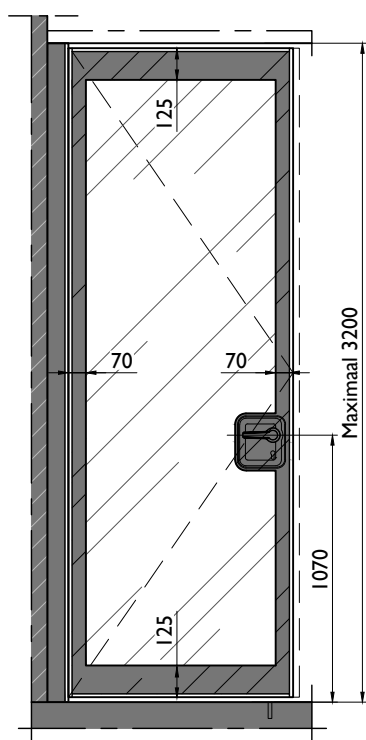
Drawing no: V100E-02



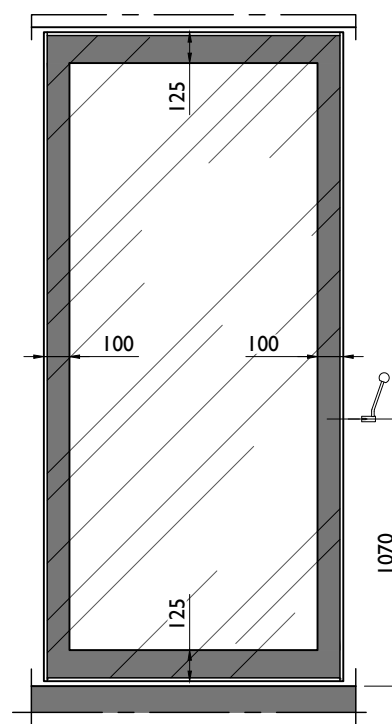
Telescopic panel



Telescopic wall jamb



Communication panel



Basic panel

Width 1-point Telescopic panel: minimum 510 / maximum 1200

Width 2-point Telescopic panel: minimum 710 / maximum 1200

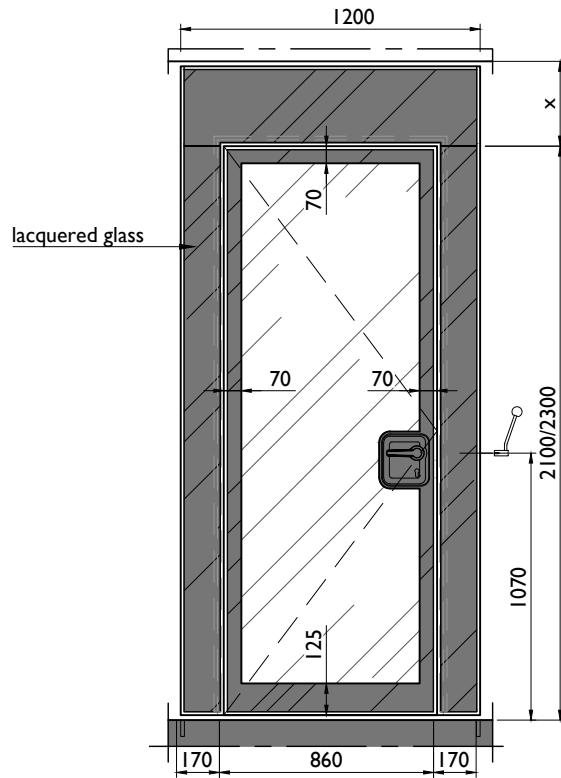
ESPERO

www.espero.eu
 info@espero.eu
 +31(0)416 338955

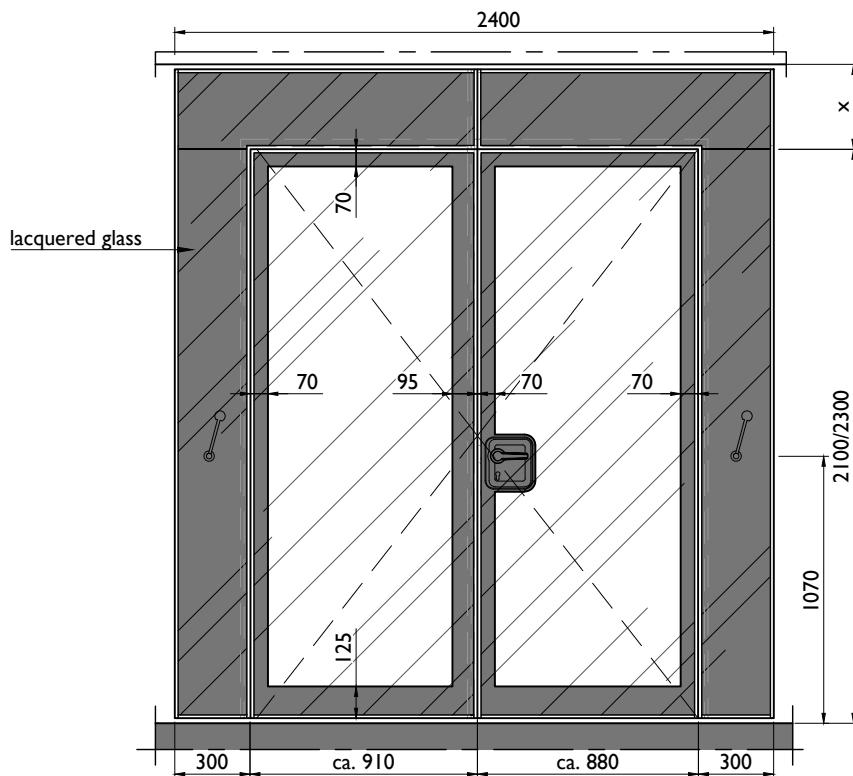
Type: Visio 100 Elite

Date: 01-2020

Drawing no: V100E-03



Door panel



Double door panel

Manuel, $x = \min 340$ / Semi-automatic, $x = \min 410$

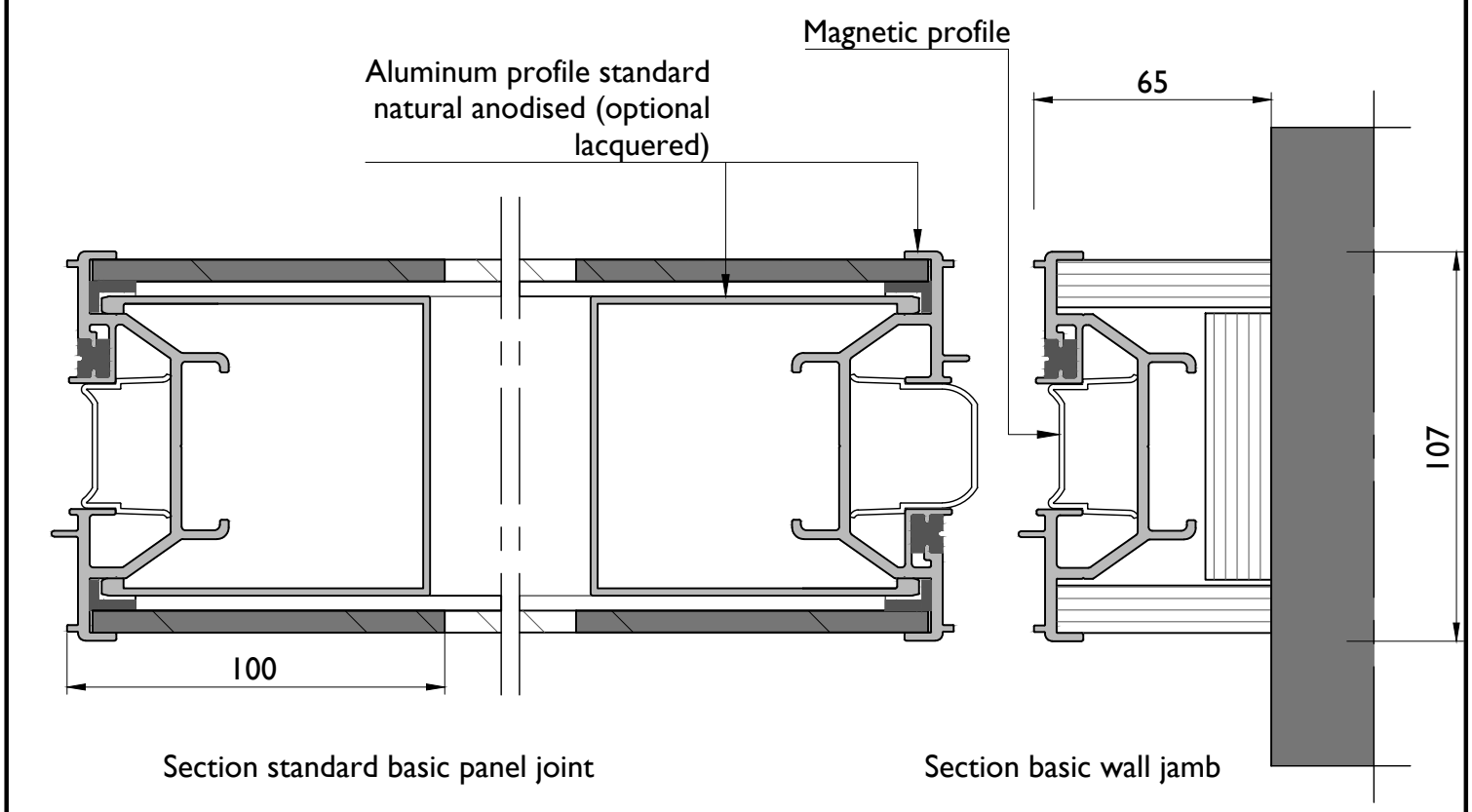
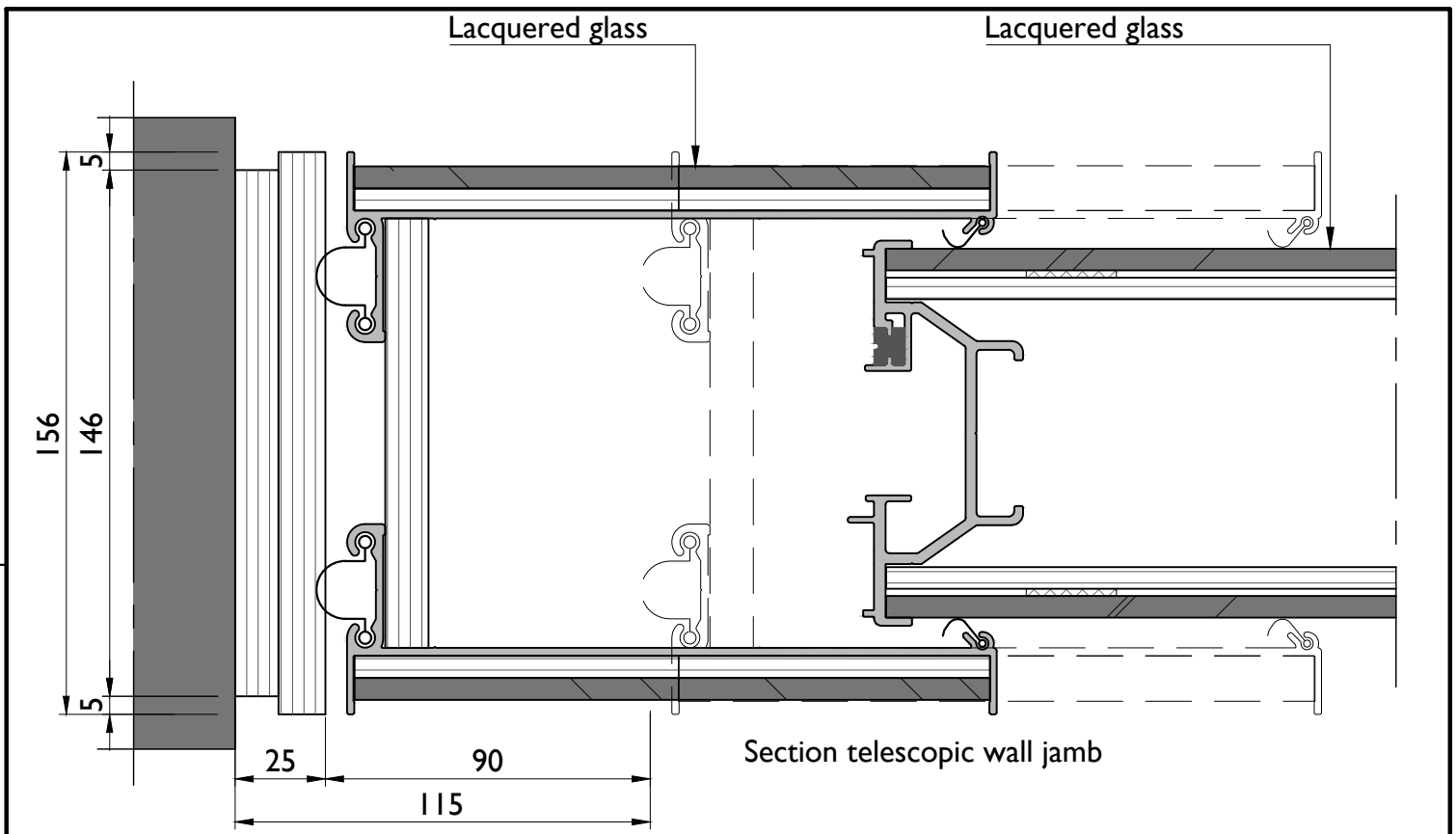
ESPERO

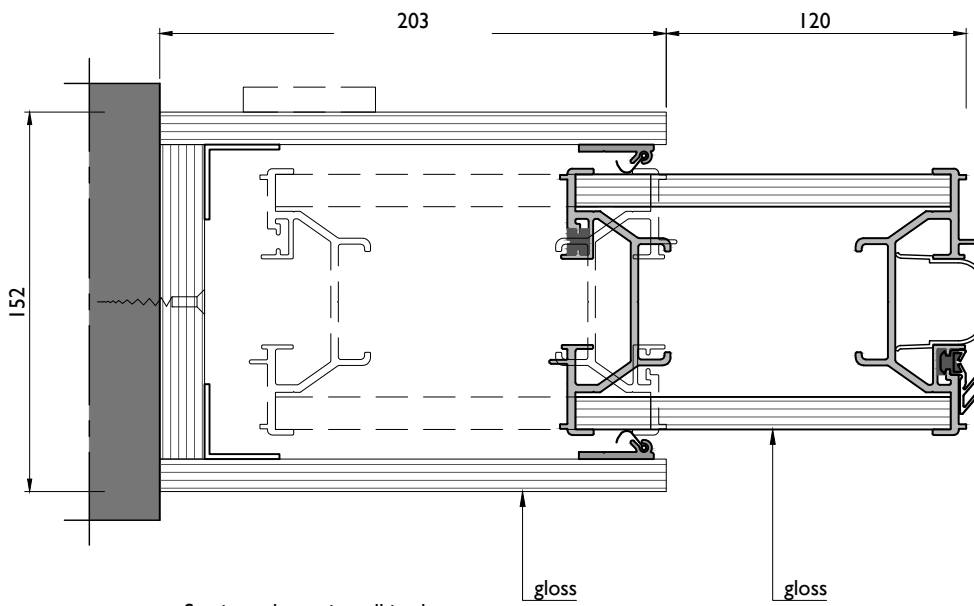
www.espero.eu
 info@espero.eu
 +31(0)416 338955

Type: Visio 100 Elite

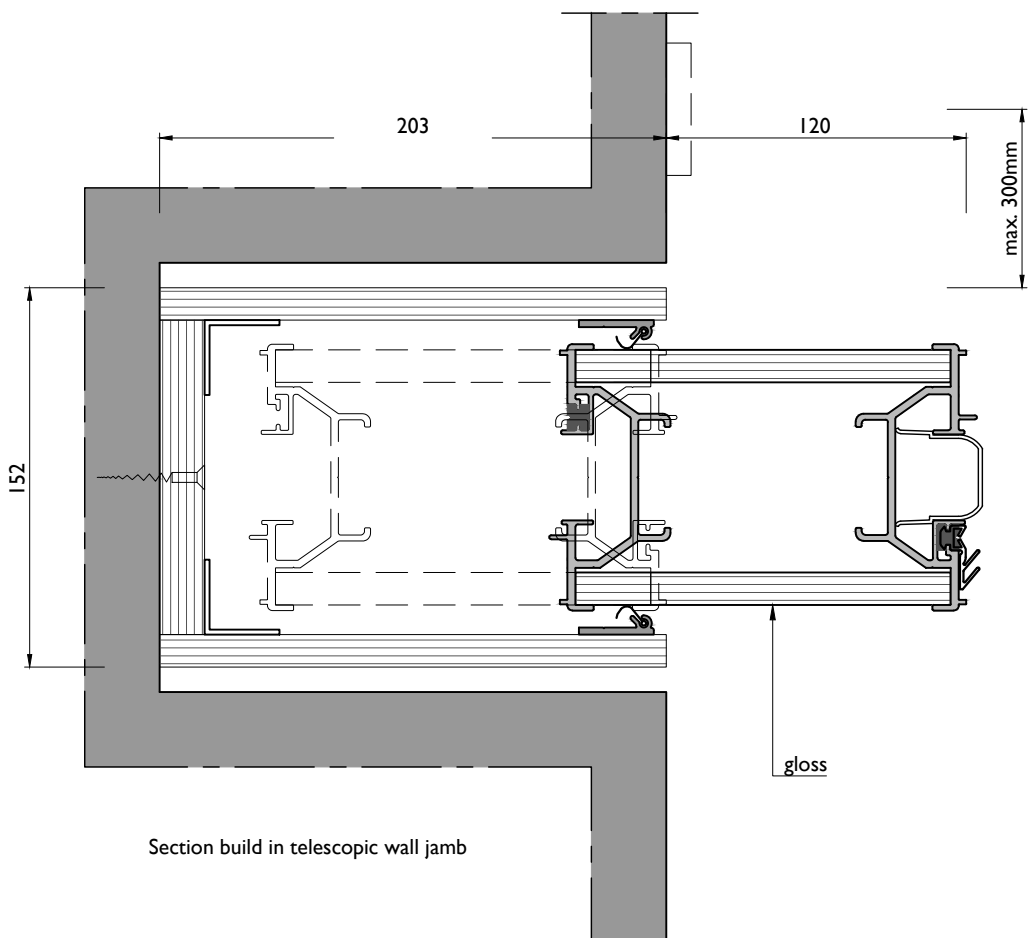
Date: 01-2020

Drawing no: V100E-04





Section telescopic wall jamb



Section build in telescopic wall jamb

- Manual operation; Key switch + operation button in semi-automatic telescopic wall jamb.
- Semi-automatic operation; only operation button in semi-automatic telescopic wall jamb. (Key switch to be placed in wall jamb)
- Operation semi-automatic wall jamb can be either single or double sided (optional)
- In case of build in semi-automatic telescopic wall jamb; operation to be placed in wall next to pocket. Slot to be a minimum of 30x30 mm. Positioned 300 mm. away from semi-automatic telescopic wall jamb (max)

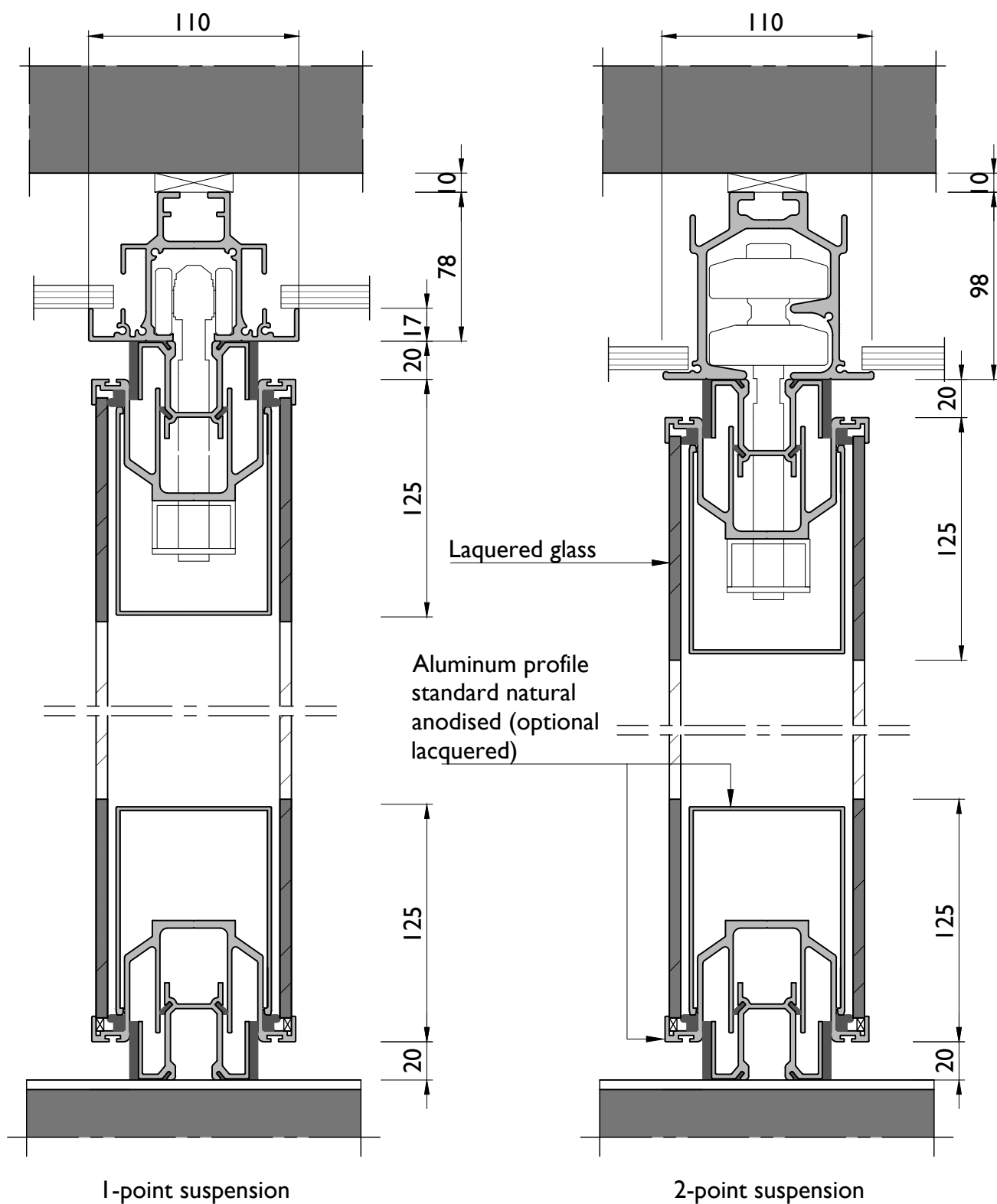
ESPERO

www.espero.eu
 info@espero.eu
 +31(0)416 338955

Type: Visio 100 Elite

Date: 01-2020

Drawing no: V100E-06



Please note: track fixation is an example. Please see suspension details for possibilities.

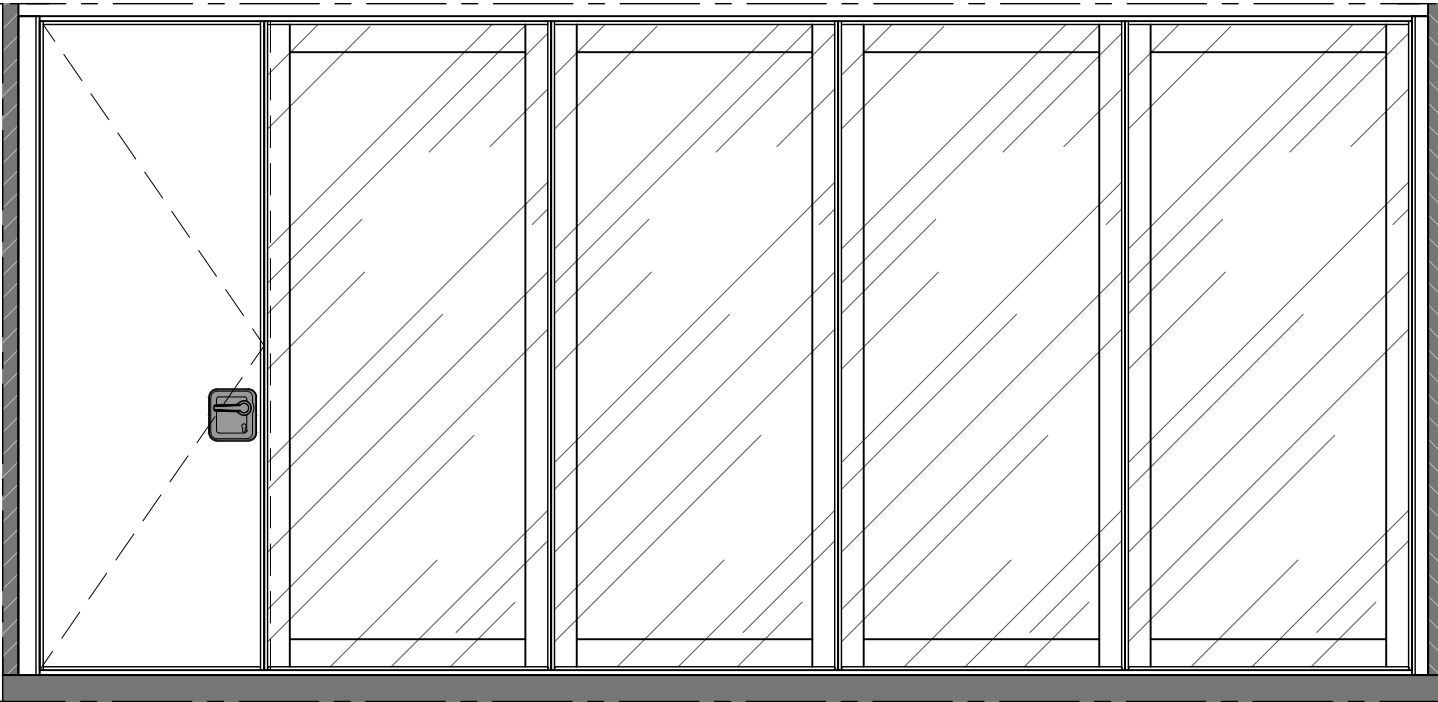
ESPERO

www.espero.eu
 info@espero.eu
 +31(0)416 338955

Type: Visio 100 Elite

Date: 01-2020

Drawing no: V100E-07



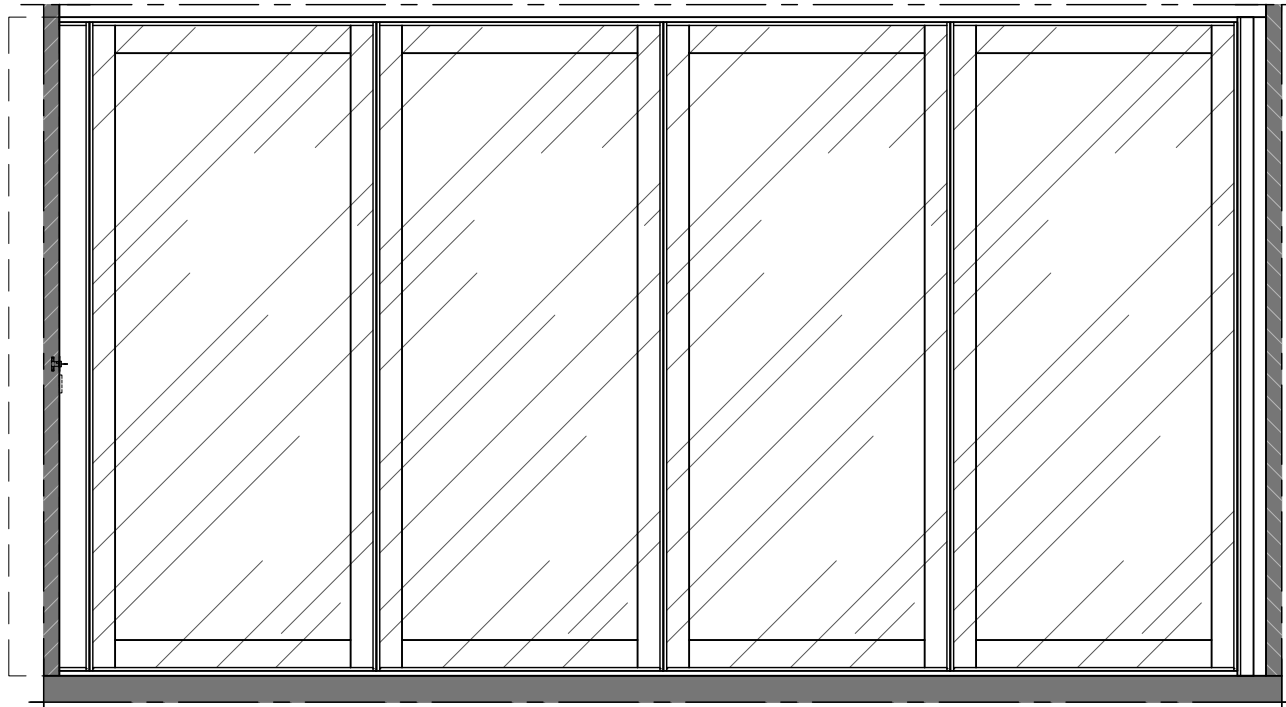
Communication panel

Basic panel

Basic panel

Basic panel

Basic panel



Telescopic wall jamb

Basic panel

Basic panel

Basic panel

Basic panel

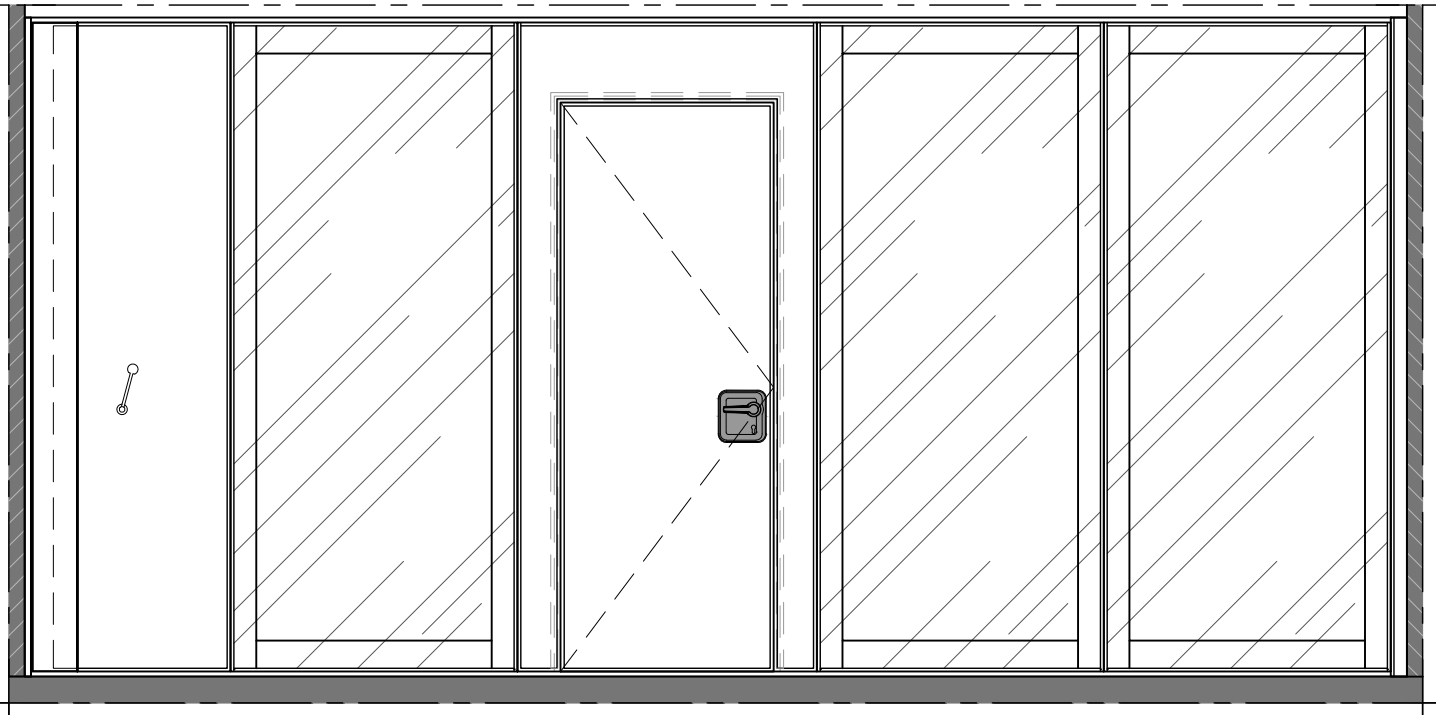
ESPERO

www.espero.eu
 info@espero.eu
 +31(0)416 338955

Type: Visio 100

Date: 01-2020

Drawing no: V100-08



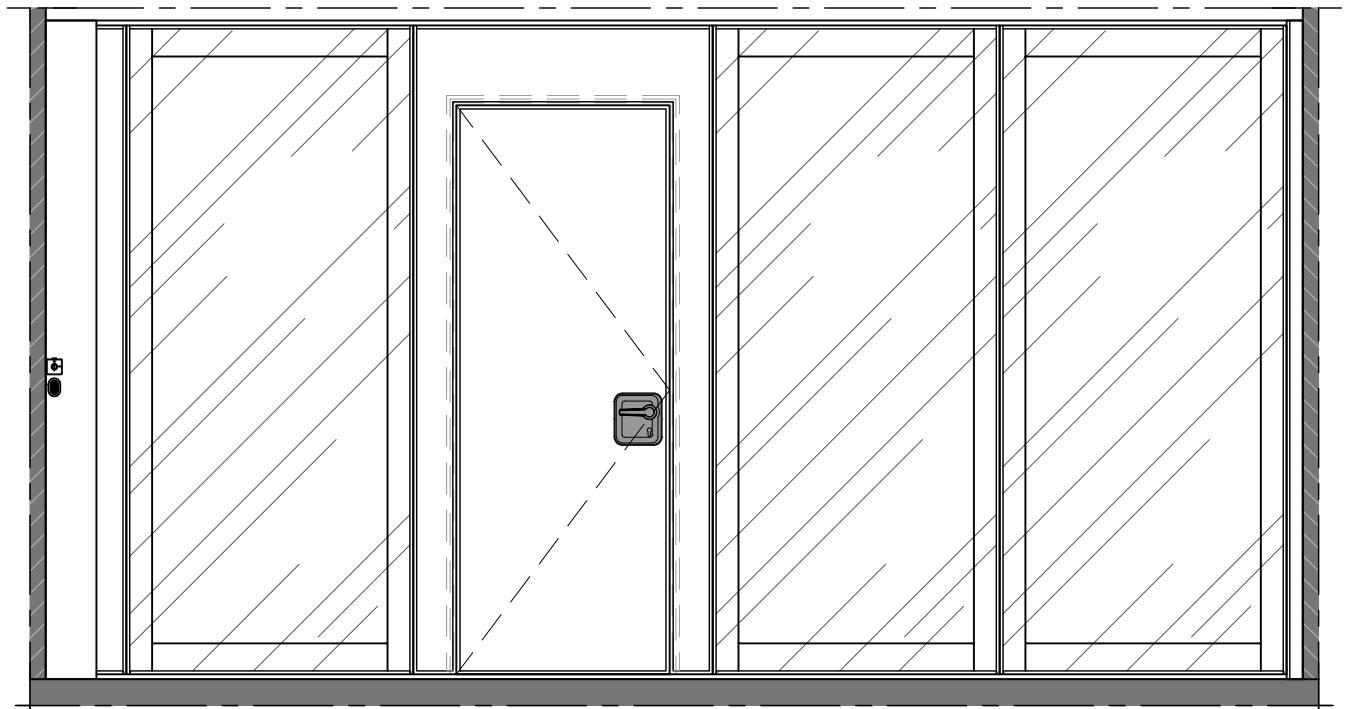
Telescopic panel

Basic panel

Door panel

Basic panel

Basic panel



Telescopic wall jamb

Basic panel

Door panel

Basic panel

Basic panel

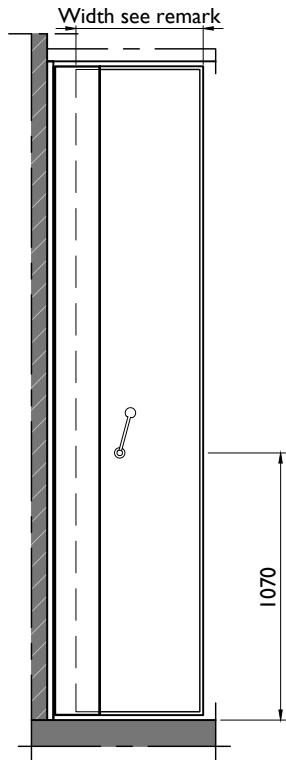
ESPERO

www.espero.eu
 info@espero.eu
 +31(0)416 338955

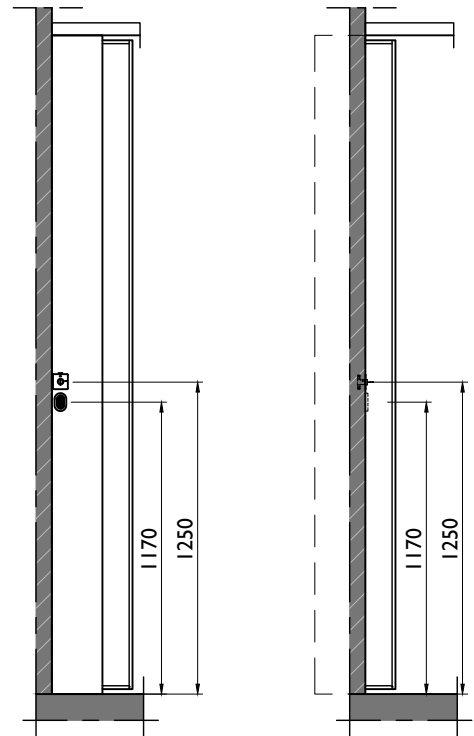
Type: Visio 100

Date: 01-2020

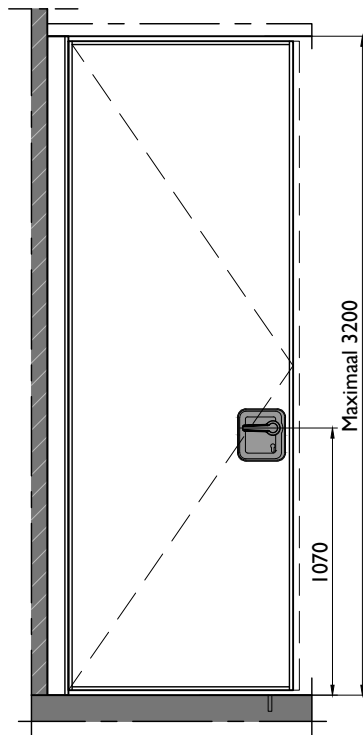
Drawing no: V100-09



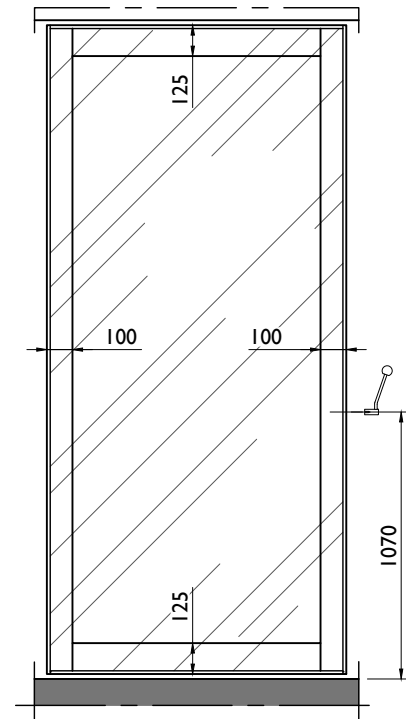
Telescopic panel



Telescopic wall jamb



Communication panel



Basic panel

Width 1-point Telescopic panel: minimum 510 / maximum 1200

Width 2-point Telescopic panel: minimum 710 / maximum 1200

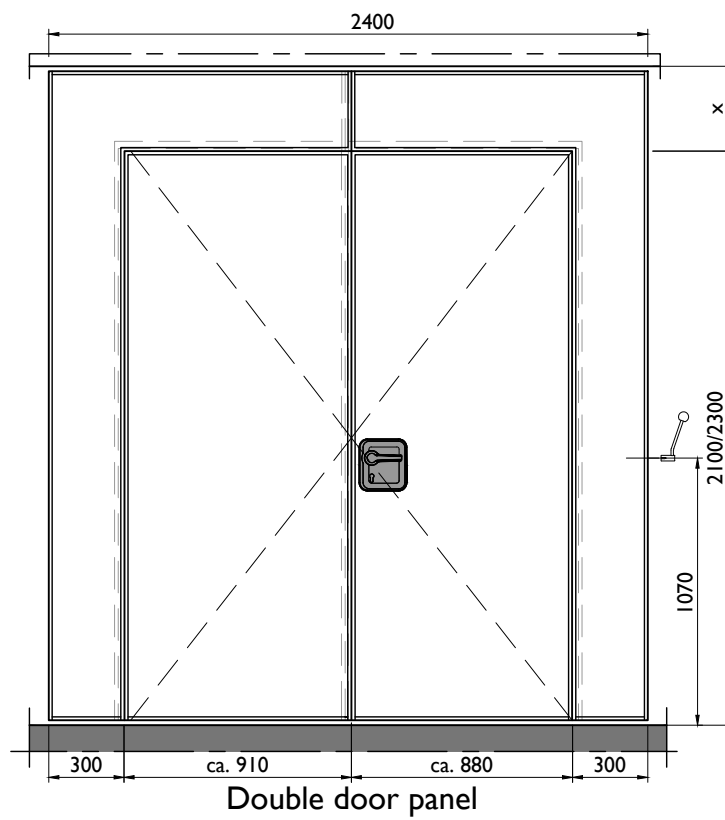
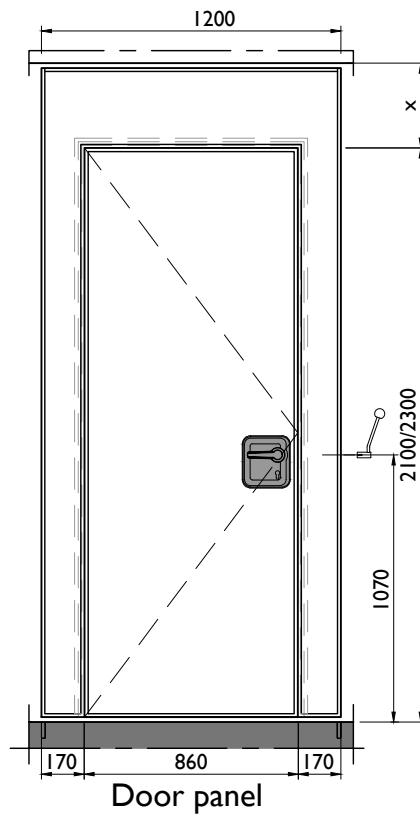
ESPERO

www.espero.eu
 info@espero.eu
 +31(0)416 338955

Type: Visio 100

Date: 01-2020

Drawing no: V100-10



Manuel, x = min 340 / Semi-automatic, x = min 410

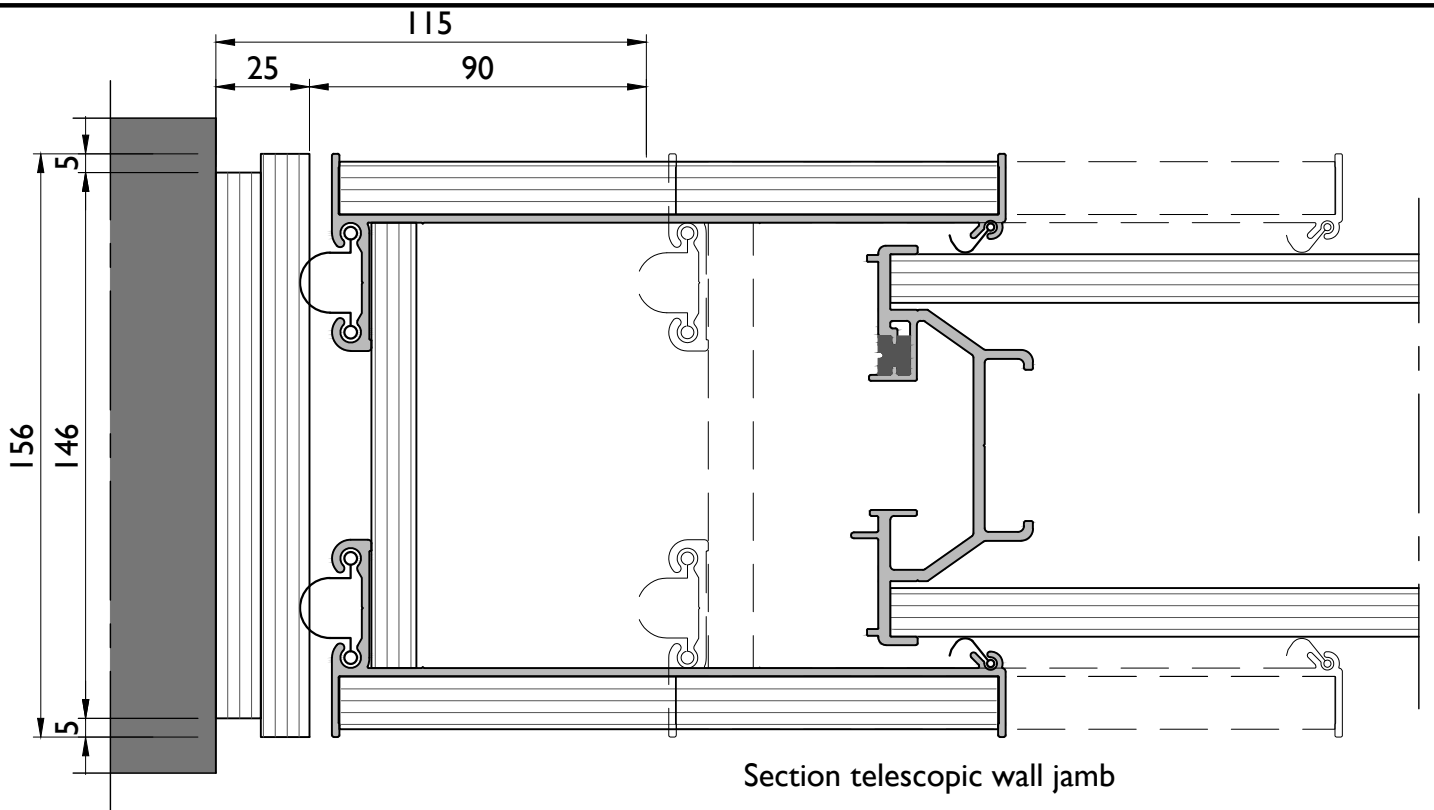
ESPERO

www.espero.eu
 info@espero.eu
 +31(0)416 338955

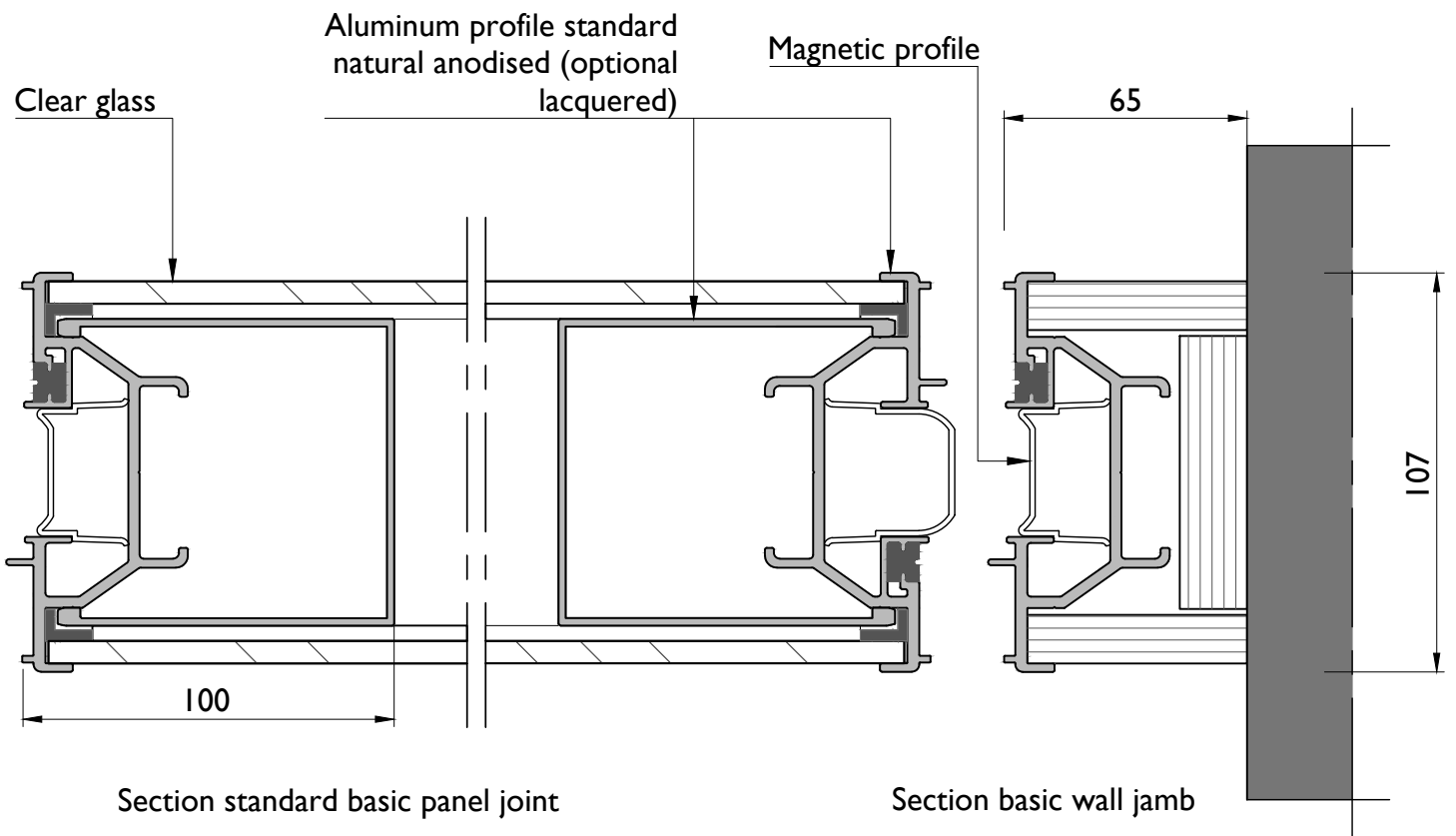
Type: Visio 100

Date: 01-2020

Drawing no: V100-11



Section telescopic wall jamb



Section standard basic panel joint

Section basic wall jamb

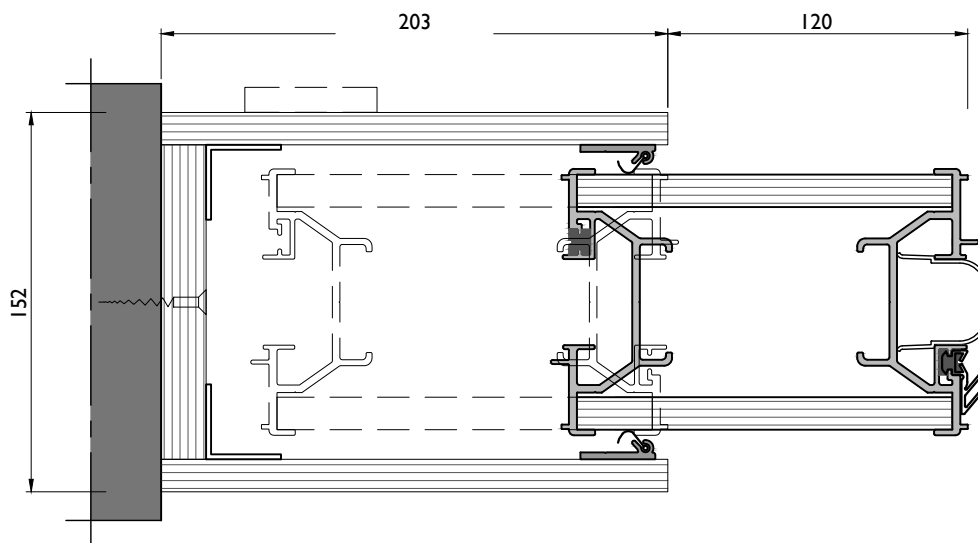
ESPERO

www.espero.eu
 info@espero.eu
 +31(0)416 338955

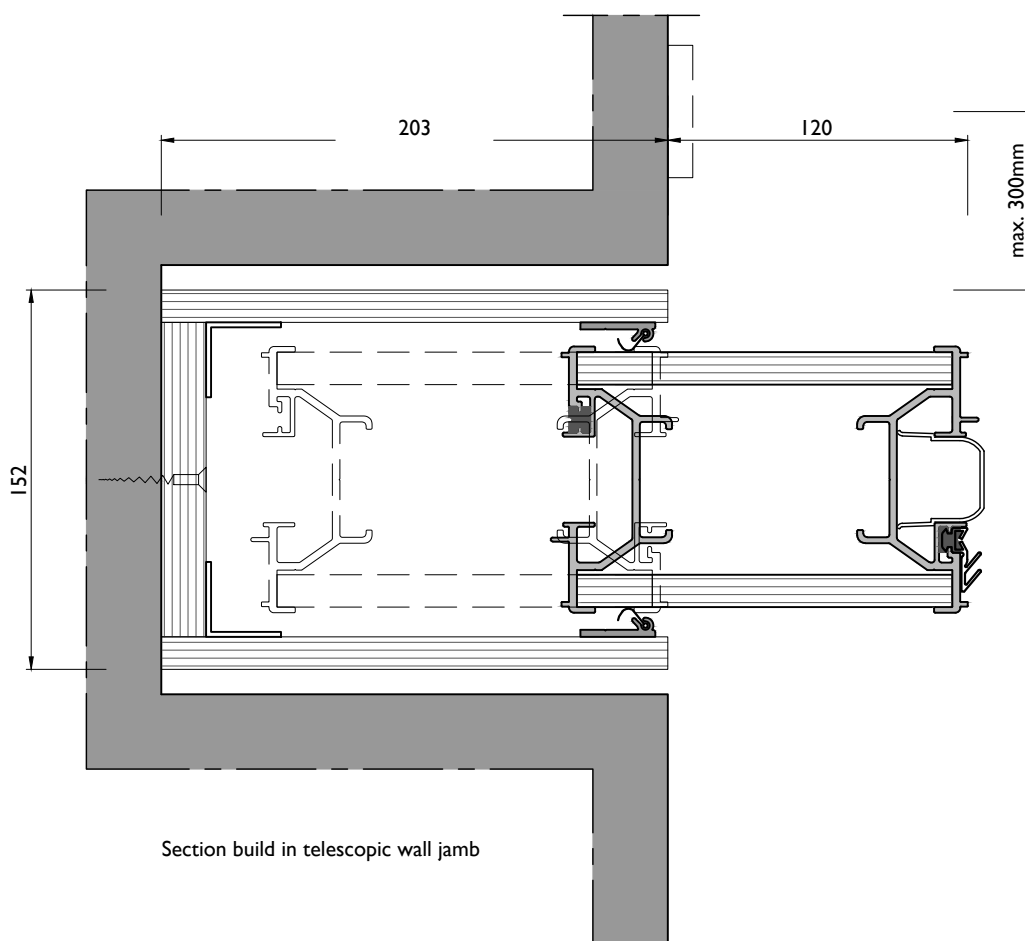
Type: Visio 100

Date: 01-2020

Drawing no: V100-12



Section telescopic wall jamb



Section build in telescopic wall jamb

- Manual operation; Key switch + operation button in semi-automatic telescopic wall jamb.
- Semi-automatic operation; only operation button in semi-automatic telescopic wall jamb. (Key switch to be placed in wall jamb)
- Operation semi-automatic wall jamb can be either single or double sided (optional)
- In case of build in semi-automatic telescopic wall jamb; operation to be placed in wall next to pocket. Slot to be a minimum of 30x30 mm. Positioned 300 mm. away from semi-automatic telescopic wall jamb (max)

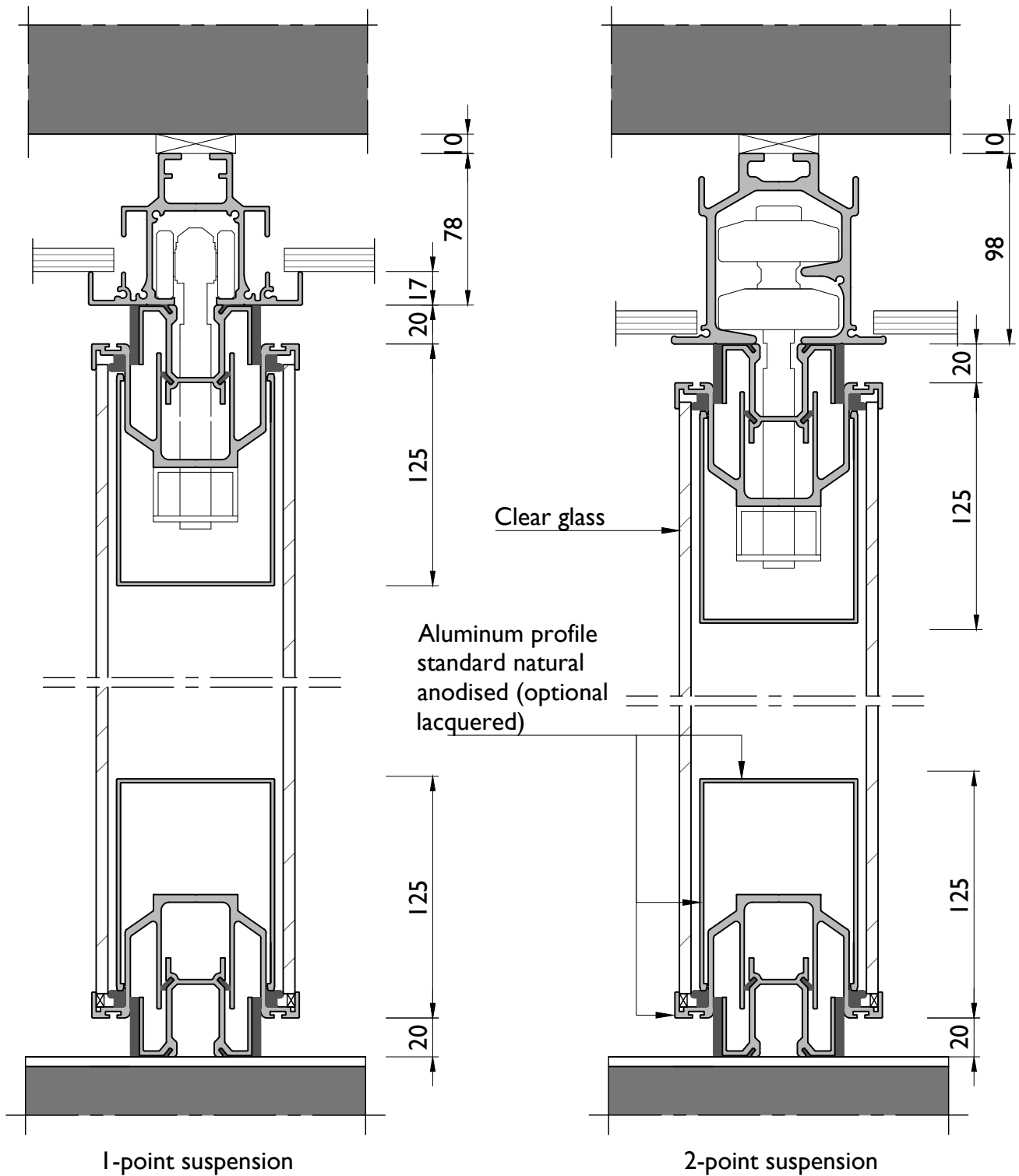
ESPERO

www.espero.eu
 info@espero.eu
 +31(0)416 338955

Type: Visio 100

Date: 01-2020

Drawing no: V100-13



Please note: track fixation is an example. Please see suspension details for possibilities.

ESPERO

www.espero.eu
 info@espero.eu
 +31(0)416 338955

Type: Visio 100

Date: 01-2020

Drawing no: V100-14