

# Impact-D 100



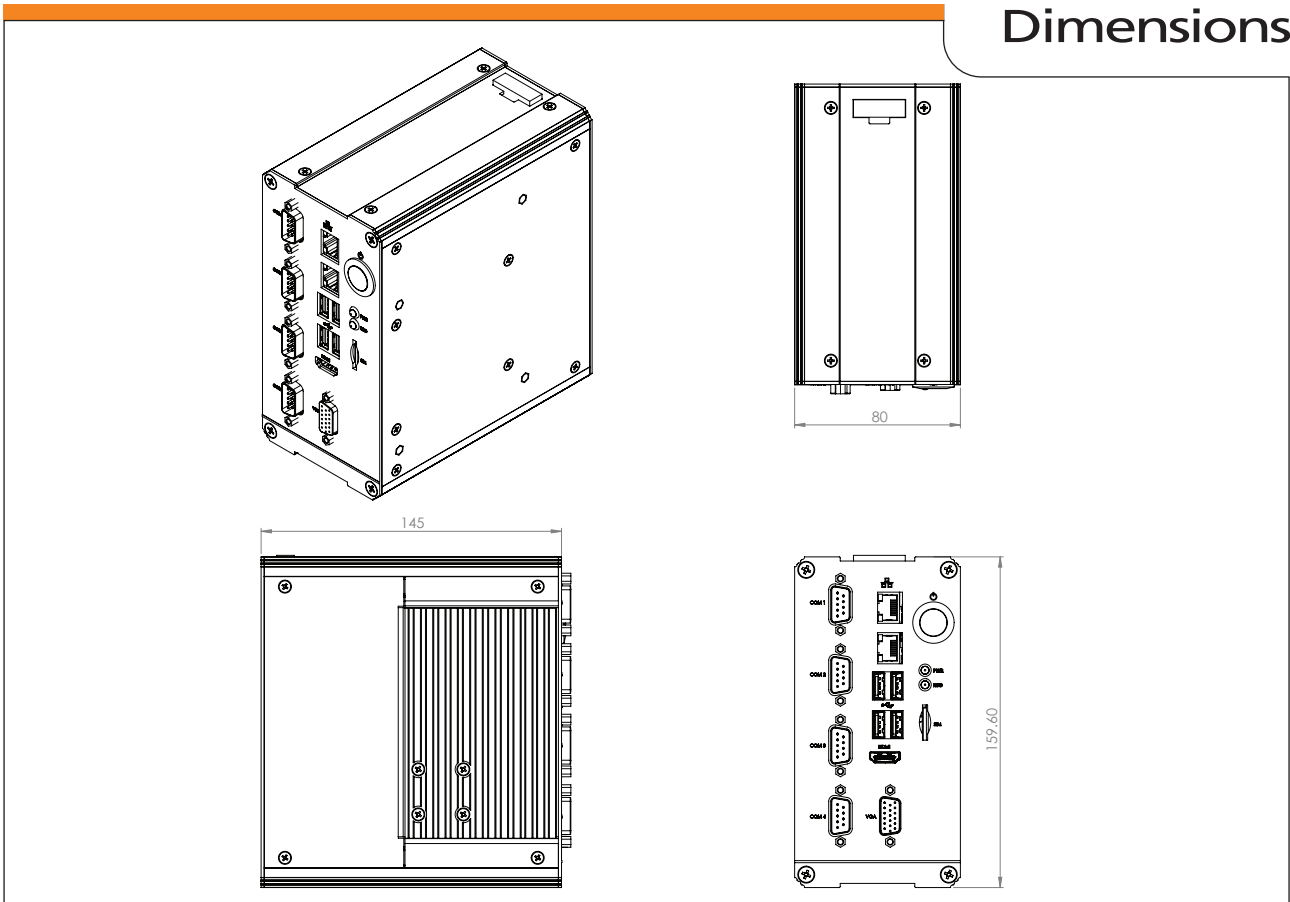
## Features

The Impact-D 100 is a compact, DIN Rail mountable, low power embedded system, utilising Intel® 4th Generation ATOM™ processor technology.

Key features:-

- Low power consumption
- High end ATOM™ processing power
- Compact fanless design
- OEM branding available

## Dimensions



Sales: +44 (0) 1273 570 220 Admin: +44 (0) 1273 608 331 Fax: +44 (0) 1273 570 215 Website: [www.amplicon.com](http://www.amplicon.com) Email: [sales@amplicon.com](mailto:sales@amplicon.com)

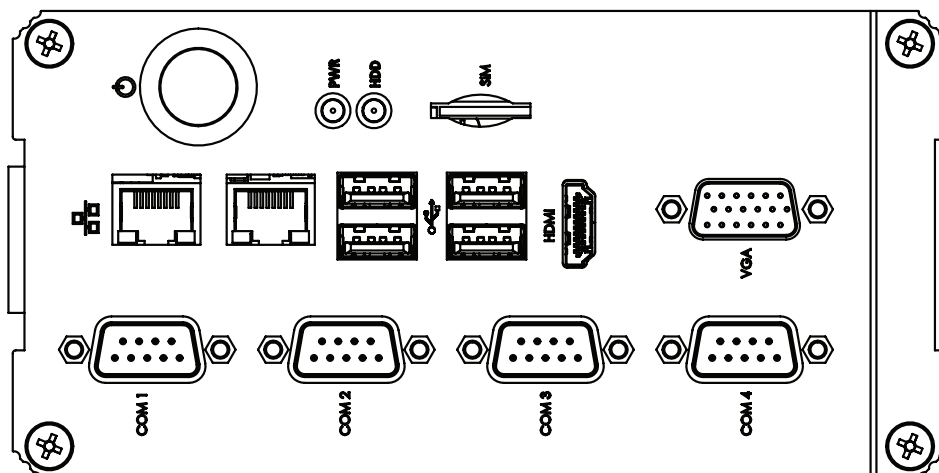
## Impact-D 100

## Specifications

The information is believed to be accurate. However Amplicon Liveline Limited accepts no responsibility for any problems caused by errors and omissions. Specifications are subject to change without notice.

|                        |   |                                     |  |
|------------------------|---|-------------------------------------|--|
| Hardware Specification | CPU: Intel® ATOM™ E3845<br>Main memory: 2GB SODIMM DDR3L 1066/1333MHz (max 8GB)<br>LAN: Dual Intel® 10/100/1000 network connection (supports PXE and WoL)               | Mechanical                          | Design: Rugged compact embedded design<br>Cooling: Fanless design<br>Construction: Extruded Aluminium<br>Color: Black/Silver<br>Dimensions: 80(W) x 160(H) x 140(D)mm  |
| BIOS                   | AMI system BIOS   | Environmental Operation             | Acoustic noise: Near silent operation<br>Operating Temperature: 0°C to 55°C<br>Humidity: 0 to 90% non-condensing   |
| Storage                | Total drive capacity: 1 x 2.5" SATA SSD/HDD   | Environmental Storage               | Temperature: -20°C to 70°C<br>Humidity: 5% to 90% @ 20°C   |
| System Expansion       | 1 x mPCIe full length with SIM<br>1 x mPCIe half length   | Electromagnetic Compatibility (EMC) | EN55022 Class A<br>EN55024<br>Electrostatic discharge immunity test (EN61000-4-2)<br>Enclosure port<br>±4kV Contact, applied to enclosure port<br>±8kV Air, applied to enclosure port<br><br>Radiated, radio-frequency, electromagnetic field immunity test (EN61000-4-3)<br><br>Enclosure port<br>80-1000MHz, 10 V/m (RMS, no modulation) 80% Modulation with 1kHz Sine wave<br><br>Electrical fast transient/burst immunity test (EN61000-4-4)<br>Power port AC, inc. protective earth<br>Severity ±0.5kV<br><br>Surge Immunity test (EN61000-4-5)<br>Power port AC<br>Severity ±2kV applied line to line<br>Severity ±2kV applied line to earth<br><br>Immunity to conducted disturbances induced by radio frequency fields (EN61000-4-6)<br><br>Power port AC, inc. protective earth via CDN M3<br>0.15-80MHz, 10 V/m (no modulation) 80% Modulation with 1kHz Sine wave, applied via CDN<br><br>Amplicon own a fully equipped EMC facility and can provide many additional tests to meet your requirements. |
| Supported O/S          | Microsoft Desktop: Windows 7 and 8/8.1 (x86/x64)<br>*Windows 7 does not support Intel® Sideband Fabric (Win 8/8.1 only)<br>*Other operating systems are available       |                                     |  |
| General Interfaces     | 1 x VGA (1920 x 1200@75Hz)<br>1 x HDMI (1920 x 1200)<br>4 x USB 3.0<br>4 x COM DB9 (1 x RS232/422/485, 3 x RS232)<br>2 x Intel® GbE RJ45 (i210 chipset)<br>1 x SIM slot |                                     |  |
| LED's and Switches     | Power (PC on) LED<br>Hard Disk access LED<br>ATX system control switch  |                                     |  |
| Power                  | DC input: +9~36VDC  |                                     |  |

## Rear I/O plate



Sales: +44 (0) 1273 570 220 Admin: +44 (0) 1273 608 331 Fax: +44 (0) 1273 570 215 Website: [www.amplicon.com](http://www.amplicon.com) Email: [sales@amplicon.com](mailto:sales@amplicon.com)