

Barriere per bordo laterale su rilevato

Single sided guardrails



steel safety on roadways

Require Marcegaglia Buildtech full range of steel road safety barriers: from the **steel partner**, steel safety on roadways.

Marcegaglia Buildtech safety barriers solutions are part of Marcegaglia steel production chain and are engineered, assembled then **tested** in order to comply with specific **norm requirements**.

Certificazioni

Certifications - Zertifizierungen - Certifications - Certificaciones

- **RINA ISO 9001:2008** certificato N. 12370/05/S
- **IQNet - CISQ/RINA** Quality Management System **ISO 9001:2008** Registration N. IT-42009
- **Certificati CE** di costanza della prestazione

Crash tests

Crash tests - Crash-Tests - Essais de chocs - Crash tests



Classe N2 Bordo Laterale - Barriera 2 onde singola su rilevato W7

Class N2 Roadside - 2-waves single sided guardrail W7

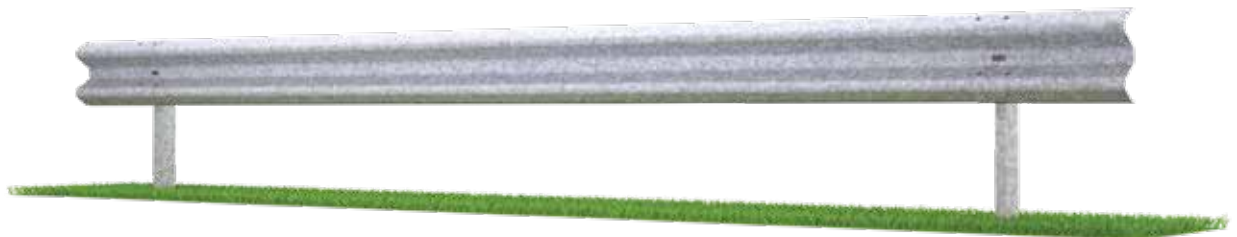
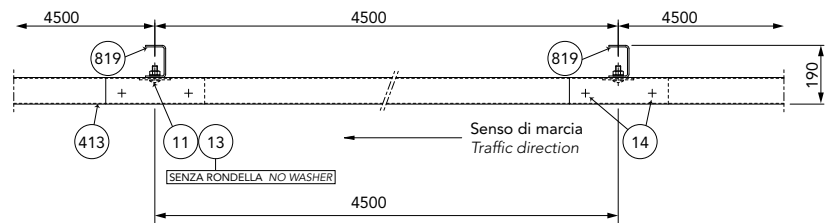
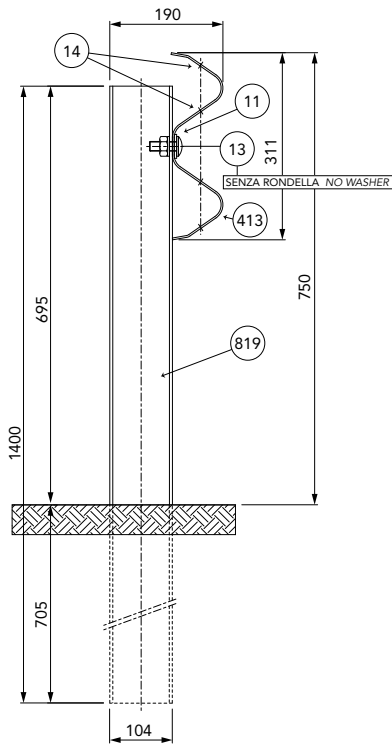
Aufhaltestufe N2 für rammfähige Böden - 2-welliges Rückhaltesystem W7

Classe N2 Bord latéral - Glissière 2 crosses simple sur remblai W7

Clase N2 Borde lateral - Barrera de doble onda simple sobre base terreno W7

N2-W7

2-waves



Caratteristiche Characteristics, Eigenschaften, Caractéristiques, Características

Altezza fuori terra Height above ground level, Höhe über Grundboden, Hauteur hors sol, Altura sobre el suelo	750 ± 30 mm
Profondità d'infissione Depth of penetration, Rammtiefe, Profondeur de piling du poteau, Longitud hincada	705 mm
Ingombro trasversale Overall width, Gesamtbreite, Grosseur hors tout, Anchura total	190 mm
Interasse pali Post spacing, Steherabstand, Distance entre poteaux, Distancia entre postes	4500 mm

Rapporti di prova Crash test reports, Testberichte, Comptes rendus d'essais, Relaciones de pruebas

Test n.	Facility	Test	Type	Barrier length m	Mass kg	Speed km/h	ASI max 1.4	THIV max 33 km/h	D m	W m
PROVA 580	Aisico	TB32	Laterale 20°	85,50	1.500	110	-	-	2,4	2,5=W7
PROVA 588	Aisico	TB11	Laterale 20°	85,50	900	100	0,7=A	20	1,1	1,2=W4

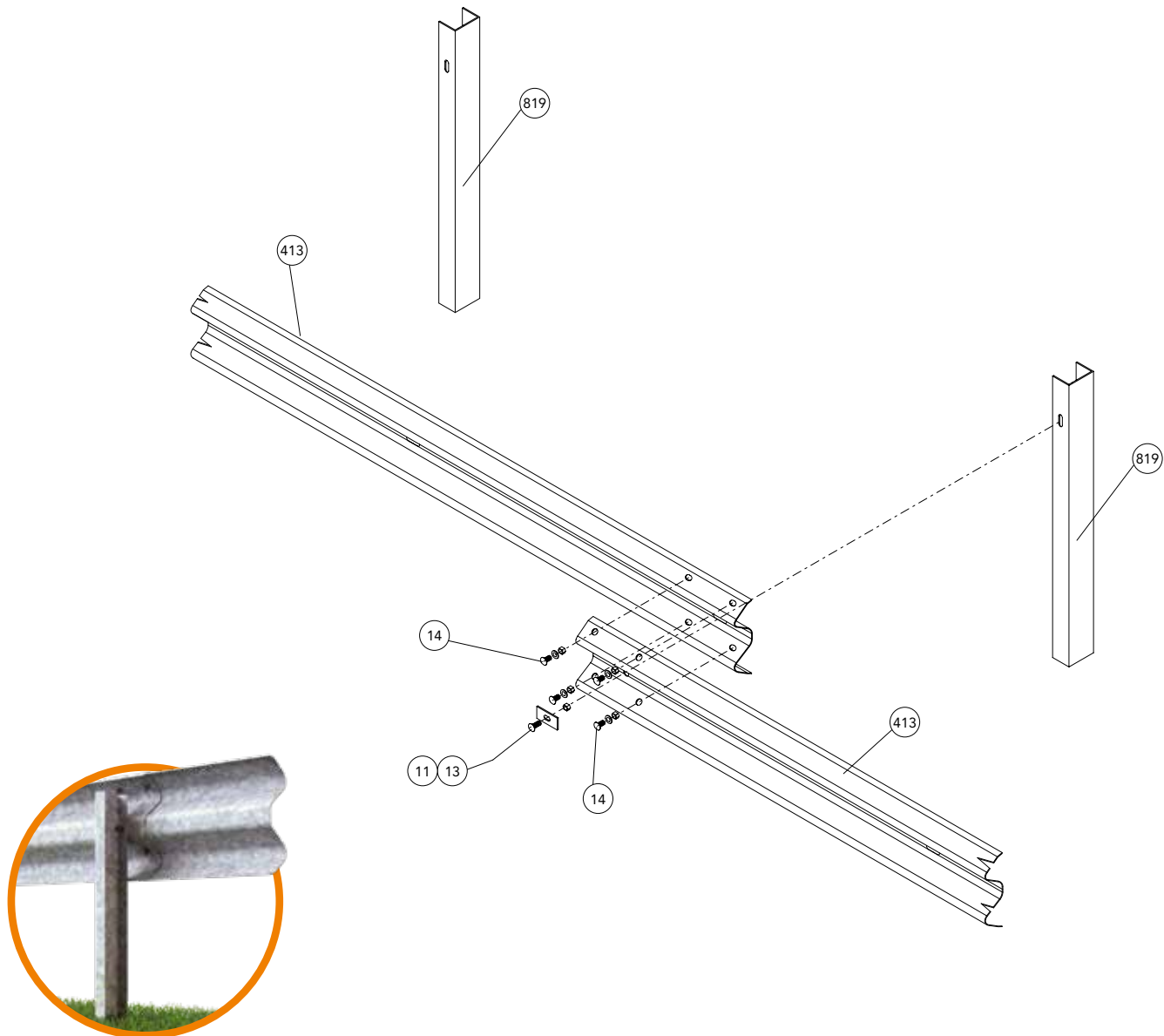
Sales office:

MARCEGAGLIA BUILDTECH guardrail division
 strada Roveri, 4
 15068 Pozzolo Formigaro, Alessandria - Italy
 phone +39 . 0143 77 61 • fax +39 . 0143 77 63 53

guardrail@marcegaglia.com
www.marcegagliabuildtech.it

Plants:

MARCEGAGLIA BUILDTECH Pozzolo Formigaro
 strada Roveri, 4
 15068 Pozzolo Formigaro, Alessandria - Italy
 phone +39 . 0143 77 61 • fax +39 . 0143 77 63 53

**Componenti Components, Bauteile, Composants, Elementos**

	Descrizione Description		Materiale Material
819	Palo "U" U-post, U-Steher, Poteau en U, Poste "U"	104x65 Th=4 H=1400 mm	S 275 JR
19	Fascia 2 onde 2-waves beam, 2-wellige Leitschiene, Glissière 2 crosses, Banda doble onda	L=4500 Th=2,5 mm	S 235 JR
14	Bullone completo Bolt with nut and washer, Schraube komplett,	M16x30 mm	Classe 8.8
13	<i>Boulon complet, Tornillo completo con tuerca y arandela</i>	M16x50 mm	Classe 8.8
11	Piastrina copriasola Slot covering plate, Lochabdeckplatte, Plaque de couverture fente, Placa cubre-ranura	100x40x4 mm	S 275 JR