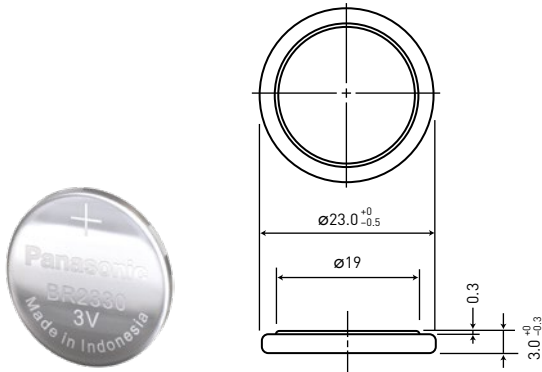


# POLY-CARBONMONOFLUORIDE LITHIUM BATTERIES (BR SERIES)

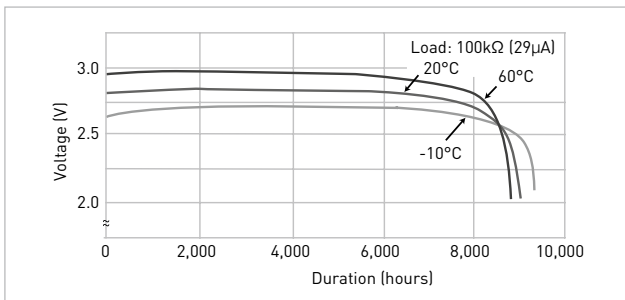
## BR-2330

### DIMENSIONS (MM)

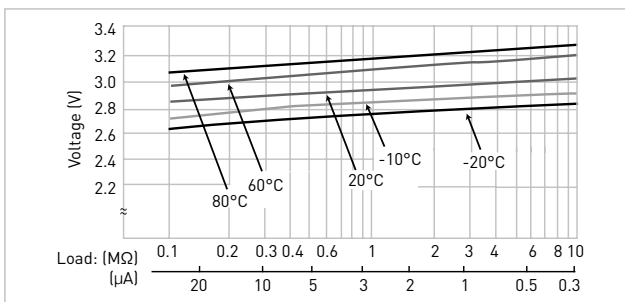


Specifications	BR-2330
Nominal voltage (V)	3
Nominal capacity (mAh)	255
Diameter (mm)	23.0
Total height (mm)	3.0
Discharging temperature range (°C)	-30 to +80
Weight (g)	3.2

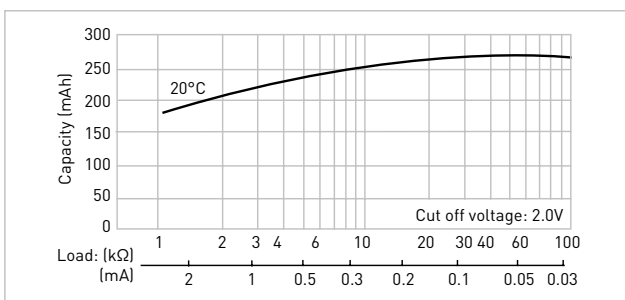
### DISCHARGE TEMPERATURE CHARACTERISTICS



### OPERATING VOLTAGE VS. DISCHARGE CURRENT\*1



### CAPACITY VS. LOAD RESISTANCE



The data in this document are for descriptive purposes only and are not intended to make or imply any guarantee or warranty.  
 \*1 at 50% depth-of-discharge (DoD)