



> B-EV4 DESKTOP PRINTER

Fast & Reliable Labelling
For Your Business

For all on-demand labelling direct from your desktop, look no further than the trustworthy B-EV4 range from Toshiba. With market-leading features, exceptional build quality and reliability, you can quickly and easily produce high quality labels for every application at the touch of a button.

> TAKE CONTROL

Design and print straight from a PC using Windows drivers and free Bartender Ultralite software. Using the latest 32-bit Toshiba processing technology, printing starts almost instantly at speeds of up to 5 inches a second, allowing for rapid on-demand printing as required. The B-EV4 range will print tickets and labels from an inch in height (25.4mm) up to a market-leading 999mm.

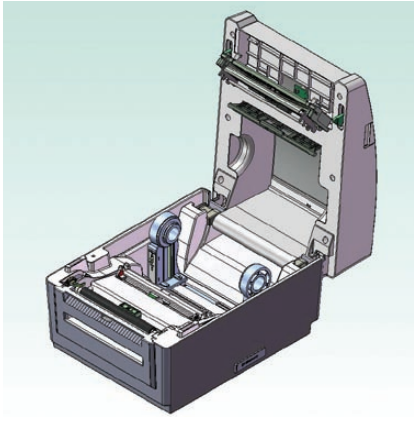
> FLEXIBLE MODELS

Choose the B-EV4D (direct thermal) model for all short term ticketing and labelling applications using thermal papers. For the maximum choice, the B-EV4T (thermal transfer) uses ribbons to produce more long-term hard wearing labels. Both types have a choice of print resolution, either 200dpi for most everyday uses or high quality 300dpi for specialist barcodes and graphics.



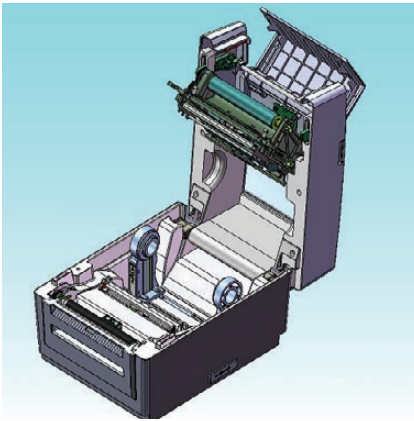
TOSHIBA
Leading Innovation >>>





> CHOOSE THE BEST

Engineered to perfection, this 108mm (4.25") thermal printer has a robust double-walled tough plastic cover to protect the inner mechanisms against dust and external damage, giving you perfect results every time. With easy access to the printhead, paper path and sensors, paper or label rolls are loaded with ease and the media holder centres the paper.



> TOOL-LESS MAINTENANCE

We've redesigned our printhead and platen mechanisms to allow changes to be made without the need for tools. This means far less downtime for critical applications and a lower total cost of ownership.

> UNIVERSAL COMPATIBILITY

Alongside the latest high speed 12Mbps USB and 10/100Mbps LAN interfaces, serial and parallel connections allow the B-EV4 range of printers to simply slot into existing legacy system, also without software or driver changes. Whether it's replacing a Toshiba printer using TPCL or any make using BCI (Basic Command Interpreter), upgrading your printing technology has never been so easy.



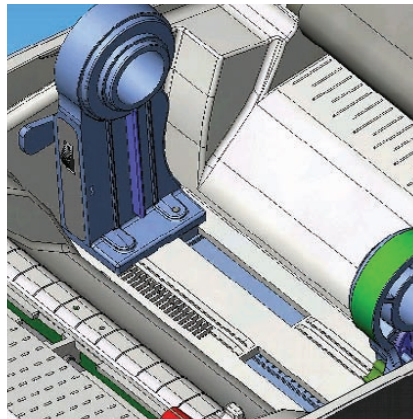
> OPTIONS/UPGRADES

- Peel-off module
- Full or partial cutter
- SD card to expand onboard memory
- External media holder
- Standalone keyboard
- Linerless kit & cutter (DT model)

> TRUST TOSHIBA

Exciting and refreshing product advances, superior build quality and reliability, all backed up by an extensive support network, Toshiba thermal printers are the choice across the world for professional labelling.

**The Toshiba B-EV4 -
On-demand desktop labelling at its best.**



> USER BENEFITS

- Compact professional label printing
- Design and print straight from a PC
- 200 or 300dpi print resolution models
- Slots straight into existing systems
- Quick and simple tool-less maintenance
- Legendary build quality in a tough plastic case

TOSHIBA

TOSHIBA TEC CORPORATION

Auto-ID & Printer Business Group

Oval Court Ohsaki Mark East

2-17-2, Higashi Gotanda, Shinagawa-ku,
Tokyo 141-8664 Japan

www.toshibatec.com