

# Barriere per bordo laterale su rilevato

Single sided guardrails



# steel safety on roadways

Require Marcegaglia Buildtech full range of steel road safety barriers: from the **steel partner**, steel safety on roadways.

Marcegaglia Buildtech safety barriers solutions are part of Marcegaglia steel production chain and are engineered, assembled then **tested** in order to comply with specific **norm requirements**.

## Certificazioni

*Certifications - Zertifizierungen - Certifications - Certificaciones*

- **RINA ISO 9001:2008** certificato N. 12370/05/S
- **IQNet - CISQ/RINA** Quality Management System **ISO 9001:2008** Registration N. IT-42009
- **Certificati CE** di costanza della prestazione

## Crash tests

*Crash tests - Crash-Tests - Essais de chocs - Crash tests*



## Classe H2 Bordo Laterale - Barriera 2 onde singola su rilevato W6

Class H2 Roadside - 2-waves single sided guardrail W6

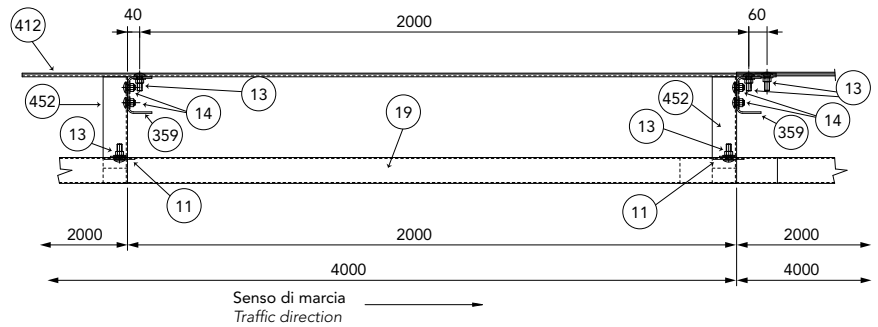
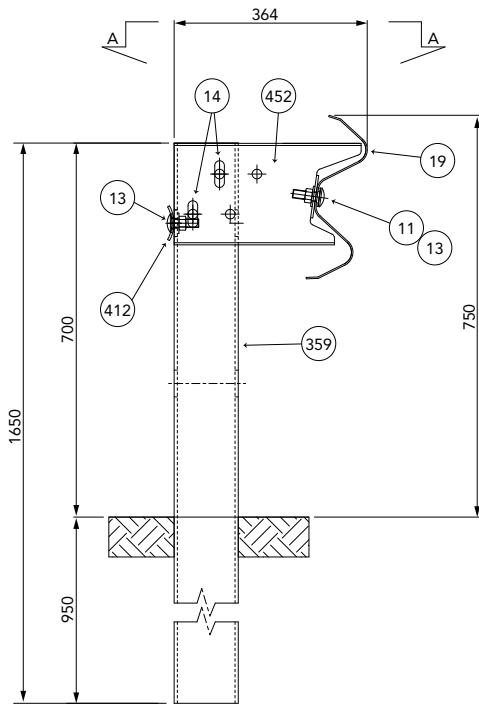
Aufhaltestufe H2 für rammfähige Böden - 2-welliges Rückhaltesystem W6

Classe H2 Bord latéral - Glissière 2 crosses simple sur remblai W6

Clase H2 Borde lateral - Barrera de doble onda simple sobre base terreno W6

# H2-W6

## 2-waves



### Caratteristiche Characteristics, Eigenschaften, Caractéristiques, Características

<b>Altezza fuori terra</b> Height above ground level, Höhe über Grundboden, Hauteur hors sol, Altura sobre el suelo	750 mm
<b>Profondità d'infissione</b> Depth of penetration, Rammtiefe, Profondeur de piling du poteau, Longitud hincada	950 mm
<b>Ingombro trasversale</b> Overall width, Gesamtbreite, Grosseur hors tout, Anchura total	364 mm
<b>Interasse pali</b> Post spacing, Steherabstand, Distance entre poteaux, Distancia entre postes	2000 mm

### Rapporti di prova Crash test reports, Testberichte, Comptes rendus d'essais, Relaciones de pruebas

Test n.	Facility	Test	Type	Barrier length m	Mass kg	Speed km/h	ASI max 1.4	THIV max 33 km/h	D m	Vi m	W m
X63.05.E05	TÜV	TB51	Laterale 20°	100	13.000	70	-	-	1,8	2,9	1,8=W6
X63.01.E02	TÜV	TB11	Laterale 20°	100	900	100	0,94=A	26,28	0,6	-	0,9=W3

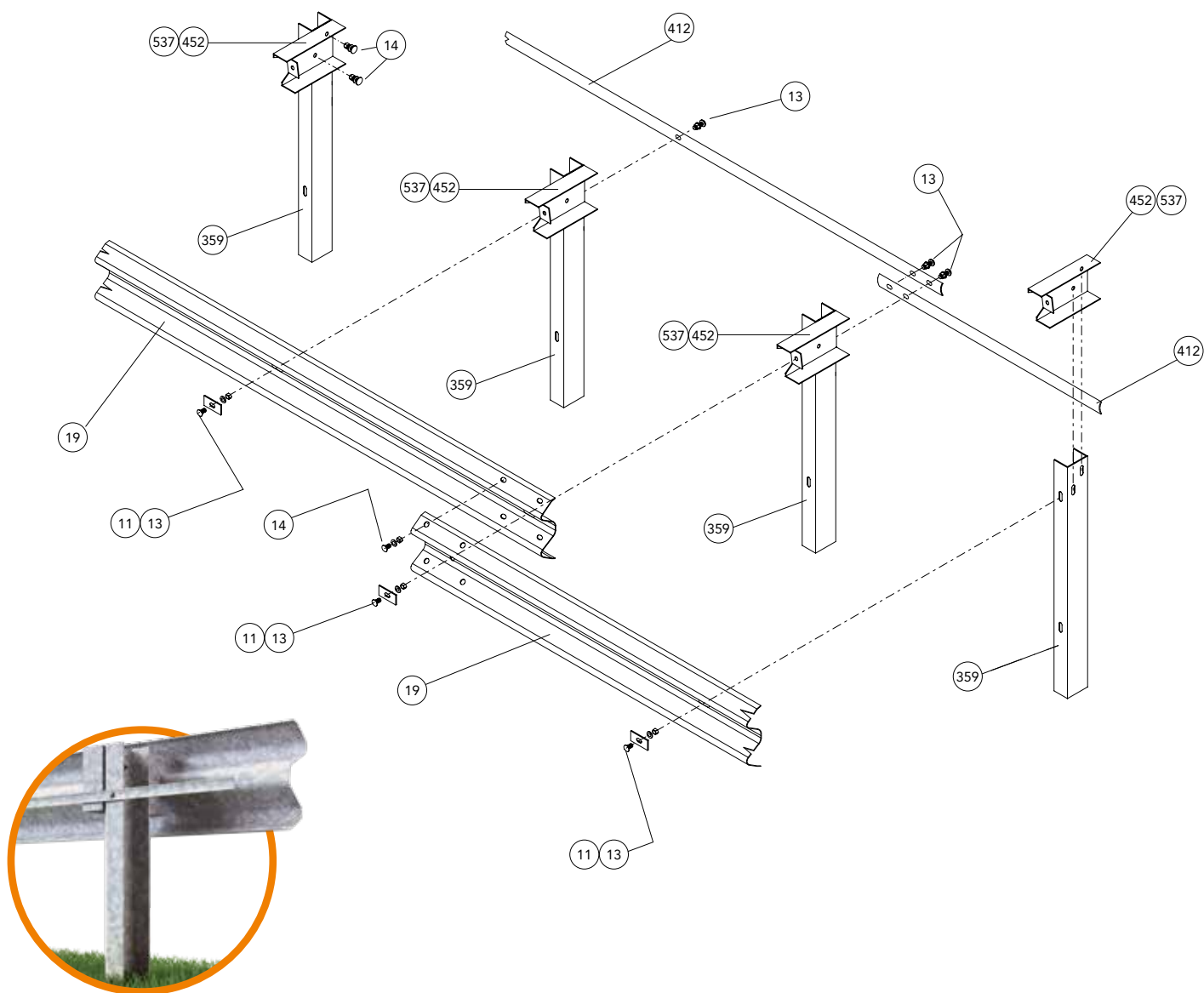
Sales office:

**MARCEGAGLIA BUILDTECH guardrail division**  
 strada Roveri, 4  
 15068 Pozzolo Formigaro, Alessandria - Italy  
 phone +39 . 0143 77 61 • fax +39 . 0143 77 63 53

guardrail@marcegaglia.com  
 www.marcegagliabuildtech.it

Plants:

**MARCEGAGLIA BUILDTECH Pozzolo Formigaro**  
 strada Roveri, 4  
 15068 Pozzolo Formigaro, Alessandria - Italy  
 phone +39 . 0143 77 61 • fax +39 . 0143 77 63 53



Componenti Components, Bauteile, Composants, Elementos			
	Descrizione Description		Materiale Material
452 537	<b>Distanziatore europeo</b> <i>European spacer, Europ. Abstandhalter, Entretoise UE, Separador europeo</i>	Th=4 mm (left/right)	S 275 JR
412	<b>Tirante posteriore</b> <i>Rear reinforcement, Hintere Zugstange, Renfort arrière, Tirante trasero</i>	66x4140x4 mm	S 275 JR
359	<b>Palo "U"</b> <i>U-post, U-Steher, Poteau en U, Poste "U"</i>	120x80 Th=5 H=1650 mm	S 275 JR
19	<b>Fascia 2 onde</b> <i>2-waves beam, 2-wellige Leitschiene, Glissière 2 crosses, Banda doble onda</i>	L=4316 (2000x2) Th=3 mm	S 275 JR
14	<b>Bullone completo</b> <i>Bolt with nut and washer, Schraube komplett, Boulon complet, Tornillo completo con tuerca y arandela</i>	M16x30 mm	Classe 8.8
13		M16x50 mm	Classe 8.8
11	<b>Piastrina copriasola</b> <i>Slot covering plate, Lochabdeckplatte, Plaque de couverture fente, Placa cubre-ranura</i>	100x40x4 mm	S 275 JR