

# Model Verderair VA 25 high pressure

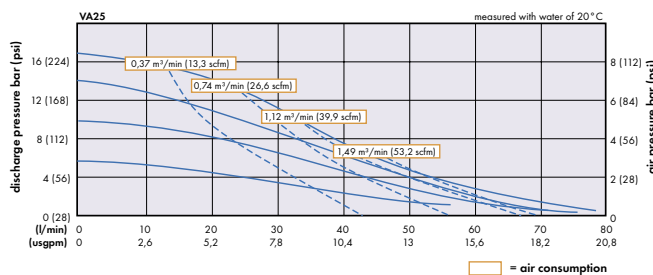
## Technical details

|   |   |         |
|---|---|---------|
| Weight [kg]   | Aluminium with Aluminium centre section             | 8.2     |
|   | Stainless Steel with Aluminium centre section       | 15      |
|   | Stainless Steel with Stainless Steel centre section | 22      |
| Suction lift [mwc]  | Dry   | 2.5     |
|   | Wet   | 5.5     |
| Temperature [°C]  | Aluminium   | 5 - 65* |
|   | Stainless Steel                                     | 5 - 65* |
| * 93 °C with Teflon diaphragms<br>Max. particle size [mm] 3.2 |   |         |

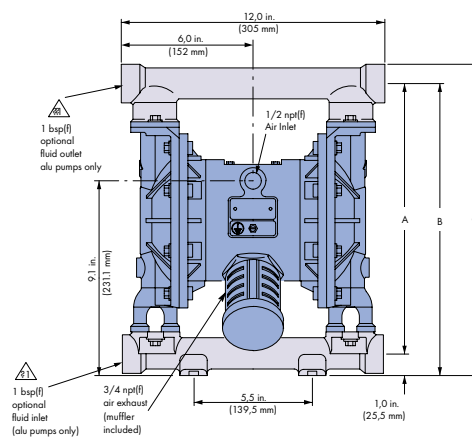
### Non wetted material

|                |                        |
|----------------|------------------------|
| Centre section | Epoxy coated Aluminium |
|                | Stainless Steel        |

## Flow range

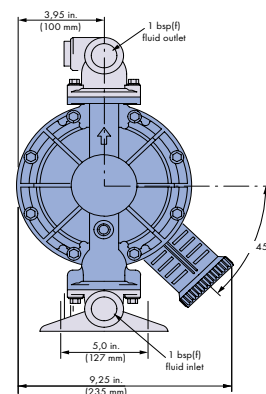


## Dimensions



### Dimensions Aluminum pumps

|   |          |
|---|----------|
| A | 319.5 mm |
| B | 345.0 mm |
| C | 367.8 mm |



### Dimensions SST pumps

|   |          |
|---|----------|
| A | 312.7 mm |
| B | 338.1 mm |
| C | 360.9 mm |

### Article codes

VA 25HP. [no.2] . [no.3] . [no.4] . [no.5]

[no.2] material of casing

AL = Aluminium  
SS = Stainless Steel

[no.3] material of seat

AC = Acetal  
PP = Polypropylene  
KY = Kynar  
SS = Stainless Steel  
HS = Hardened Steel  
HY = Hytrel  
SP = Santoprene  
VT = Viton  
BN = Buna N  
GE = Geolast

[no.4] material of valve

TF = Teflon  
HS = Hardened Steel  
HY = Hytrel  
SP = Santoprene  
BN = Buna N  
VT = Viton  
GE = Geolast  
AC = Acetal  
SS = Stainless Steel

[no.5] material of diaphragm

TF = Teflon  
HY = Hytrel  
SP = Santoprene  
BN = Buna N  
VT = Viton  
GE = Geolast

# Model Verderair VA 40 high pressure

## Technical details

|                    |   |         |
|--------------------|---|---------|
| Weight [kg]        | Aluminium with Aluminium centre section             | 15      |
|                    | Stainless Steel with Aluminium centre section       | 32.7    |
|                    | Stainless Steel with Stainless Steel centre section | 40      |
| Suction lift [mwc] | Dry   | 2.5     |
|                    | Wet   | 5.5     |
| Temperature [°C]   | Aluminium   | 5 - 65* |
|                    | Stainless Steel                                     | 5 - 65* |
|                    | * 93 °C with Teflon diaphragms                      |         |
|                    | Max. particle size [mm] 4.8                         |         |

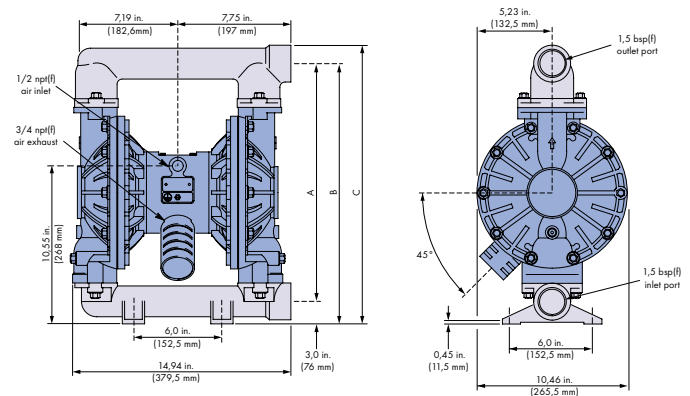
|                     |                        |
|---------------------|------------------------|
| Non wetted material |                        |
| Centre section      | Epoxy coated Aluminium |
|                     | Stainless Steel        |

|  |                      |
|--|----------------------|
| Article codes                              |                      |
| VA 40HP. [no.2] . [no.3] . [no.4] . [no.5] |                      |
| [no.2] material of casing                  |                      |
|  | AL = Aluminium       |
|  | SS = Stainless Steel |

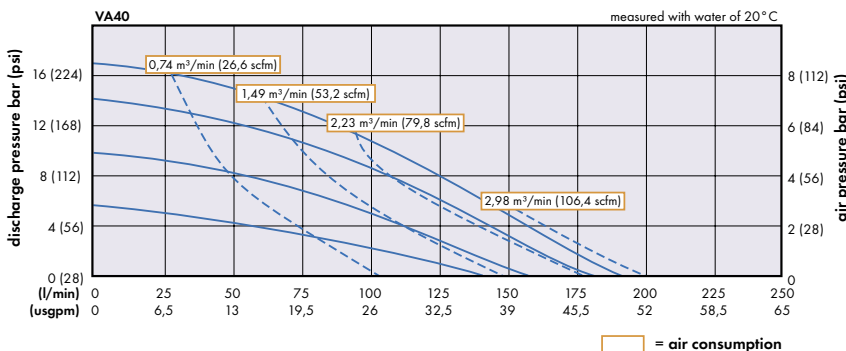
|                          |                      |
|--------------------------|----------------------|
| Article codes            |                      |
| [no.3] material of seat  |                      |
|                          | PP = Polypropylene   |
|                          | KY = Kynar           |
|                          | SS = Stainless Steel |
|                          | HS = Hardened Steel  |
|                          | HY = Hytrel          |
|                          | SP = Santoprene      |
|                          | GE = Geolast         |
|                          | VT = Viton           |
|                          | BN = Buna N          |
| [no.4] material of valve |                      |
|                          | AC = Acetal          |
|                          | GE = Geolast         |
|                          | HS = Hardened Steel  |
|                          | HY = Hytrel          |
|                          | SP = Santoprene      |
|                          | TF = Teflon          |
|                          | VT = Viton           |
|                          | BN = Buna N          |

|                              |                 |
|------------------------------|-----------------|
| Article codes                |                 |
| [no.5] material of diaphragm |                 |
|                              | TF = Teflon     |
|                              | HY = Hytrel     |
|                              | SP = Santoprene |
|                              | VT = Viton      |
|                              | GE = Geolast    |
|                              | BN = Buna N     |

## Dimensions



## Flow range



|                           |        |
|---------------------------|--------|
| Dimensions Aluminum pumps |        |
| A                         | 427 mm |
| B                         | 465 mm |
| C                         | 497 mm |

|                                  |          |
|----------------------------------|----------|
| Dimensions Stainless Steel pumps |          |
| A                                | 412.5 mm |
| B                                | 451 mm   |
| C                                | 482.5 mm |

## VERDER France

Parc des Bellevues, Rue du gros Chêne, BP 80040, 95610 Eragny-sur-Oise • Tel.: (33) 01 34 64 31 11 • Fax: (33) 01 34 64 44 50 • verder-info@verder.fr • www.verder.com

## Filiales:

A Wien • B Aartselaar • CN Shanghai • CZ Praha • D Haan • F Eragny s/Oise • GB Leeds • H Budapest  
 JPN Tokyo • NL Groningen/Vleuten • PL Katowice • RO Bucuresti • SA Kya Sand • SK Bratislava • USA Newtown

# Model Verderair VA 50 high pressure



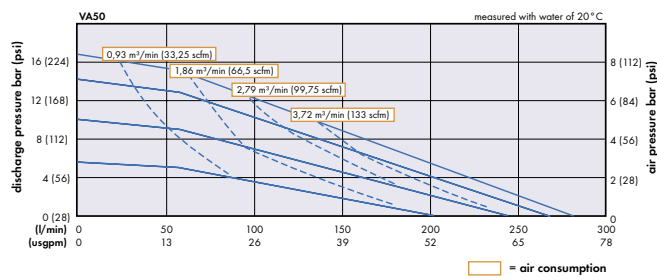
## Technical details

|                    |   |         |
|--------------------|---|---------|
| Weight [kg]        | Aluminium with Aluminium centre section       | 26      |
|                    | Stainless Steel with Aluminium centre section | 50      |
| Suction lift [mwc] | Dry   | 2.5     |
|                    | Wet   | 5.5     |
| Temperature [°C]   | Aluminium                                     | 5 - 65* |
|                    | Stainless Steel                               | 5 - 65* |
|                    | Cast Iron                                     | 5 - 65* |

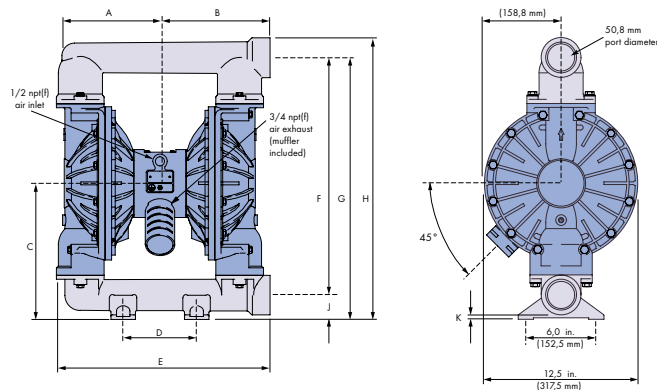
\* 93 °C with Teflon diaphragms  
Max. particle size [mm] 6.3

|                     |   |
|---------------------|---|
| Non wetted material |   |
| Centre section      | Epoxy coated Aluminium<br>Stainless Steel |

## Flow range



## Dimensions



## Article codes

VA 50HP. [no.2] . [no.3] . [no.4] . [no.5]  
[no.2] material of casing

AL = Aluminium  
SS = Stainless Steel  
CI = Cast Iron

## [no.3] material of seat

PP = Polypropylene  
SS = Stainless Steel  
HS = Hardened Steel  
VT = Viton  
HY = Hytrel  
SP = Santoprene  
GE = Geolast  
BN = Buna N

## [no.4] material of valve

TF = Teflon  
HY = Hytrel  
HS = Hardened Steel  
SP = Santoprene  
VT = Viton  
GE = Geolast  
AC = Acetal  
BN = Buna N

## [no.5] material of diaphragm

TF = Teflon  
HY = Hytrel  
SP = Santoprene  
VT = Viton  
GE = Geolast  
BN = Buna N

## Dimensions in mm

|   | SS    | DI    | AL    |
|---|-------|-------|-------|
| A | 227.7 | 213.1 | 213.1 |
| B | 239.0 | 230.1 | 230.1 |
| C | 393.7 | 312.4 | 312.4 |
| D | 165.1 | 152.4 | 152.4 |
| E | 458.9 | 443.2 | 443.2 |
| F | 565.7 | 492.0 | 505.5 |
| G | 625.8 | 542.8 | 556.3 |
| H | 668.0 | 584.2 | 597.7 |
| J | 60.2  | 50.8  | 50.8  |
| K | 24.1  | 9.7   | 9.7   |

# Model Verderair VA 80 high pressure

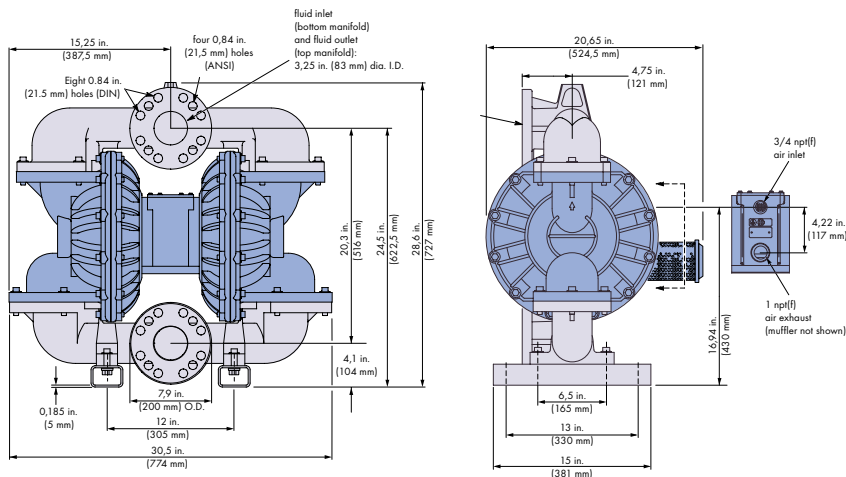
## Technical details

|                                    |           |        |
|------------------------------------|-----------|--------|
| Weight [kg]                        | Aluminium | 68     |
| Suction lift [mwc]                 | Dry       | 2.5    |
|                                    | Wet       | 5.5    |
| Temperature [°C]                   | Aluminium | 5 - 65 |
| <i>Max. particle size [mm] 9.4</i> |           |        |

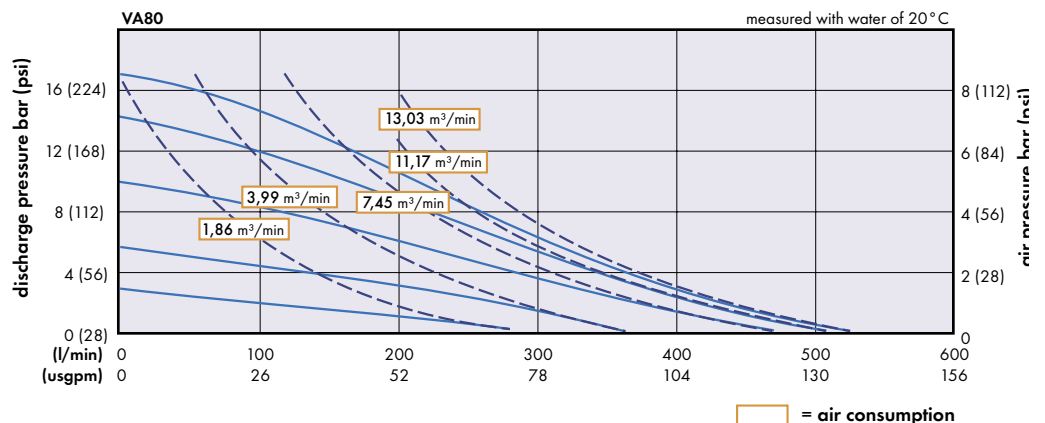
|                     |                        |  |
|---------------------|------------------------|--|
| Non wetted material |                        |  |
| Centre section      | Epoxy coated Aluminium |  |

|  |  |
|--|--|
| Article codes                              |  |
| VA 80HP. [no.2] . [no.3] . [no.4] . [no.5] |  |
| [no.2] material of casing                  |  |
| AL = Aluminium                             |  |
| [no.3] material of seat                    |  |
| SS = Stainless Steel                       |  |
| SP = Santoprene                            |  |
| GE = Geolast                               |  |
| HY = Hytel                                 |  |
| [no.4] material of valve                   |  |
| TF = Teflon                                |  |
| SP = Santoprene                            |  |
| GE = Geolast                               |  |
| AC = Acetal                                |  |
| [no.5] material of diaphragm               |  |
| TF = Teflon                                |  |
| HY = Hytel                                 |  |
| SP = Santoprene                            |  |
| GE = Geolast                               |  |

## Dimensions



## Flow range



### VERDER France

Parc des Bellevues, Rue du gros Chêne, BP 80040, 95610 Eragny-sur-Oise • Tel.: (33) 01 34 64 31 11 • Fax: (33) 01 34 64 44 50 • verder-info@verder.fr • www.verder.com

### Filiales:

A Wien • B Aartselaar • CN Shanghai • CZ Praha • D Haan • F Eragny s/Oise • GB Leeds • H Budapest  
JPN Tokyo • NL Groningen/Vleuten • PL Katowice • RO Bucuresti • SA Kya Sand • SK Bratislava • USA Newtown