



Nova C Perch



Index

Apperance Nova C Perch.....	p1
Recycling	p2
Nova C Perch Straight Parts	p3
Assembly instructions Nova C Perch Straight	p4-5
Nova C Perch Concave Parts	p6
Assembly instructions Nova C Perch Concave	p7-8
Nova C Perch Convex Parts	p9
Assembly instructions Nova C Perch Convex.....	p10-11
Nova C Perch Double Stright Parts.....	p12
Assembly instructions Nova C Perch Double Straight	p13
Nova C Perch Double Curved Parts	p14
Assembly instructions Nova C Perch Double Curved	p15-16

Nova C Perch Straight



Nova C Perch Concave



Nova C Perch Convex



Nova C Perch Duble Straight



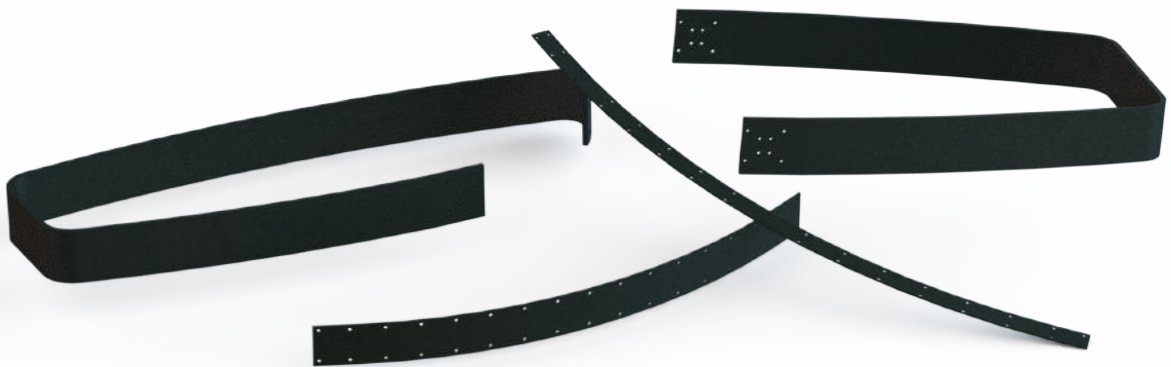
Nova C Perch Duble Curved



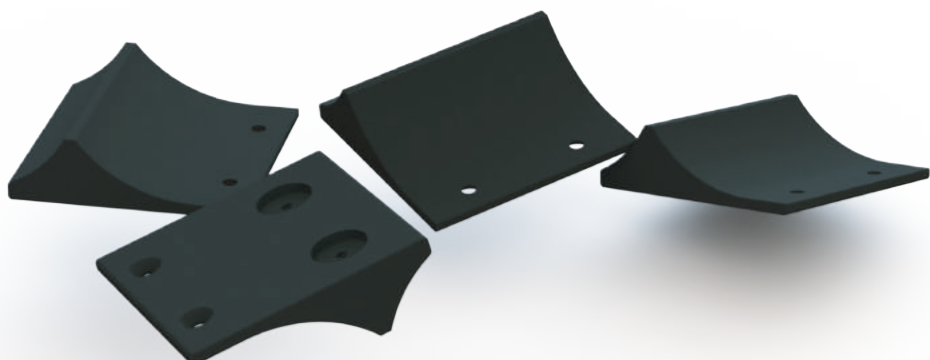
Wood

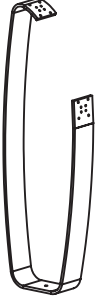



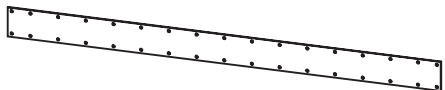
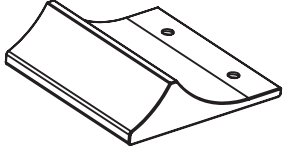
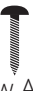

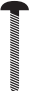
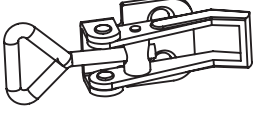
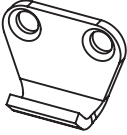


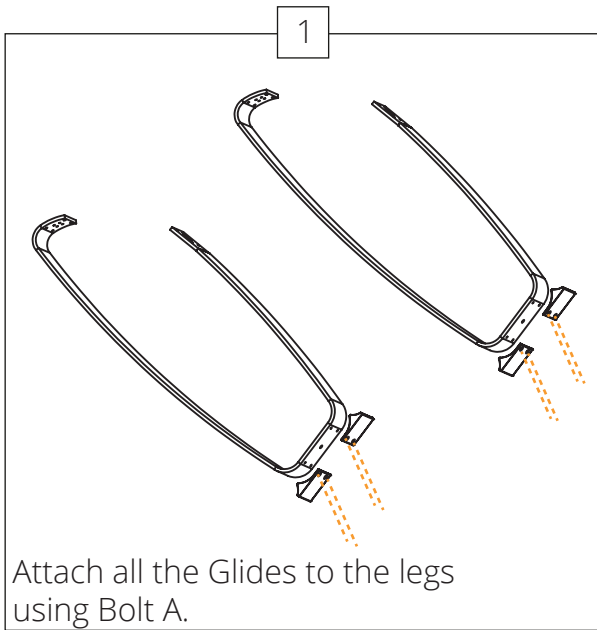
Metal



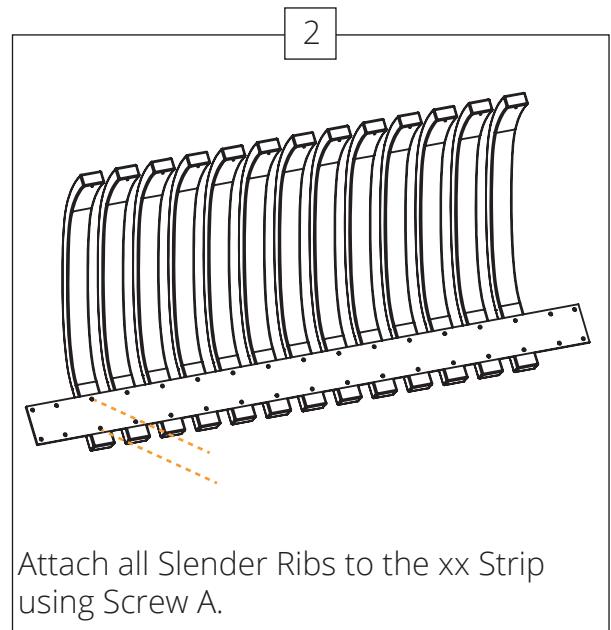
Plastic



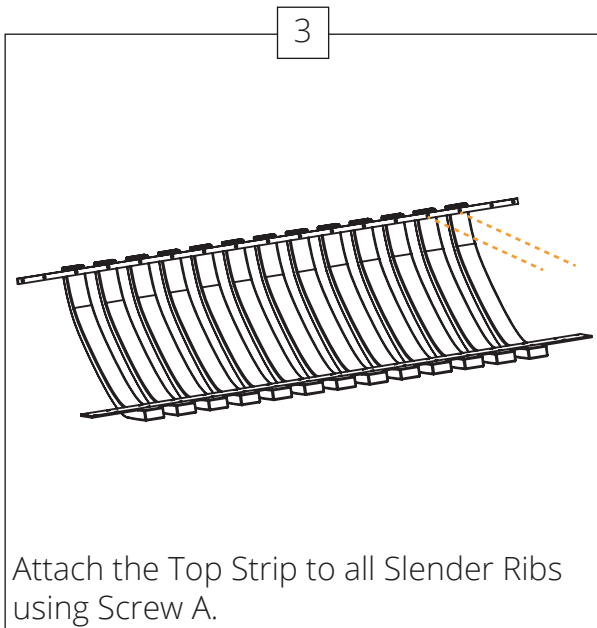
 <p>Nova C Perch SingleLeg x2</p>	 <p>Nova C Perch Wide Rib x2</p>	 <p>Nova C Perch Slender Rib x13</p>
 <p>Nova C Perch Strip Top x1</p>	 <p>Nova C Perch xx Strip x1</p>	 <p>Nova C Series Single Glides x4</p>
 Screw A x51  Bolt A x16  Screw B x8	 Drawbolt Catch Arm x2  Drawbolt Catch Hook x2	



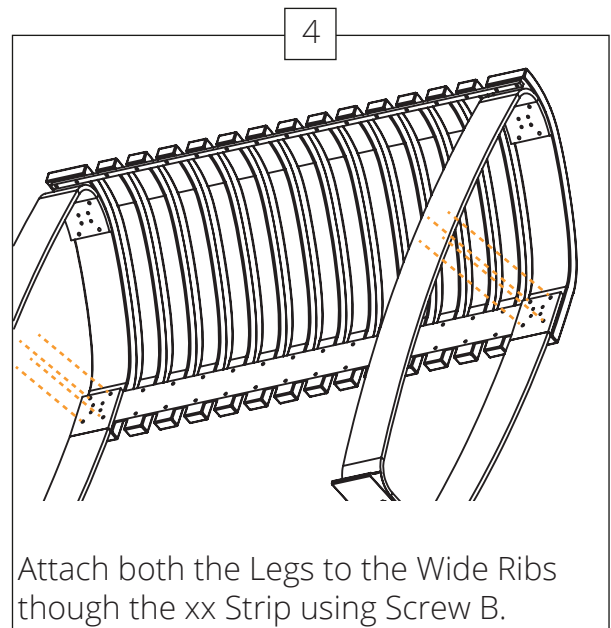
Attach all the Glides to the legs using Bolt A.



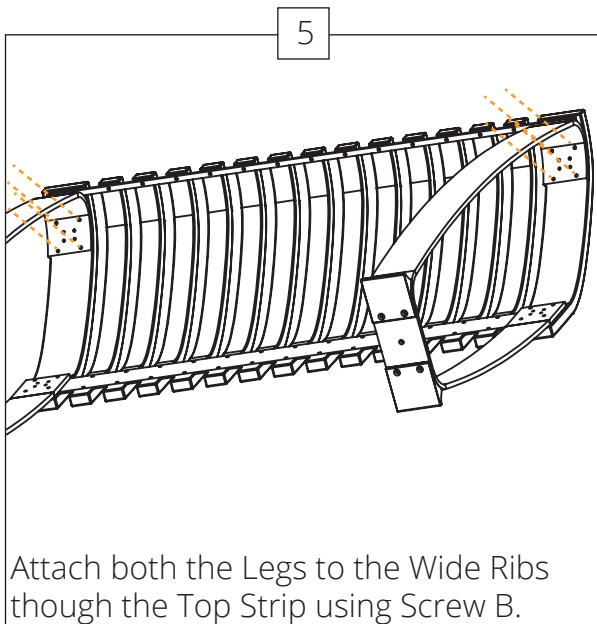
Attach all Slender Ribs to the xx Strip using Screw A.



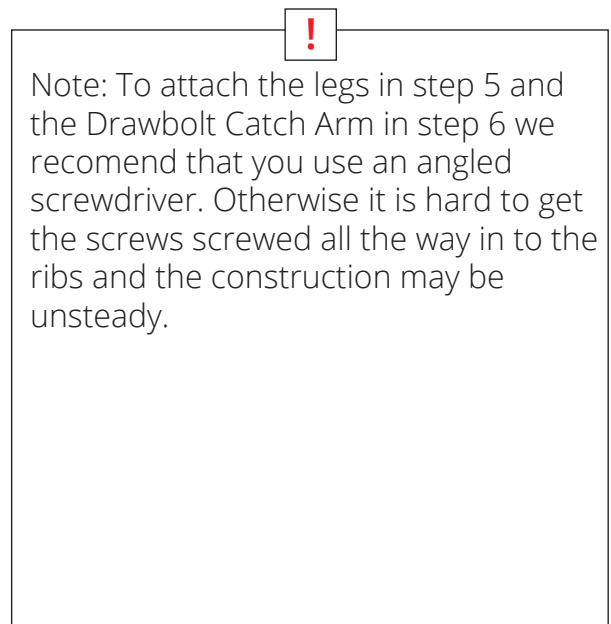
Attach the Top Strip to all Slender Ribs using Screw A.



Attach both the Legs to the Wide Ribs though the xx Strip using Screw B.

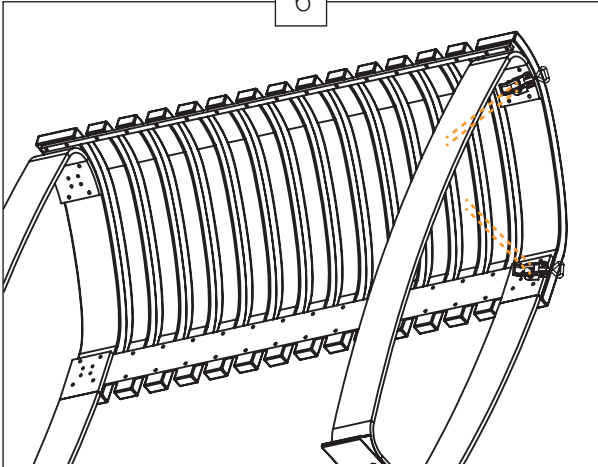


Attach both the Legs to the Wide Ribs though the Top Strip using Screw B.



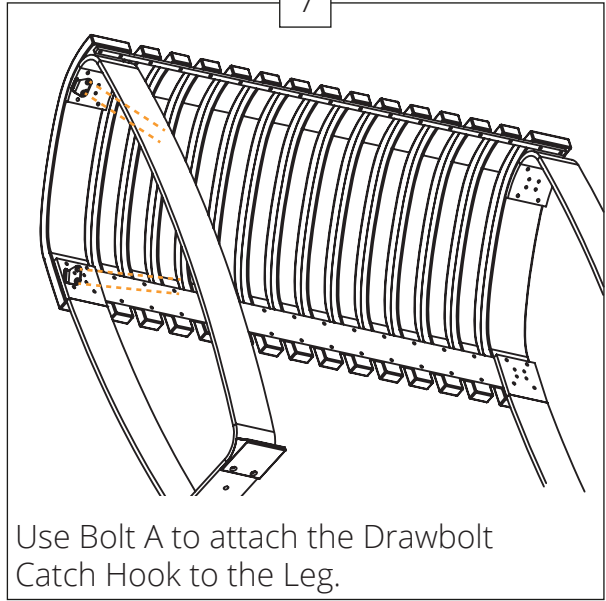
Note: To attach the legs in step 5 and the Drawbolt Catch Arm in step 6 we recomend that you use an angled screwdriver. Otherwise it is hard to get the screws screwed all the way in to the ribs and the construction may be unsteady.

6



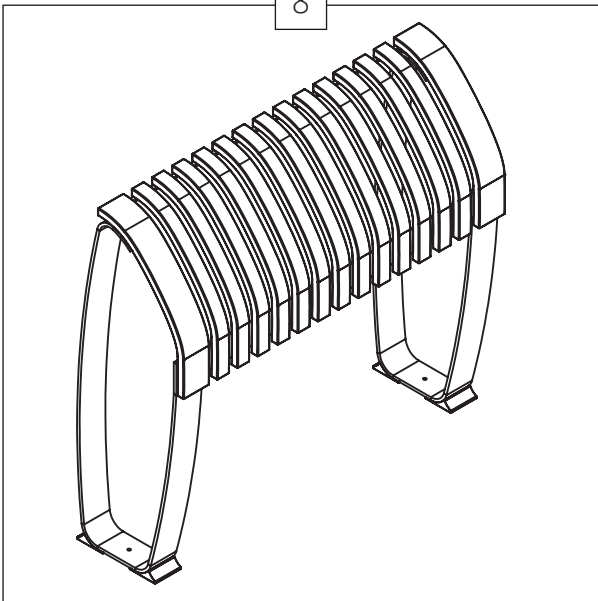
Use Bolt A to attach the Drawbolt Catch Arms to the Leg.

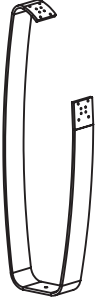



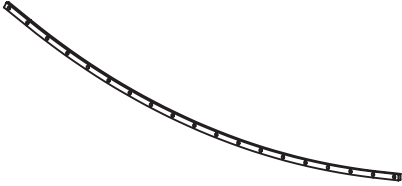
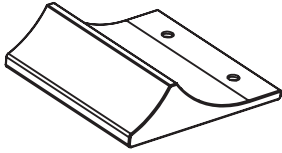
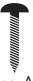

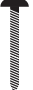
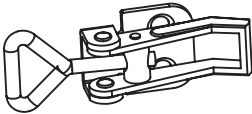

7

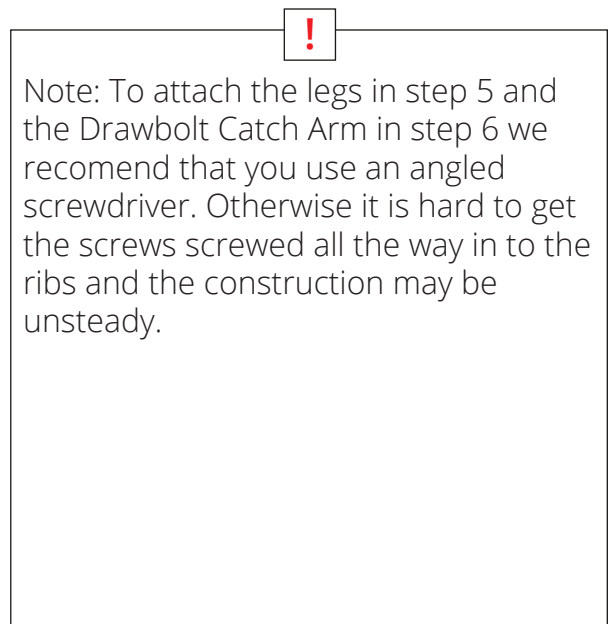
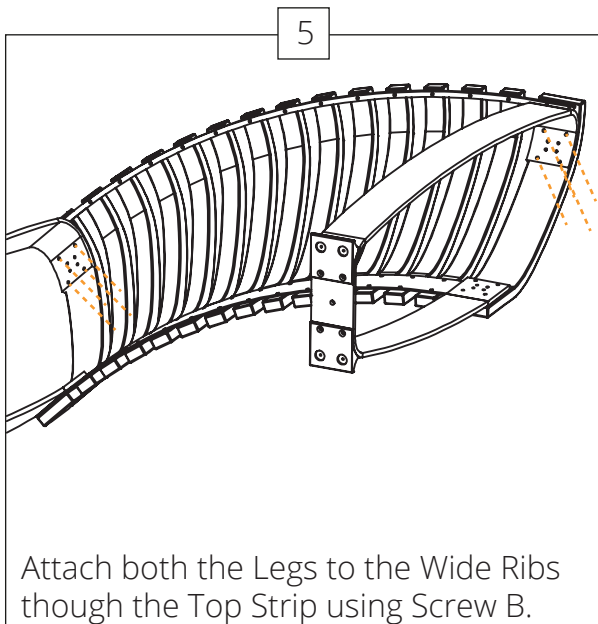
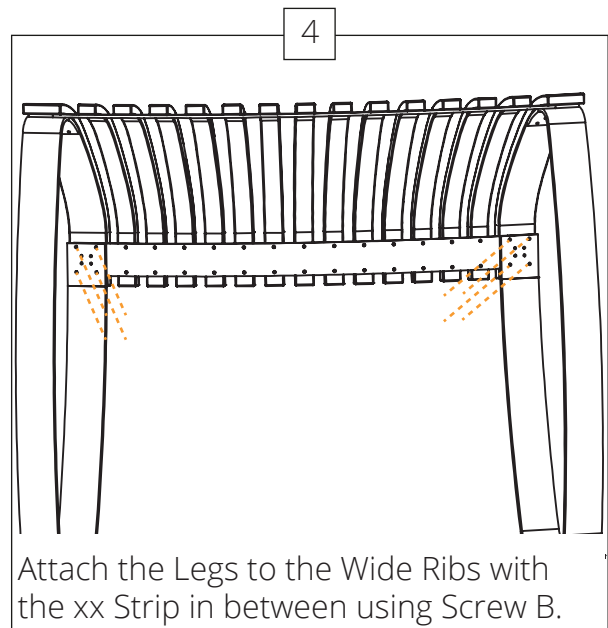
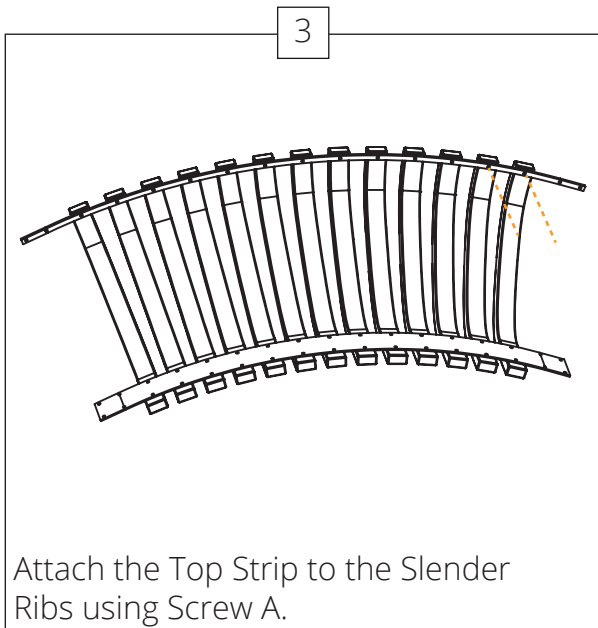
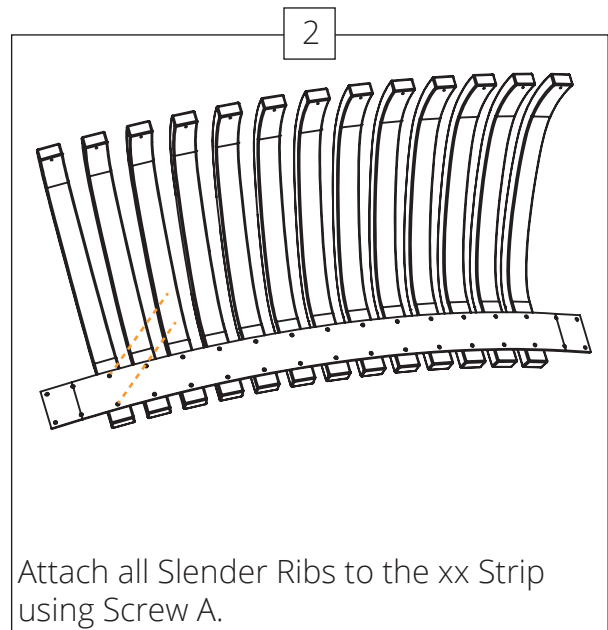
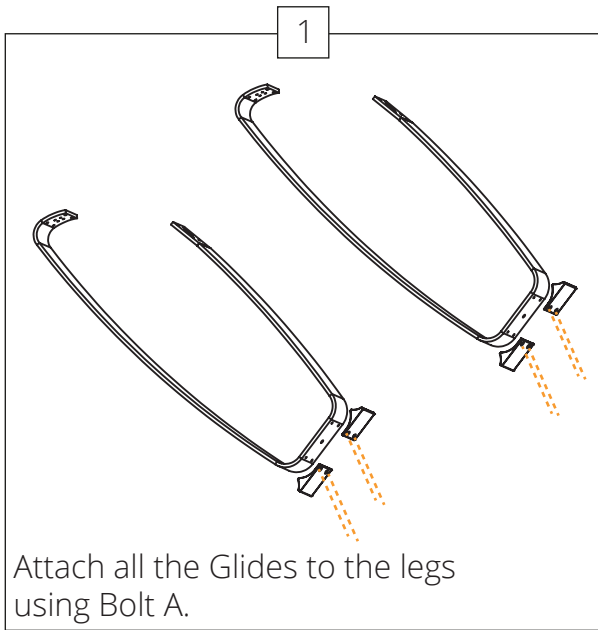


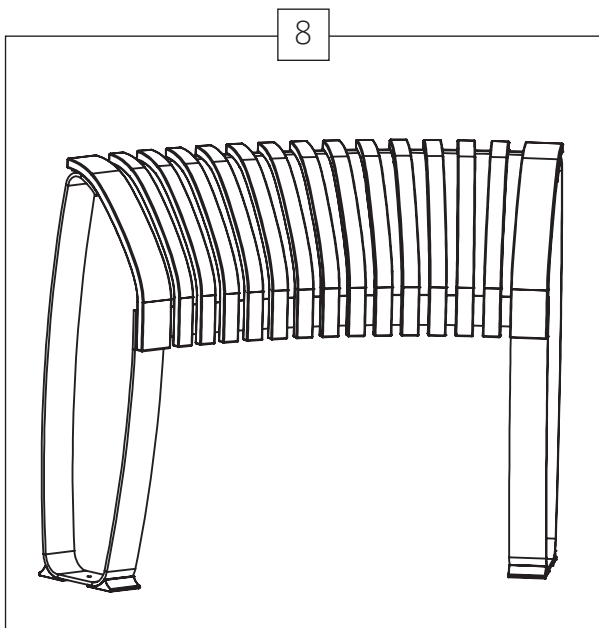
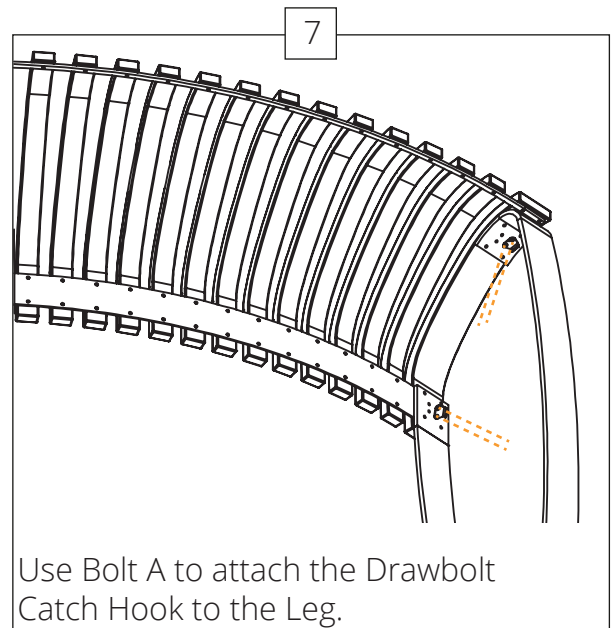
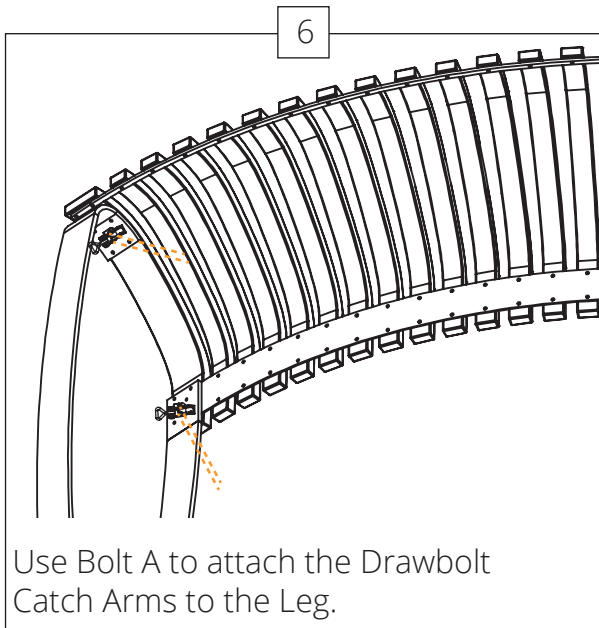
Use Bolt A to attach the Drawbolt Catch Hook to the Leg.

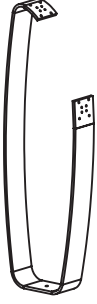



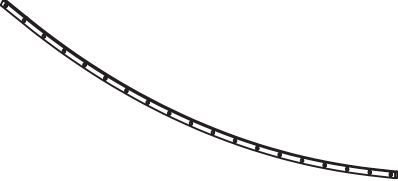
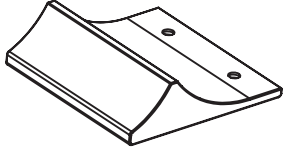


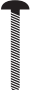
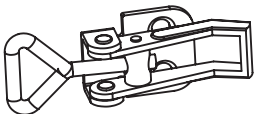
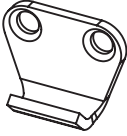
8

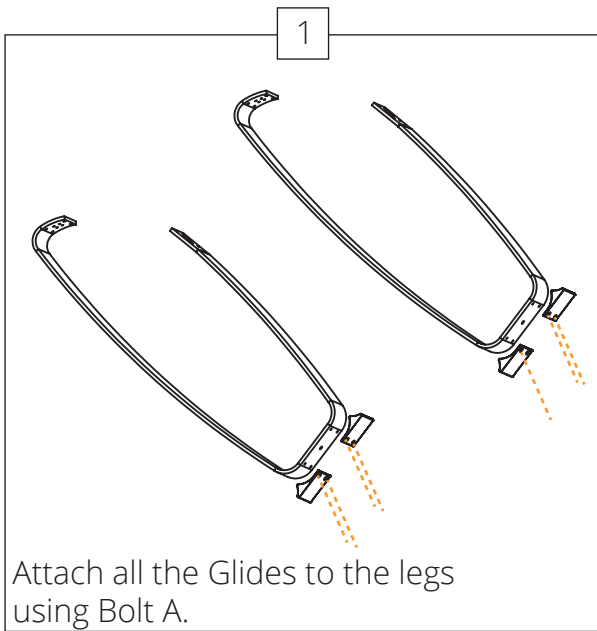


 <p>Nova C Perch SingleLeg x2</p>	 <p>Nova C Perch Wide Rib x2</p>	 <p>Nova C Perch Slender Rib x13</p>
 <p>Nova C Perch xx Strip Concave x1</p>	 <p>Nova C Perch Concave Strip Top x1</p>	 <p>Nova C Series Single Glides x4</p>
 Screw A x51  Bolt A x16  Screw B x8	 Drawbolt Catch Arm x2  Drawbolt Catch Hook x2	

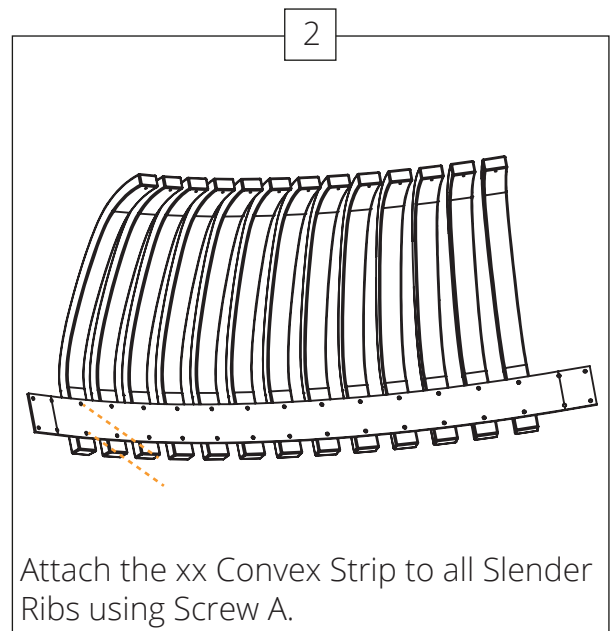




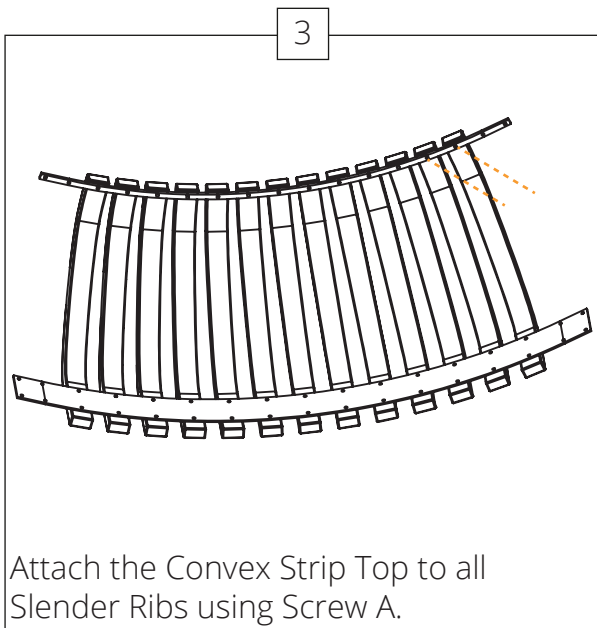
 <p>Nova C Perch SingleLeg x2</p>	 <p>Nova C Perch Wide Rib x2</p>	 <p>Nova C Perch Slender Rib x13</p>
 <p>Nova C Perch xx Strip Convex x1</p>	 <p>Nova C Perch Convex Strip Top x1</p>	 <p>Nova C Series Single Glides x4</p>
 Screw A x51  Bolt A x16  Screw B x8	 Drawbolt Catch Arm x2  Drawbolt Catch Hook x2	



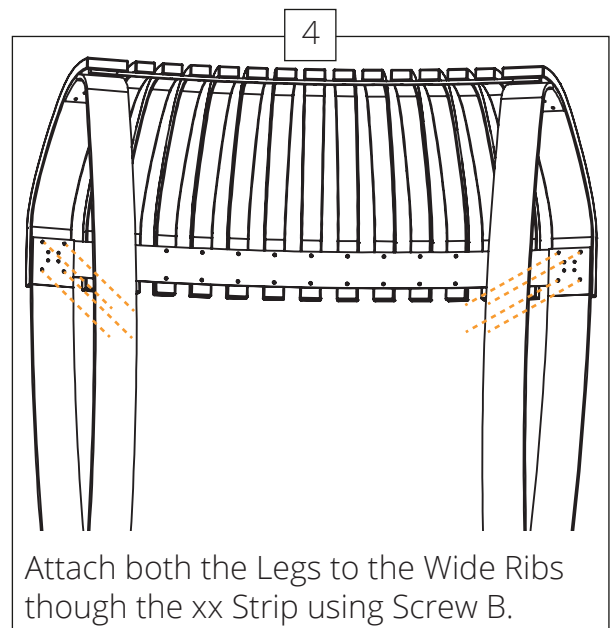
Attach all the Glides to the legs using Bolt A.



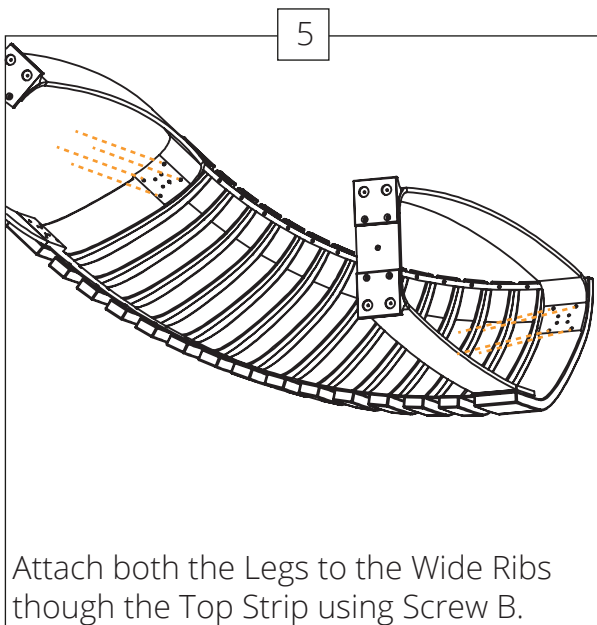
Attach the xx Convex Strip to all Slender Ribs using Screw A.



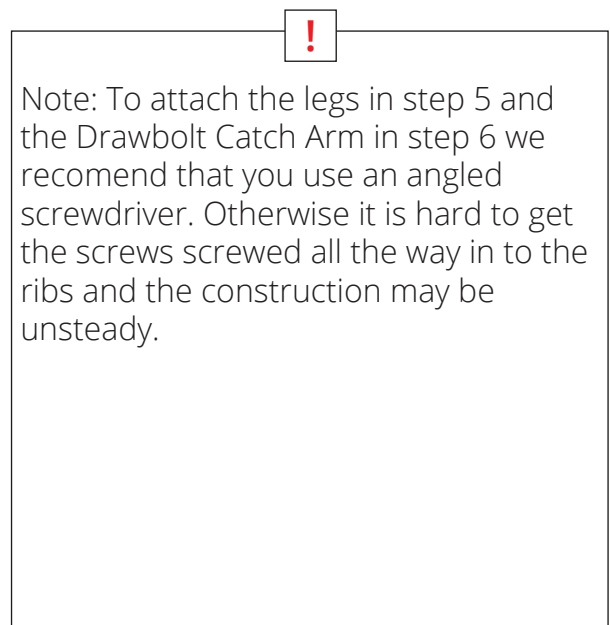
Attach the Convex Strip Top to all Slender Ribs using Screw A.



Attach both the Legs to the Wide Ribs though the xx Strip using Screw B.

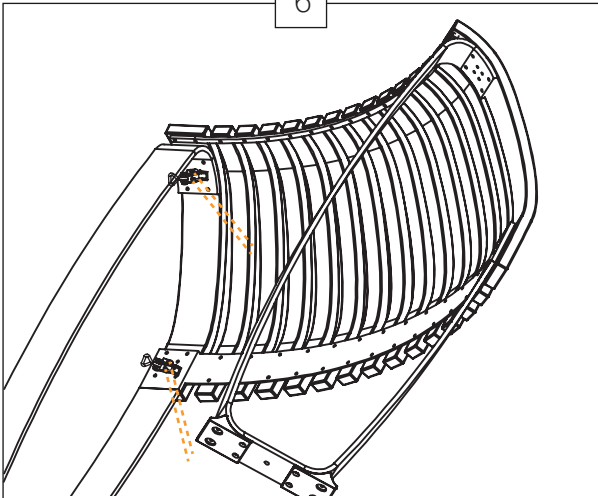


Attach both the Legs to the Wide Ribs though the Top Strip using Screw B.



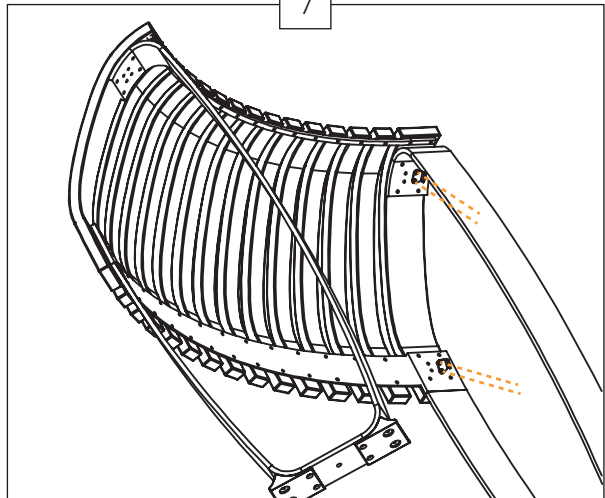
Note: To attach the legs in step 5 and the Drawbolt Catch Arm in step 6 we recomend that you use an angled screwdriver. Otherwise it is hard to get the screws screwed all the way in to the ribs and the construction may be unsteady.

6



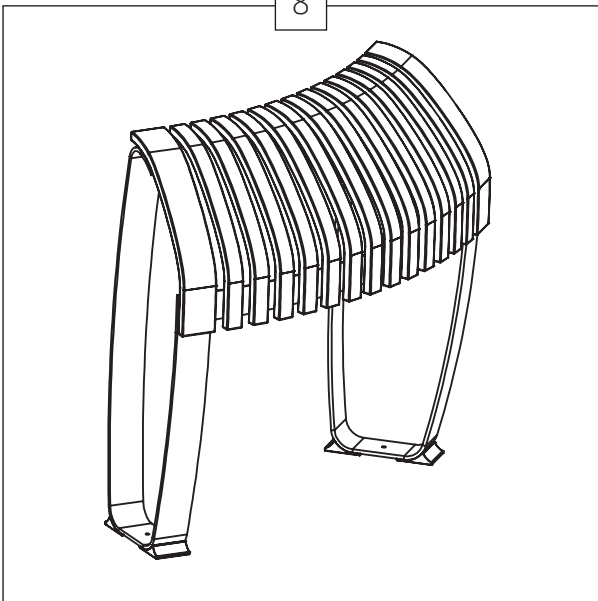
Use Bolt A to attach the Drawbolt Catch Arms to the Leg.

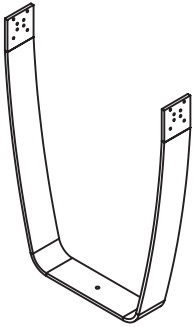


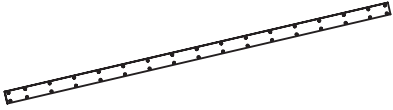
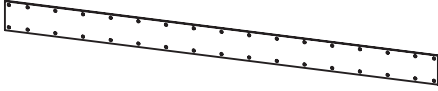
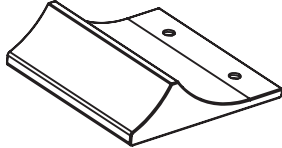



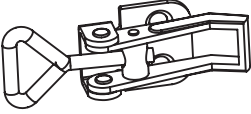
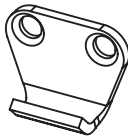
7

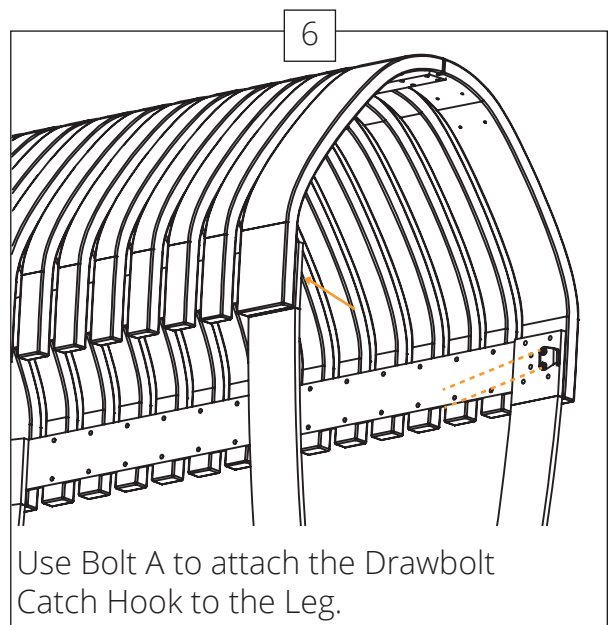
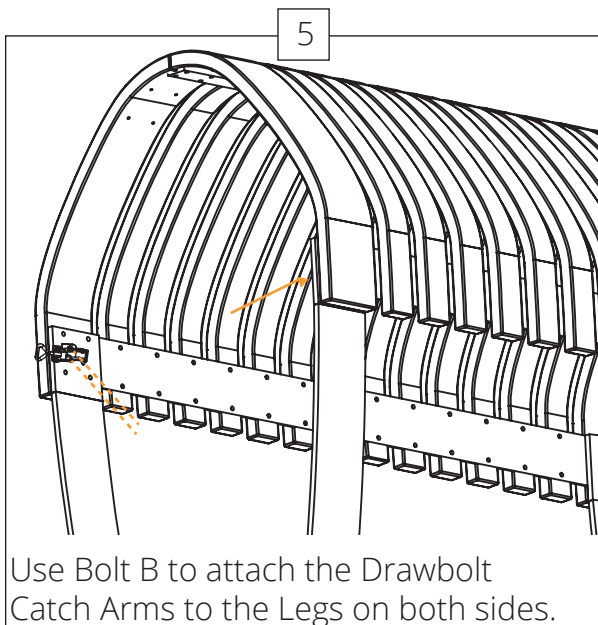
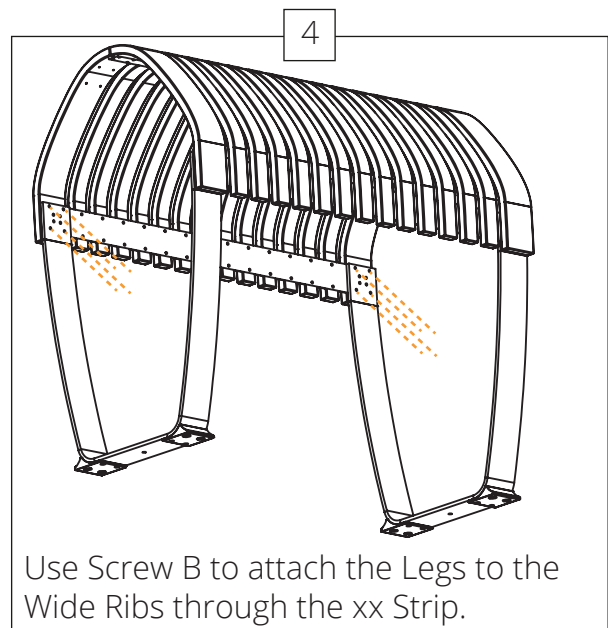
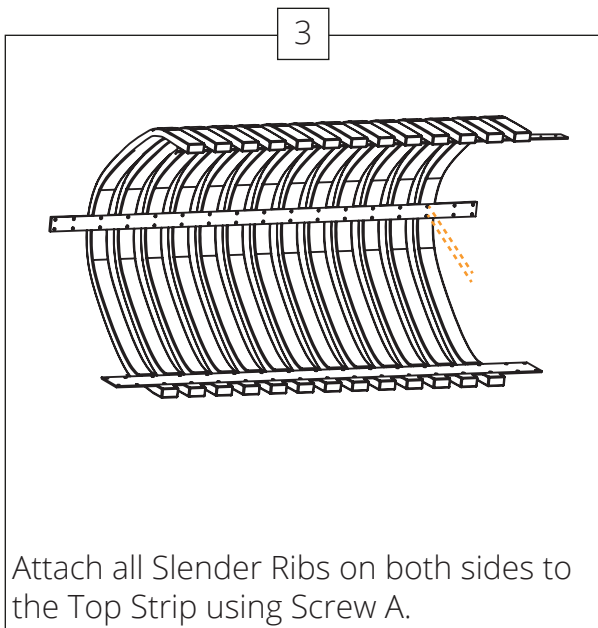
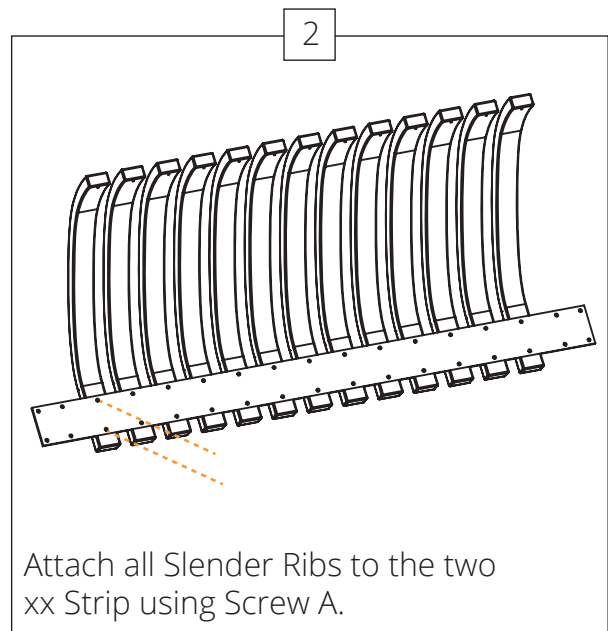
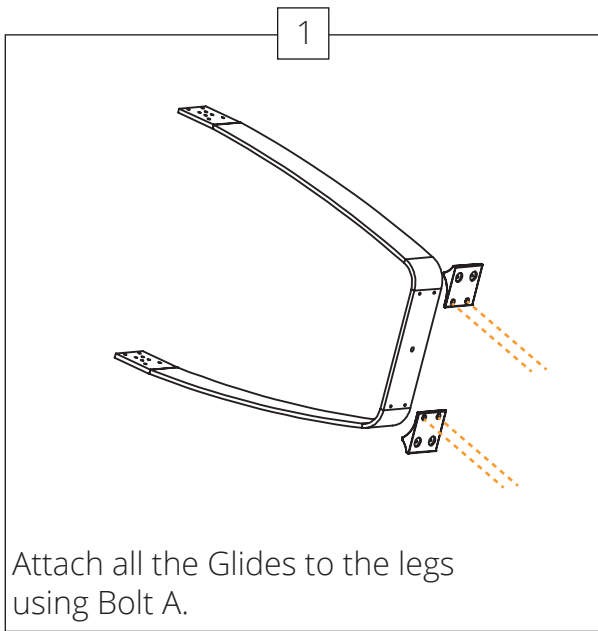


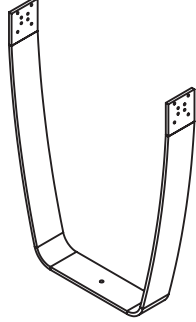


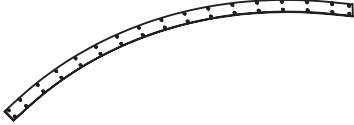
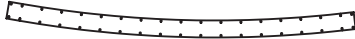
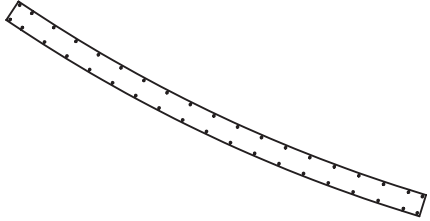



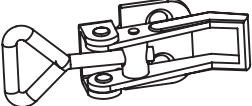
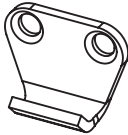
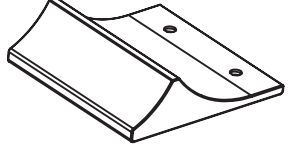
Use Bolt A to attach the Drawbolt Catch Hook to the Leg.

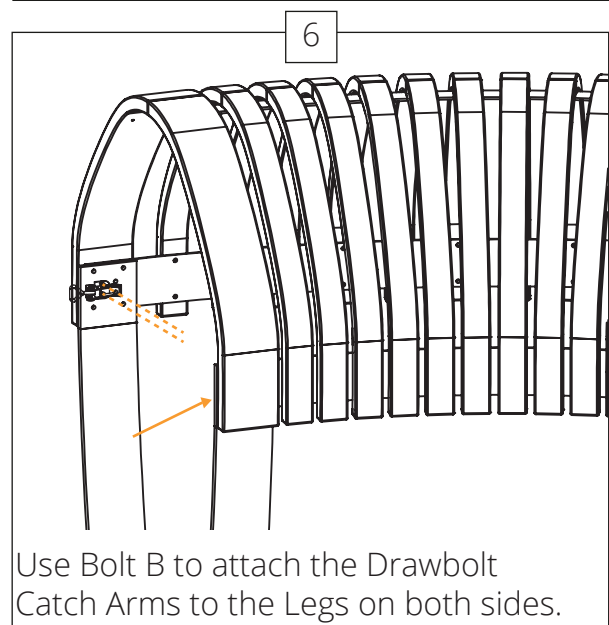
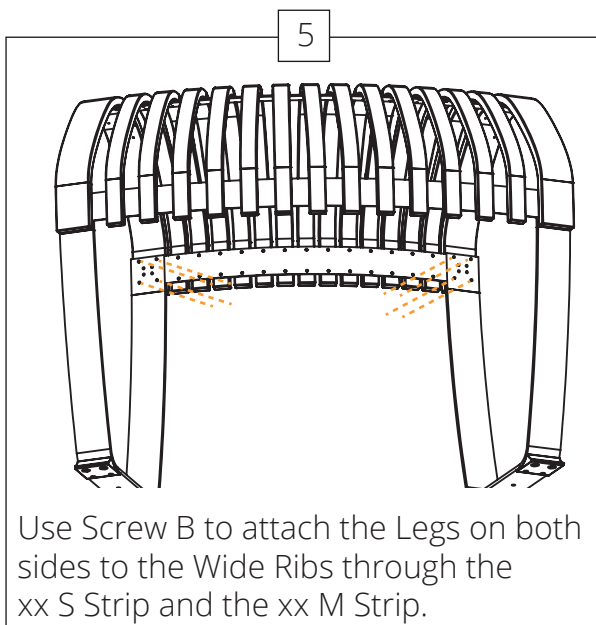
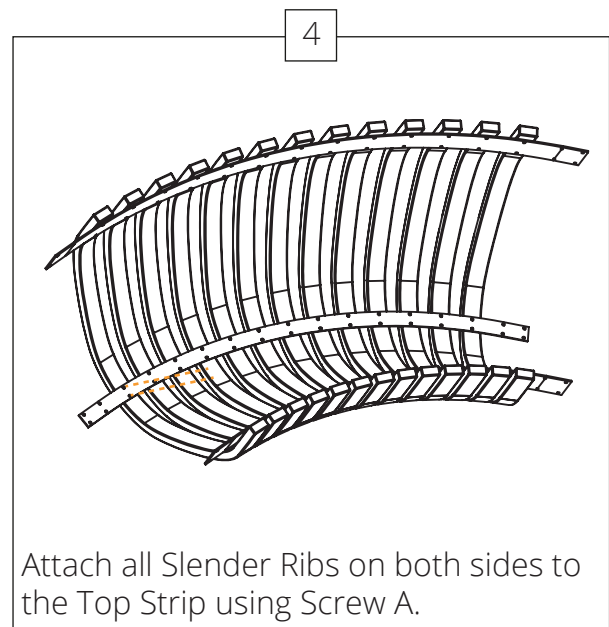
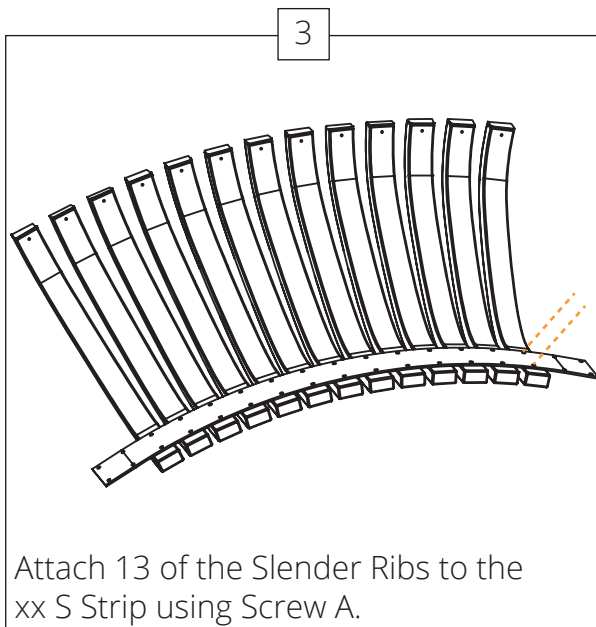
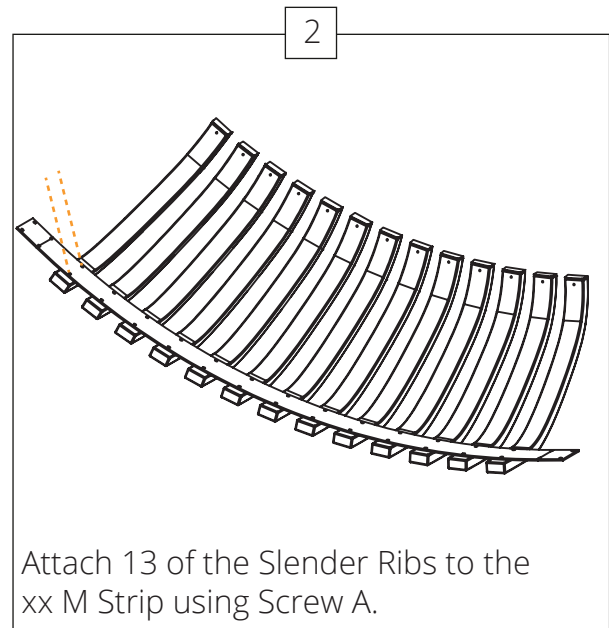
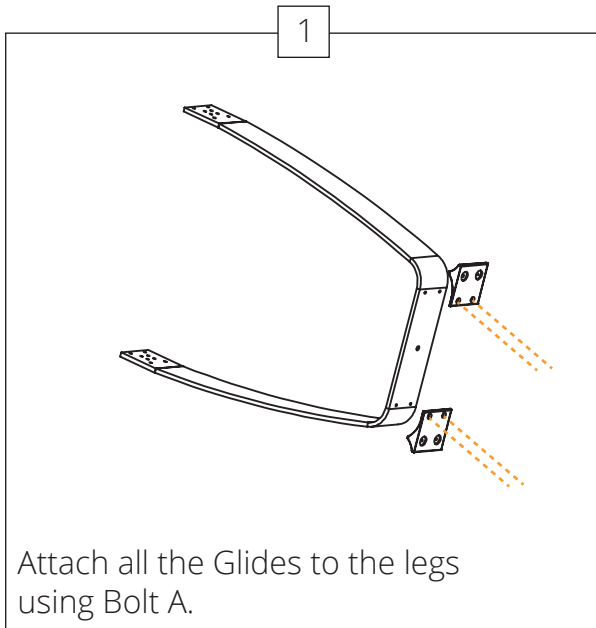
8

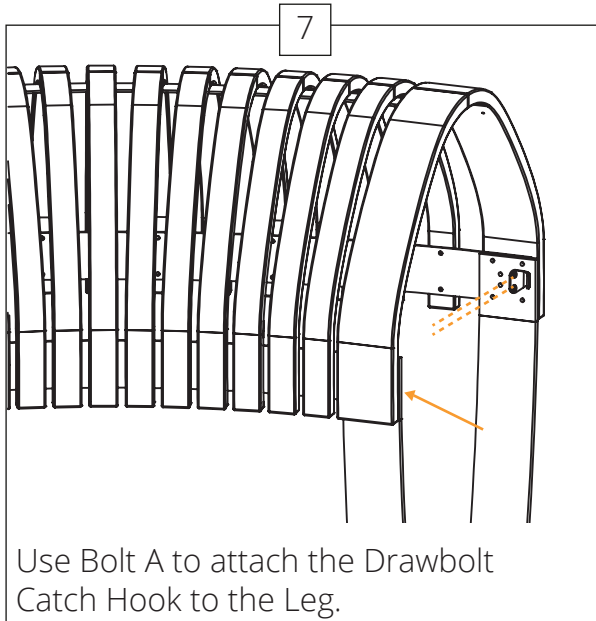


 <p>Nova C Perch Doble Leg x2</p>	 <p>Nova C Perch Wide Rib x4</p>	 <p>Nova C Perch Slender Rib x26</p>
 <p>Nova C Perch Strip Top x1</p>	 <p>Nova C Perch xx Strip x2</p>	 <p>Nova C Series Single Glides x4</p>
 Screw A x86  Bolt A x16  Screw B x16	 Drawbolt Catch Arm x2  Drawbolt Catch Hook x2	



 <p>Nova C Perch Doble Leg x2</p>	 <p>Nova C Perch Wide Rib x4</p>	 <p>Nova C Perch Slender Rib x26</p>
 <p>Nova C Perch Strip Top x1</p>	 <p>Nova C Perch xx S Strip x1</p>	 <p>Nova C Perch xx M Strip x1</p>
 Screw A x86  Bolt A x16  Screw B x16	 Drawbolt Catch Arm x2  Drawbolt Catch Hook x2	 Nova C Series Single Glides x4





G

Green Furniture Concept