



Product Catalog

SPX

SPX1280

max 8000 kg

5730 x 1450 x 2040 mm

max 26.6 m
with JIB301.3H

max 20.0 m

Reduced stabilization area, 8 T max capacity, 27,5-metres max working height, 2 T pick & carry: a mini crane with unique features which make it incomparable on the market.



Technical Information

Dimension	L x W x H	5730 x 1450 x 2040 mm
Stab. Area		4600 x 4600 mm

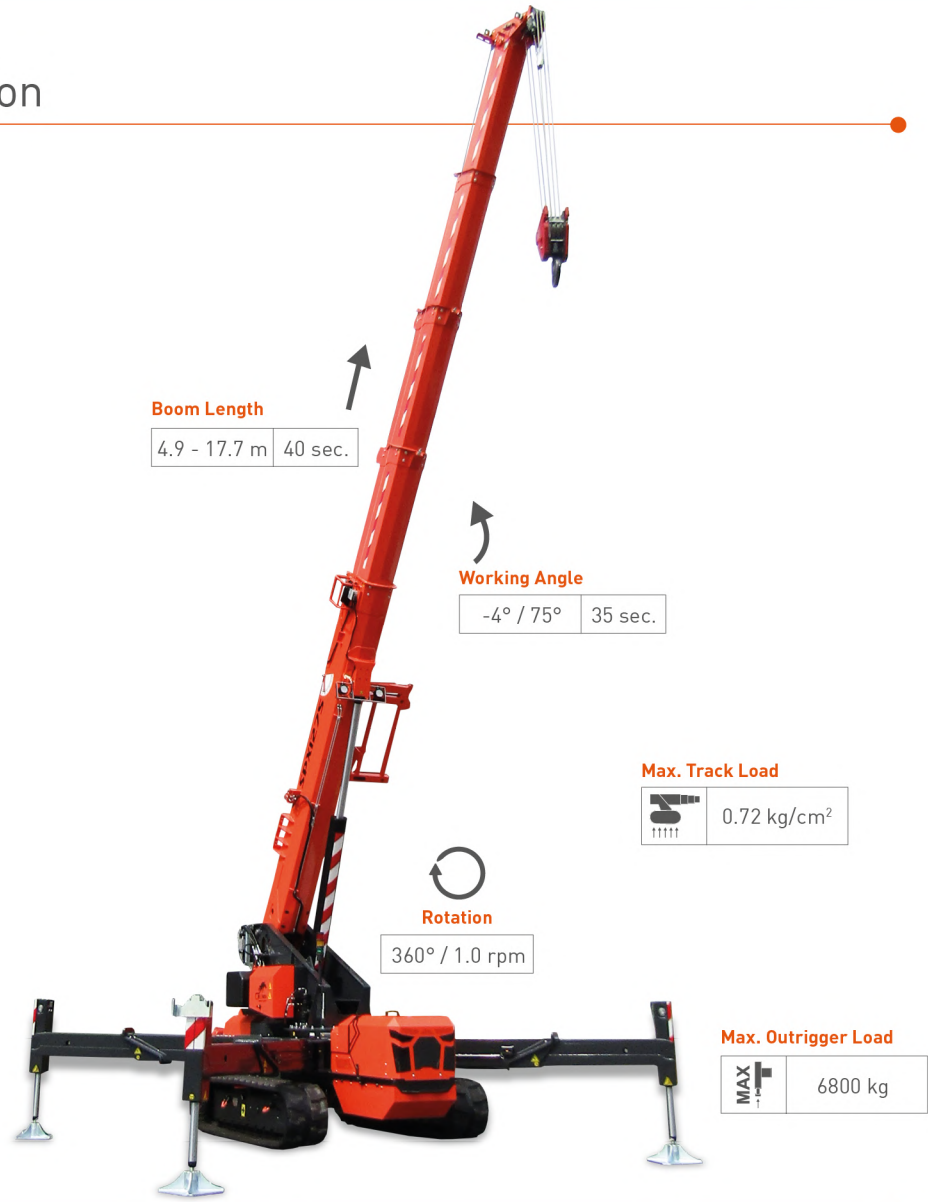
		Kg
Crane & Options Weights	SPX1280	7000
	/	1500
	8T-D10	110
	JIB3500GX	70
	JIB1501.3HL JIB1501.1FL	680 270
JIB303GR	250	

SPX1280	Diesel Engine	KUBOTA D1105-E4B	18.5 kW 25 Hp
---------	---------------	------------------	------------------

Speed		1,5/3,0 km/h
-------	--	--------------

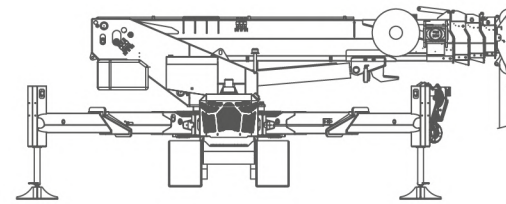
Erreability		20°
-------------	--	-----

Ext. Tracks		1450-2050 mm
-------------	--	--------------



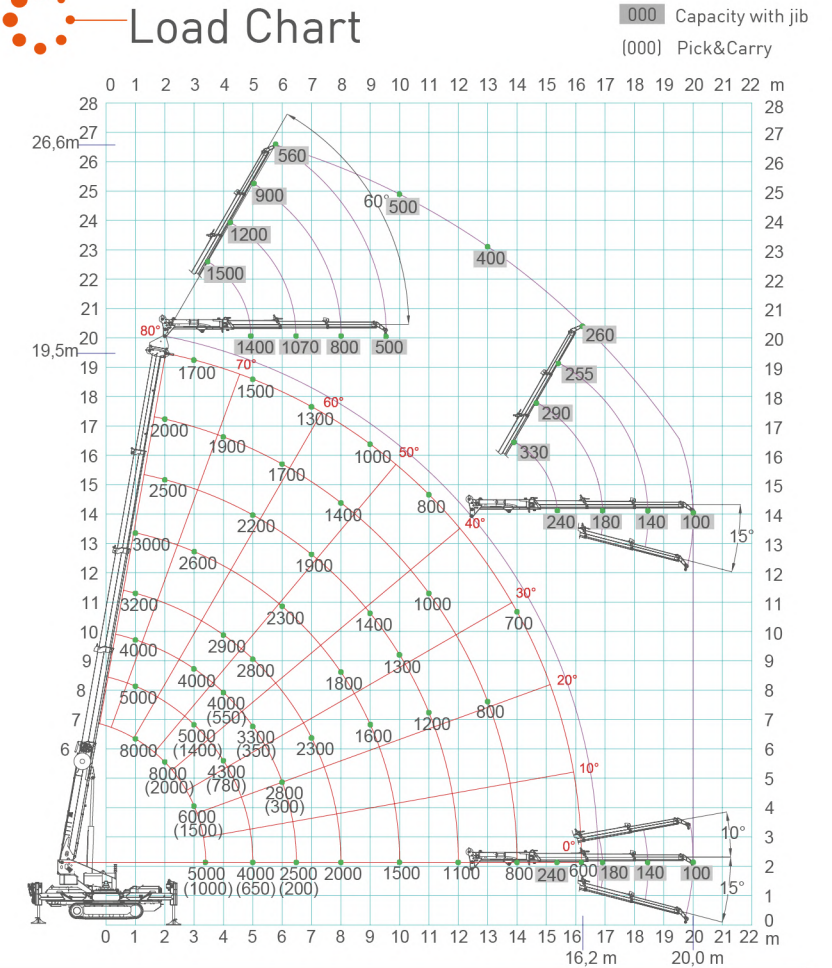
Winch & Fall Stages

Main Winch	1500 kg 125 m - Ø 10 mm 63,8-115,1 m/min.
------------	---

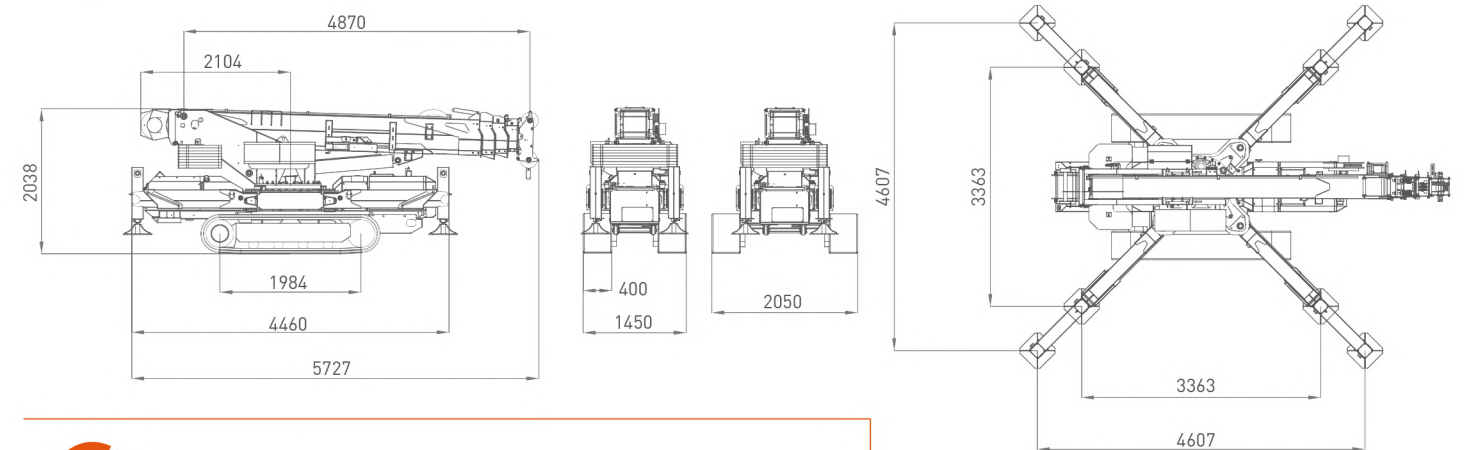


Max. Capacity	Line	Metres
max 8000 kg	5	-23 m
max 6000 kg	4	-29 m
max 4500 kg	3	-37 m
max 3000 kg	2	-52 m
max 1500 kg	1	-116 m

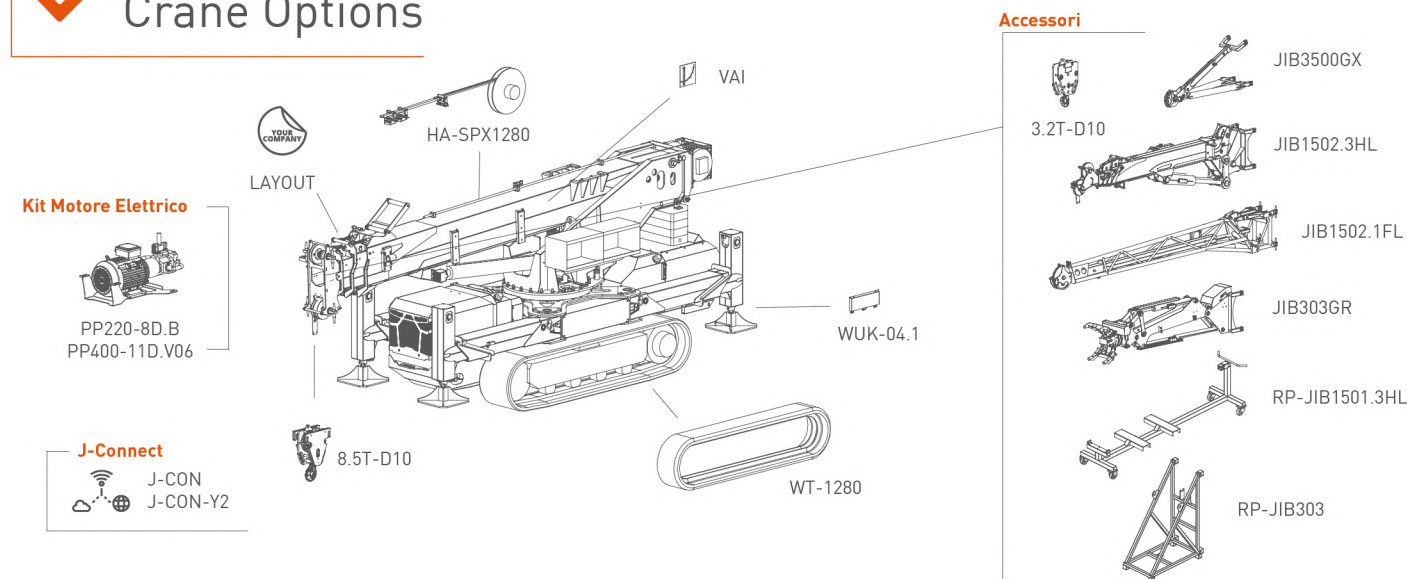
Load Chart



Dimensions



Crane Options



- A2B
- BPI
- CCI
- DTC
- EXT
- GSC
- LMI
- P&C
- PPA
- SCI
- TH
- VW
- RCD
- 2SW
- 2ST

Tools Configurations

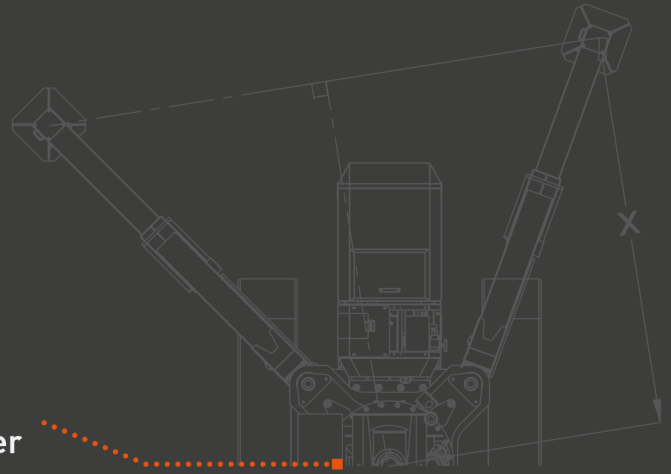
JIB3500GX	JIB1501.FL	JIB1501.3H	JIB303GR
max 3500 kg	max 1500 kg	max 1500 kg	max 300 kg
max 1600 kg @ 21 m	max 900 kg @ 26.5 m	max 560 kg @ 26.5 m	max 300 kg @ 22.2 m
max 400 kg @ 17.7 m	max 200 kg @ 16 m	max 100 kg @ 20 m	max 300 kg @ 16.2 m

SPX1280 Features

**GREATER PERFORMANCE
IN SMALLER WORKING AREAS.**

INTUITIVE AND EFFECTIVE STABILIZATION SYSTEM

The outriggers can be opened **from 0° to 90°** with a continuous rotation, creating infinite stabilization combinations. With **4 stabilization areas**, the crane can now work in conditions that would **have never been possible before**.



RADIO REMOTE-CONTROL

SPX1280 features a **brand new radio remote-control** with a made in Jekko software that makes this crane extremely easy to use.



NEW HYDRAULIC SYSTEM

An improved hydraulic system allows the crane to work with more **fluid and precise movements**, giving a **better feeling to the operator**. Selecting the proper configuration on the radio remote-control, the crane is able to **adapt to the job** that is being carried out, ensuring **greater efficiency and higher energy saving**.

NEW COST-EFFECTIVE ENGINE

SPX1280 is equipped with a smaller engine (compared to the previous model), in order to **optimize power** and take full advantage of the engine. **Smaller engine, better performances and less maintenance costs.**



Jekko srl

Via Campardone, 1 - 31014 Colle Umberto (TV) Italy
info@jekko.it - www.jekko-cranes.com