

# Cat® 3516B

## Dynamic Gas Blending™ (DGB™) Generator Sets

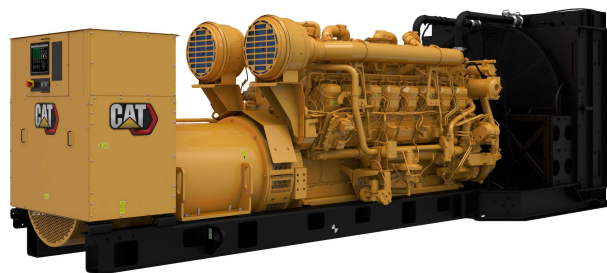


Image shown may not reflect actual configuration

Bore – mm (in)	170 (6.69)
Stroke – mm (in)	190 (7.48)
Displacement – L (in <sup>3</sup> )	69 (4210.64)
Compression Ratio	14.0:1
Aspiration	TA
Fuel System	EUI
Governor Type	ADEM™ A4

Prime 60 Hz ekW (kVA)	Continuous 60 Hz ekW (kVA)	Emissions Performance
1825 (2281)	1640 (2050)	Optimized for Low Fuel Consumption

### Standard Features

#### Dynamic Gas Blending™ (DGB™) System

- DGB system automatically activates when gas supply is detected
- Reduces diesel consumption by up to 70% using gas substitution while maintaining safe engine operation
- Control system enables maximum substitution over the widest load range in the industry
- Maintains traditional diesel generator set power and transient response performance
- Accepts a wide range of gas quality and automatically adjusts to fuel quality changes, eliminating the need for field calibration
- Maintains existing diesel maintenance and overhaul intervals

#### Cat® Diesel Engine

- Designed and optimized for low fuel consumption
- Reliable performance proven in thousands of applications worldwide

#### Generator Set Package

- Accepts 100% block load in one step and meets NFPA 110 loading requirements
- Conforms to ISO 8528-5 G2 load acceptance requirements
- Reliability verified through torsional vibration, fuel consumption, oil consumption, transient performance, and endurance testing

#### Alternators

- Superior motor starting capability minimizes need for oversizing generator
- Designed to match performance and output characteristics of Cat diesel engines

#### Cooling System

- Cooling systems available to operate in ambient temperatures up to 43°C (109°F)
- Tested to ensure proper generator set cooling

#### EMCP 4 Control Panels

- EMCP 4.3/4.4 control panel is the single-point interface for the engine, generator, and DGB functions
- User-friendly interface and navigation
- Scalable system to meet a wide range of installation requirements
- Expansion modules and site specific programming for specific customer requirements

#### Warranty

- 24 months/1000-hour warranty for standby and mission critical ratings
- 12 months/unlimited hour warranty for prime and continuous ratings
- Extended service protection is available to provide extended coverage options

#### Worldwide Product Support

- Cat dealers have over 1,800 dealer branch stores operating in 200 countries
- Your local Cat dealer provides extensive post-sale support, including maintenance and repair agreements

#### Financing

- Caterpillar offers an array of financial products to help you succeed through financial service excellence
- Options include loans, finance lease, operating lease, working capital, and revolving line of credit
- Contact your local Cat dealer for availability in your region

## Optional Equipment

### Engine

#### Air Cleaner

- Single element
- Dual element

#### Muffler

- Industrial grade (15 dB)

#### Starting

- Standard batteries
- Oversized batteries
- Standard electric starter(s)
- Heavy duty electric starter(s)
- Air starter(s)
- Jacket water heater

### Alternator

#### Output voltage

- 380V     6300V
- 440V     6600V
- 480V     6900V
- 600V     12470V
- 2400V    13200V
- 4160V    13800V

#### Temperature Rise (over 40°C ambient)

- 150°C
- 125°C/130°C
- 105°C
- 80°C

#### Winding type

- Random wound
- Form wound

#### Excitation

- Internal excitation (IE)
- Permanent magnet (PM)

#### Attachments

- Anti-condensation heater
- Stator and bearing temperature monitoring and protection

### Power Termination

#### Type

- Bus bar
- Circuit breaker
- 1600A     2000A
- 2500A    3000A
- 3200A    4000A
- 5000A
- UL         IEC
- 3-pole     4-pole
- Manually operated
- Electrically operated

#### Trip Unit

- LSI         LSI-G
- LSIG-P

### Control System

#### Controller

- EMCP 4.3
- EMCP 4.4

#### Attachments

- Local annunciator module
- Remote annunciator module
- Expansion I/O module
- Remote monitoring software

### Charging

- Battery charger – 10A
- Battery charger – 20A
- Battery charger – 35A

### Vibration Isolators

- Rubber
- Spring
- Seismic rated

### Cat Connect

#### Connectivity

- Ethernet
- Cellular
- Satellite

### Extended Service Options

#### Terms

- 2 year (prime)
- 3 year
- 5 year
- 10 year

#### Coverage

- Silver
- Gold
- Platinum
- Platinum Plus

### Ancillary Equipment

- Automatic transfer switch (ATS)
- Uninterruptible power supply (UPS)
- Paralleling switchgear
- Paralleling controls

**Note:** Some options may not be available on all models. Certifications may not be available with all model configurations. Consult factory for availability.

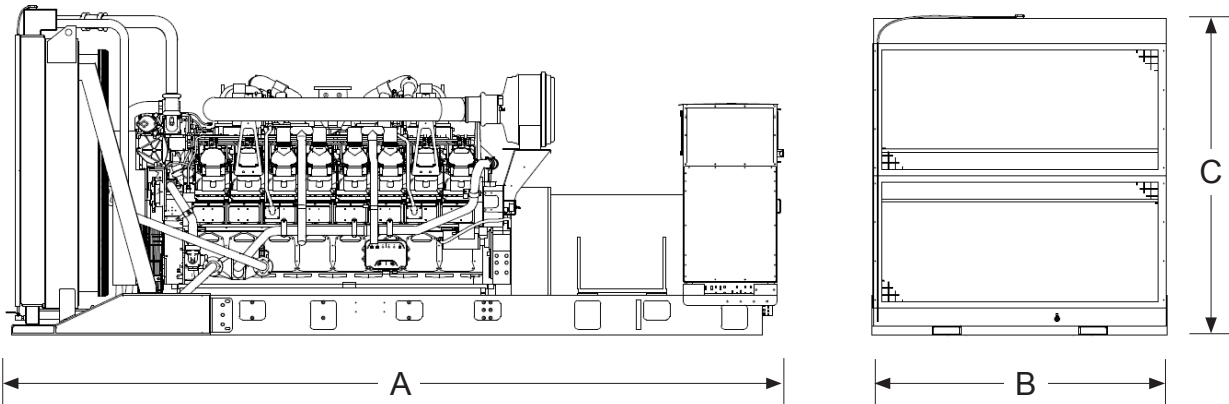
## Package Performance

Low Fuel Consumption (60°C SCAC) based on 100% Diesel, except\*

Performance	Prime		Continuous	
Frequency	60 Hz		60 Hz	
Genset power rating with fan	1825 ekW		1640 ekW	
Genset power rating with fan @ 0.8 power factor	2281 kVA		2050 kVA	
Emissions	Low Fuel		Low Fuel	
Performance number	EM2600-00		EM2602-00	
Aftercooler (separate circuit) – °C (°F)	60	(140)	60	(140)
<b>Fuel Consumption</b>				
100% load with fan – L/hr (gal/hr)	472.7	(124.9)	425.9	(112.5)
75% load with fan – L/hr (gal/hr)	356.7	(94.2)	323.8	(85.6)
50% load with fan – L/hr (gal/hr)	252.0	(66.6)	231.3	(61.1)
25% load with fan – L/hr (gal/hr)	152.1	(40.2)	141.5	(37.4)
<b>*Gas Fuel Flow (Pressure range before regulating: 0.83-6.89 bar (12-100 psi))</b>				
Maximum @ 85 MN – MJ/hr (Btu/min)	12652	(199863)	12636	(199610)
<b>Cooling System</b>				
Radiator air flow restriction (system) – kPa (in. water)	0.12	(0.48)	0.12	(0.48)
Radiator air flow – m <sup>3</sup> /min (cfm)	1841	(65014)	1841	(65014)
Engine coolant capacity – L (gal)	233.0	(61.6)	233.0	(61.6)
Radiator coolant capacity – L (gal)	236.0	(62.0)	236.0	(62.0)
Total coolant capacity – L (gal)	469.0	(123.6)	469.0	(123.6)
<b>Inlet Air</b>				
Combustion air inlet flow rate – m <sup>3</sup> /min (cfm)	159.9	(5646.2)	150.9	(5328.3)
<b>Exhaust System</b>				
Exhaust stack gas temperature – °C (°F)	455.6	(852.1)	437.9	(820.2)
Exhaust gas flow rate – m <sup>3</sup> /min (cfm)	406.6	(14357.3)	374.0	(13206.1)
Exhaust system backpressure (maximum allowable) – kPa (in. water)	6.7	(27.0)	6.7	(27.0)
<b>Heat Rejection</b>				
Heat rejection to jacket water – kW (Btu/min)	719	(40889)	667	(37931)
Heat rejection to exhaust (total) – kW (Btu/min)	1778	(101112)	1598	(90876)
Heat rejection to aftercooler – kW (Btu/min)	418	(23772)	352	(20018)
Heat rejection to atmosphere from engine – kW (Btu/min)	136	(7734)	128	(7279)
Heat rejection from alternator – kW (Btu/min)	86	(4895)	76	(4326)
<b>Emissions** (Nominal)</b>				
NOx mg/Nm <sup>3</sup> (g/hp-h)	4495.1	(9.27)	4356.2	(8.99)
CO mg/Nm <sup>3</sup> (g/hp-h)	145.7	(0.30)	126.6	(0.26)
HC mg/Nm <sup>3</sup> (g/hp-h)	111.5	(0.23)	97.2	(0.20)
PM mg/Nm <sup>3</sup> (g/hp-h)	36.6	(0.08)	36.3	(0.07)
<b>Emissions** (Potential Site Variation)</b>				
NOx mg/Nm <sup>3</sup> (g/hp-h)	5394.1	(11.13)	5227.5	(10.79)
CO mg/Nm <sup>3</sup> (g/hp-h)	262.3	(0.54)	227.9	(0.47)
HC mg/Nm <sup>3</sup> (g/hp-h)	148.3	(0.31)	129.3	(0.27)
PM mg/Nm <sup>3</sup> (g/hp-h)	51.2	(0.11)	50.8	(0.10)

\*\*mg/Nm<sup>3</sup> levels are corrected to 5% O<sub>2</sub>. Contact your local Cat dealer for further information.

## Weights and Dimensions



Dim "A" mm (in)	Dim "B" mm (in)	Dim "C" mm (in)	Dry Weight kg (lb)
6557 (258.1)	2288 (90.1)	2391 (94.1)	15 135 (33,300)

**Note:** For reference only. Do not use for installation design. Contact your local Cat dealer for precise weights and dimensions.

## Ratings Definitions

### Prime

Output available with varying load for an unlimited time. Average power output is 70% of the prime power rating. Typical peak demand is 100% of prime rated kW with 10% overload capability for emergency use for a maximum of 1 hour in 12. Overload operation cannot exceed 25 hours per year.

### Continuous

Output available with non-varying load for an unlimited time. Average power output is 70-100% of the continuous power rating. Typical peak demand is 100% of continuous rated kW for 100% of the operating hours.

### Applicable Codes and Standards

AS 1359, CSA C22.2 No. 100-04, UL 142, UL 489, UL 869, UL 2200, NFPA 37, NFPA 70, NFPA 99, NFPA 110, IBC, IEC 60034-1, ISO 3046, ISO 8528, NEMA MG1-22, NEMA MG1-33, 2014/35/EU, 2006/42/EC, 2014/30/EU.

**Note:** Codes may not be available in all model configurations. Please consult your local Cat dealer for availability.

### Data Center Applications

- ISO 8528-1 Data Center Power (DCP) compliant per DCP application of Cat diesel generator set prime power rating.
- All ratings Tier III/Tier IV compliant per Uptime Institute requirements.
- All ratings ANSI/TIA-942 compliant for Rated-1 through Rated-4 data centers.

### Fuel Rates

Fuel rates are based on fuel oil of 35° API [16°C (60°F)] gravity having an LHV of 42,780 kJ/kg (18,390 Btu/lb) when used at 29°C (85°F) and weighing 838.9 g/liter (7.001 lbs/U.S. gal.)

[www.cat.com/electricpower](http://www.cat.com/electricpower)

©2019 Caterpillar  
All rights reserved.

Materials and specifications are subject to change without notice. The International System of Units (SI) is used in this publication.