

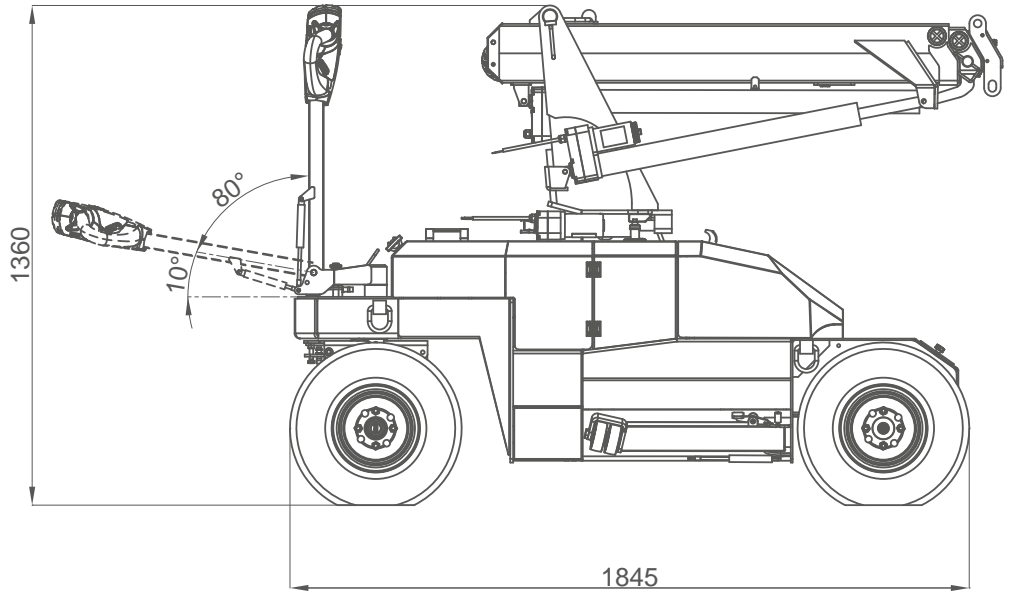
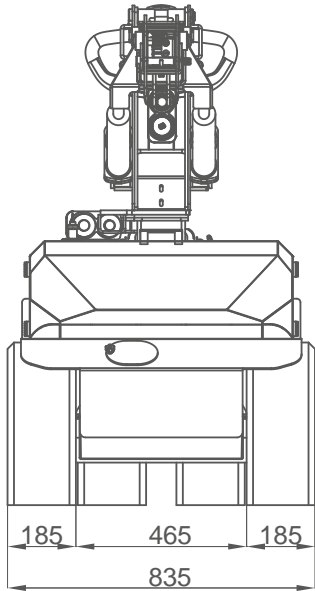


Technical Data

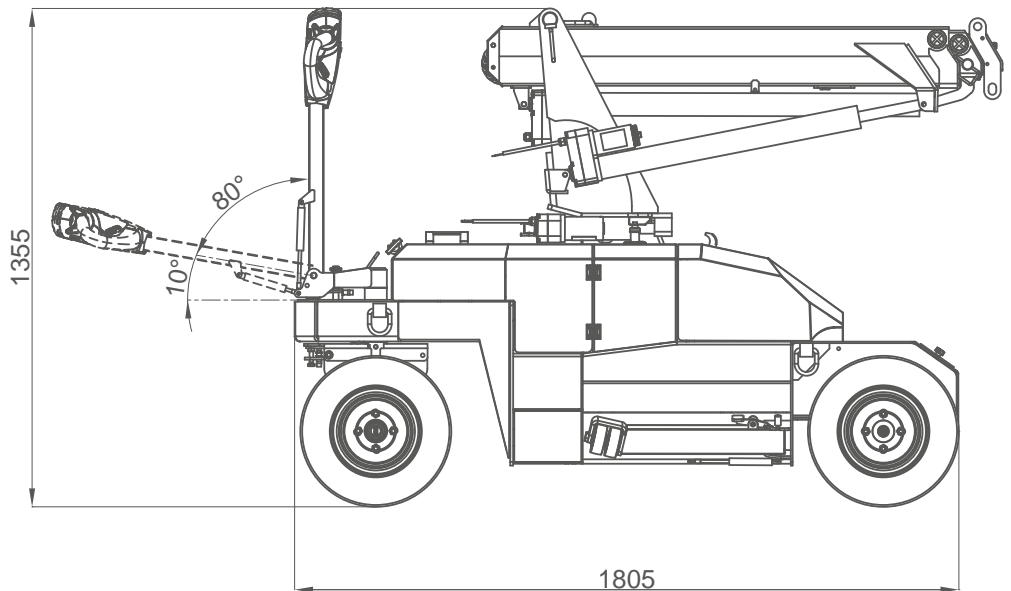
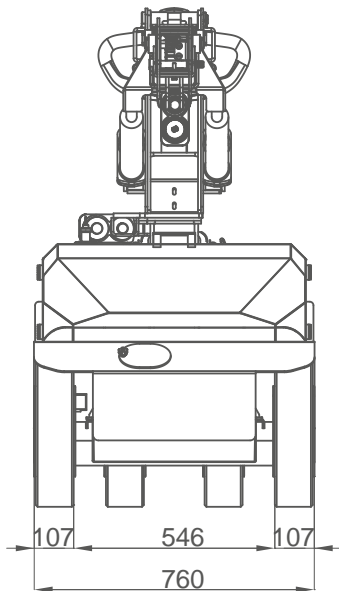
Specification & Capacities

MPK06

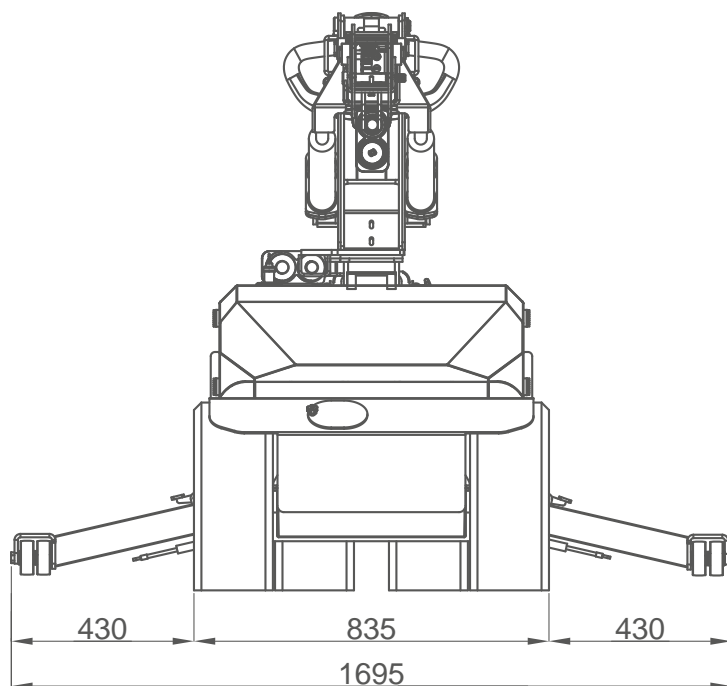
OVERALL DIMENSIONS MPK06 OUTDOOR WHEELS



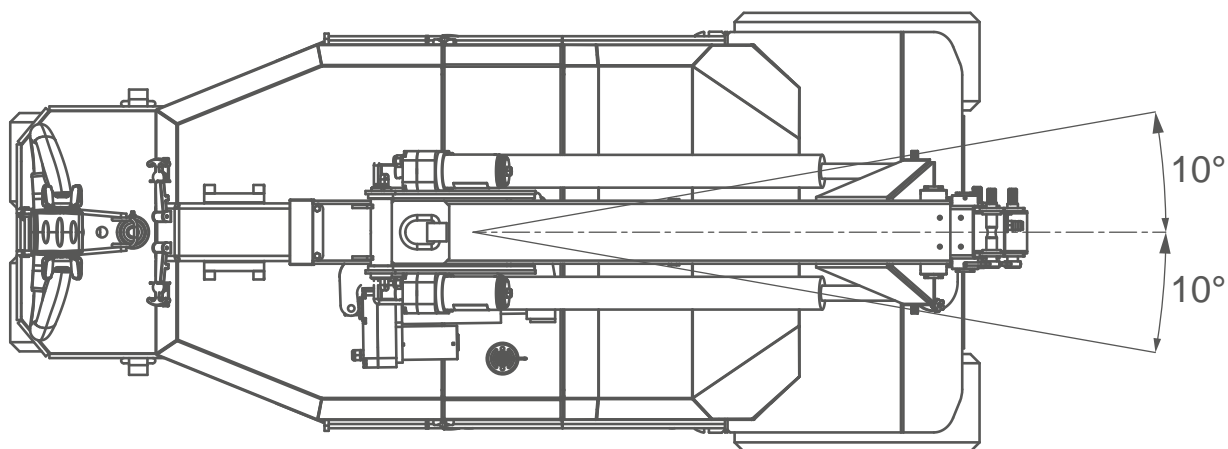
INDOOR WHEELS






OVERALL DIMENSIONS
MPK06
OUTRIGGER ON SIDE











BOOM SWING



OVERALL INFORMATION

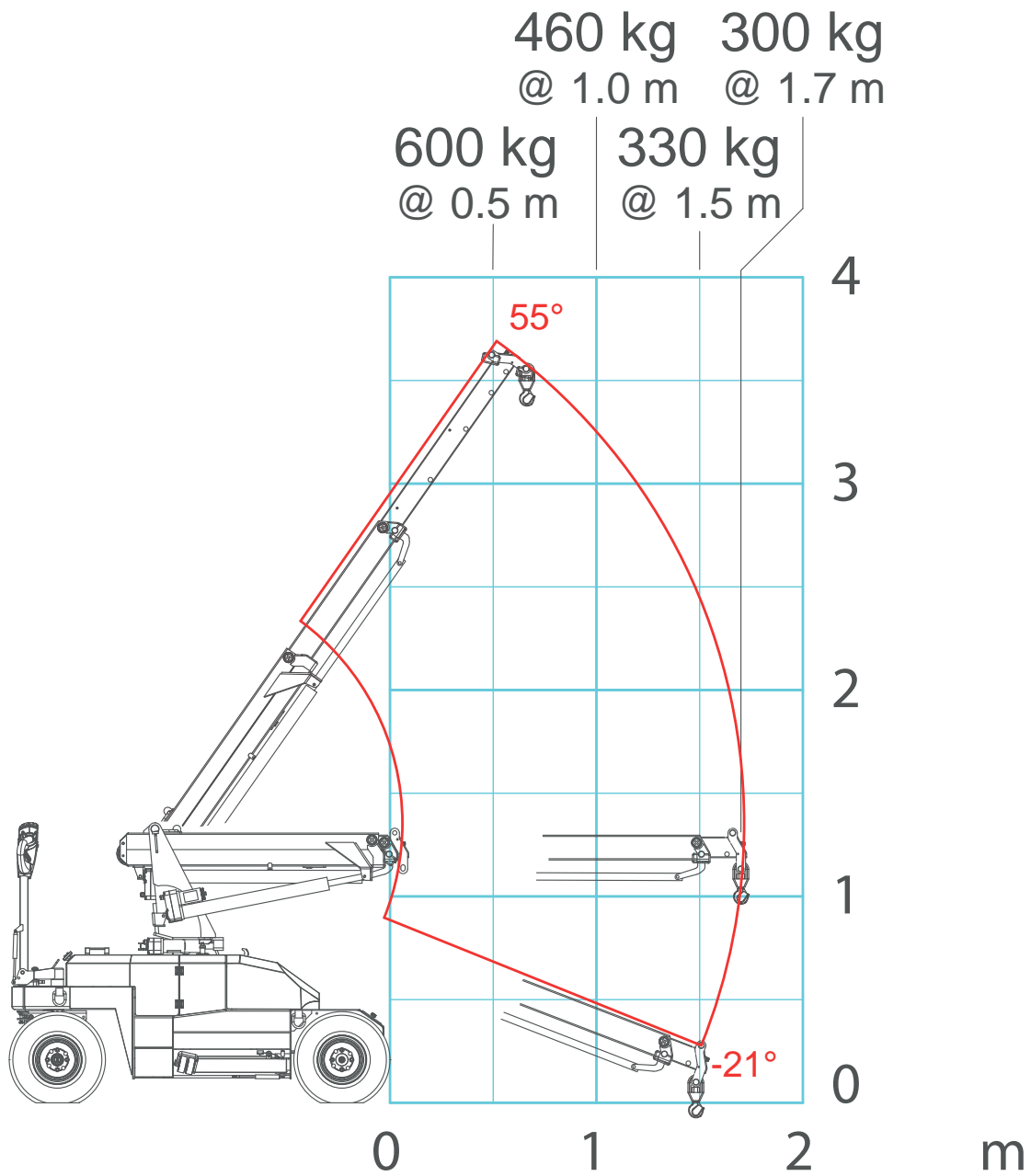
		Name/ version	kg
WEIGHTS	 Minipicker	MPK06	650
	 Counterweight	CW1	270
	 Glass Manipulator	JVM06	70

ELECTRIC	 Battery	2x 12V 155Ah		
	kW Power	24V DC 3,0kW 4HP		
MOVEMENTS	 Travel Speed	km/h	3,6	
	 Gradeability*	13° (23%)		
	 Back Wheel Load	kg/cm ²	0,6	
	 Front Wheel Load		2,0	
	 Working Angle	-21° / 55°		
		s	40	
	 Slewing	-10° / 10°		
s		1,6		
 Boom Telescoping	m	1,2 - 2,8		
	s	37		

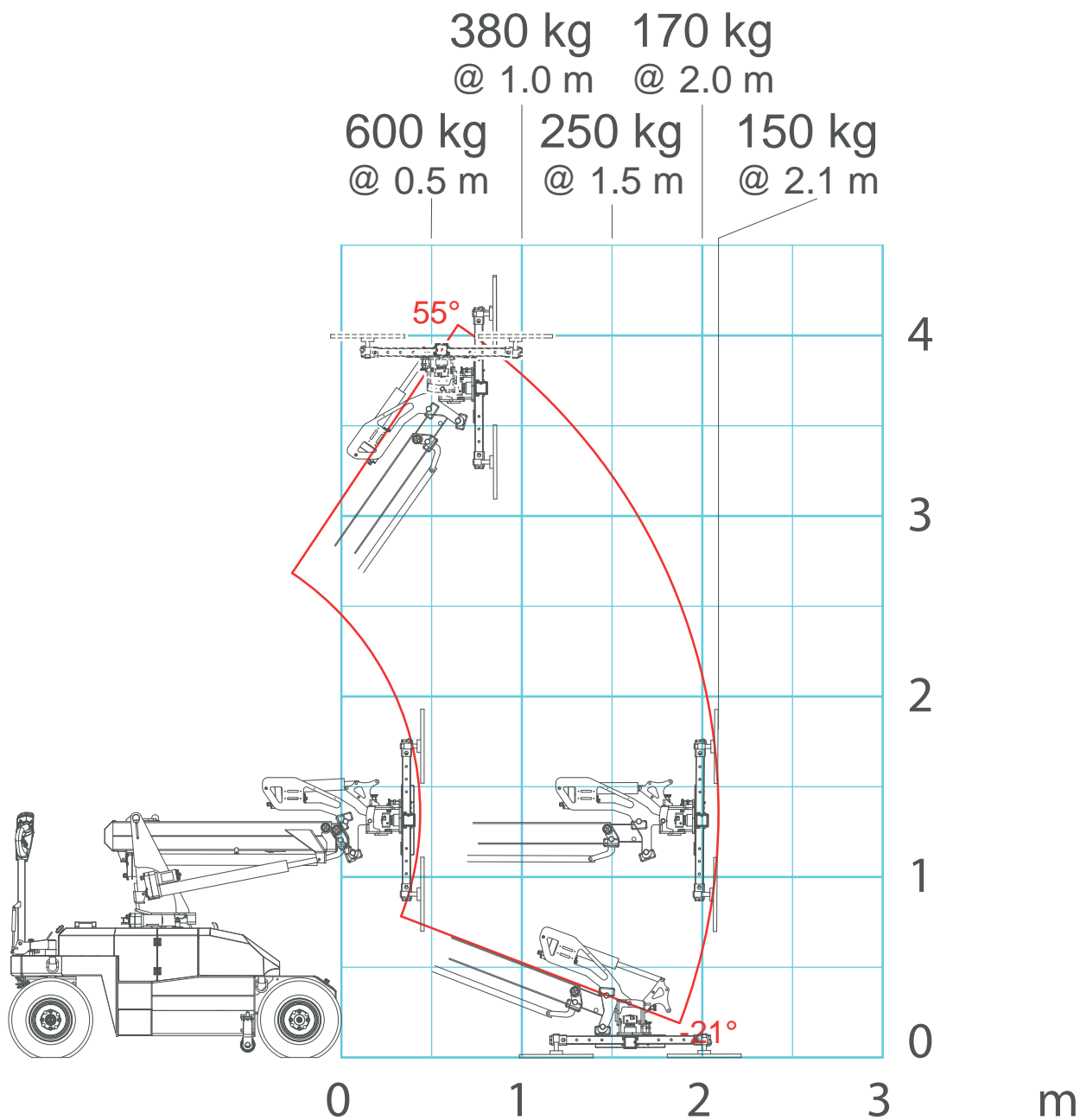
*: Max value only for short distance and a maximum of 30 seconds. Forward movement at maximum gradeability is intended with extended boom and without load

MPK06 - MAIN BOOM

with HOOK



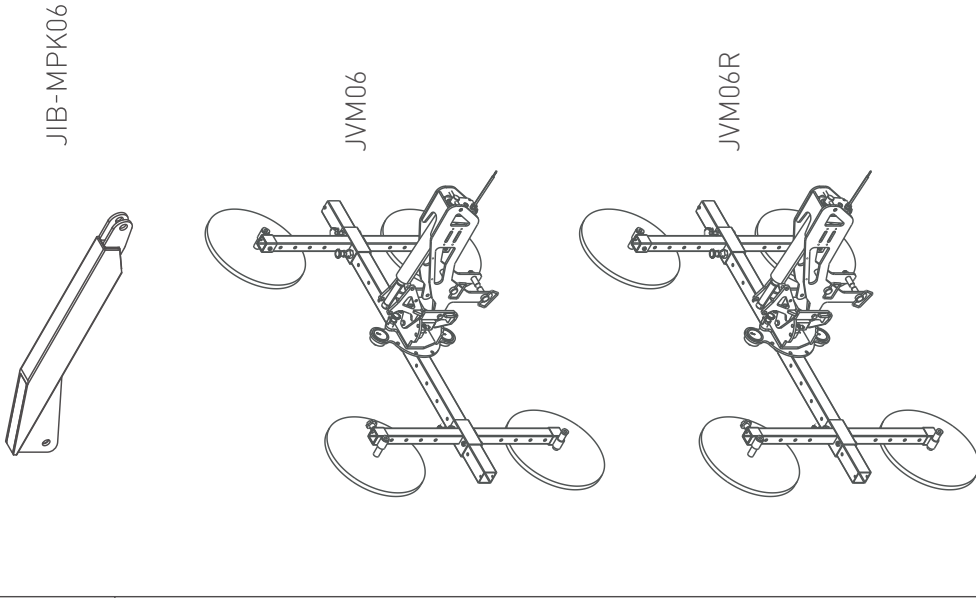
MPK06* - JVM06



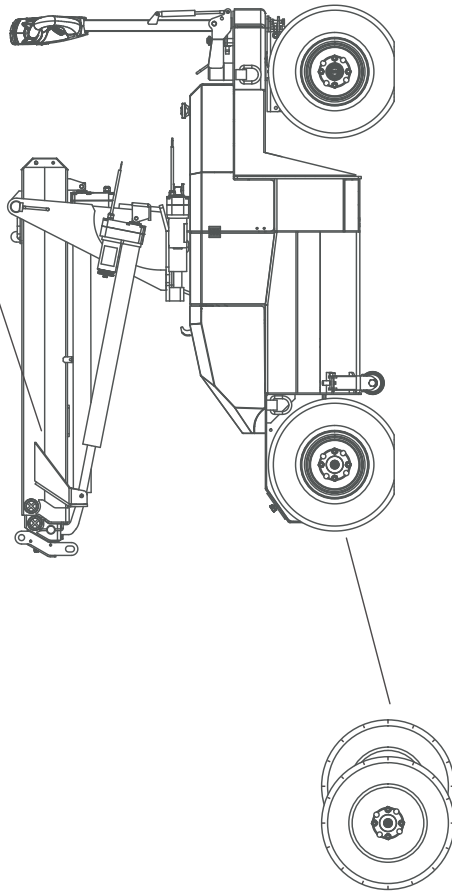
*: JVM can be equipped only on MPK06V

ACCESSORIES MPK06

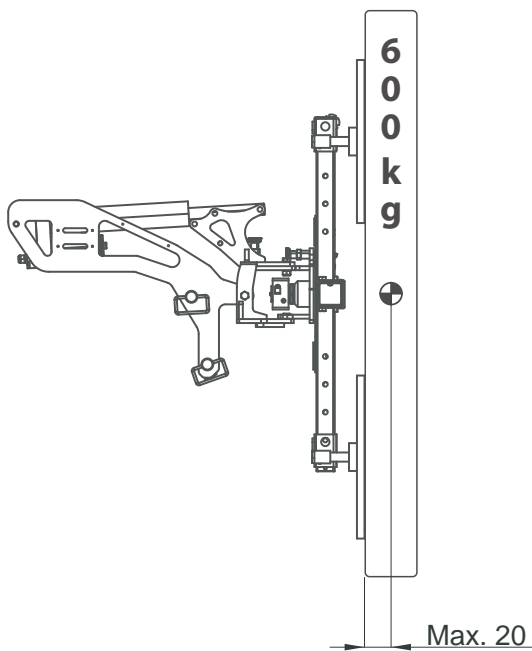
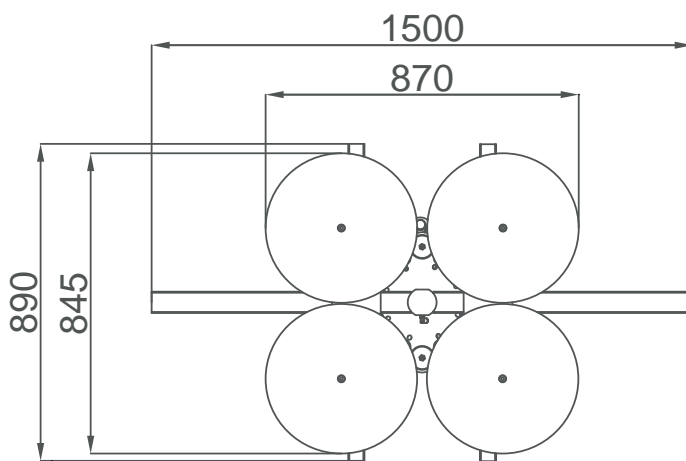
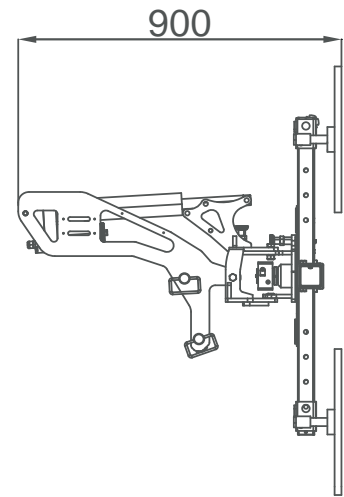
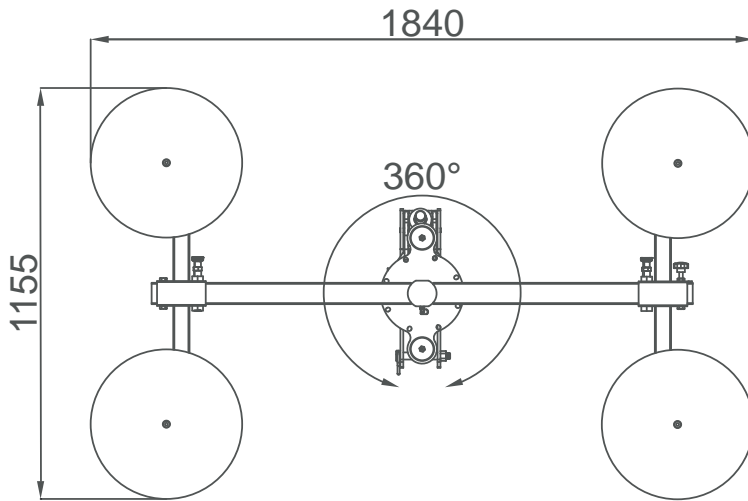
ATTACHMENTS & TOOLS



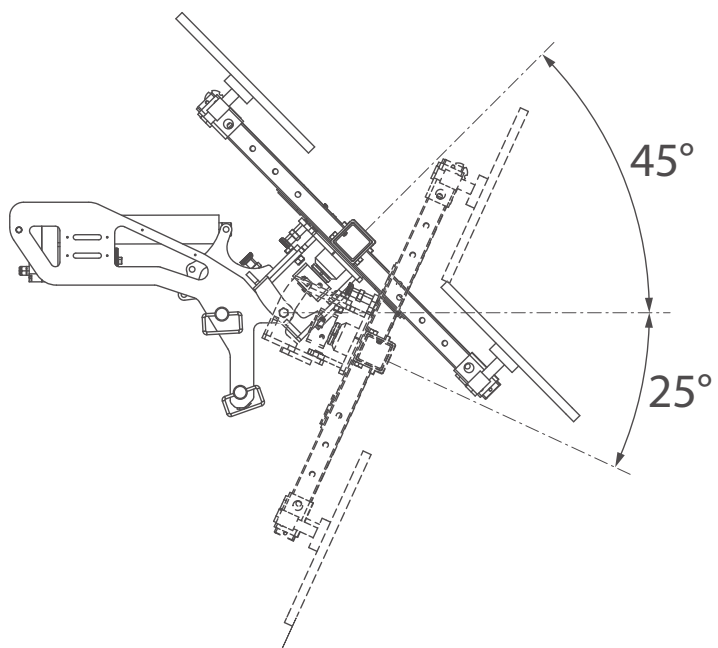
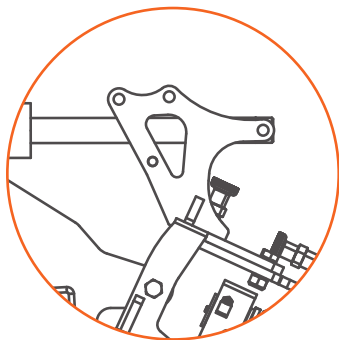
BATTERY CHARGERS



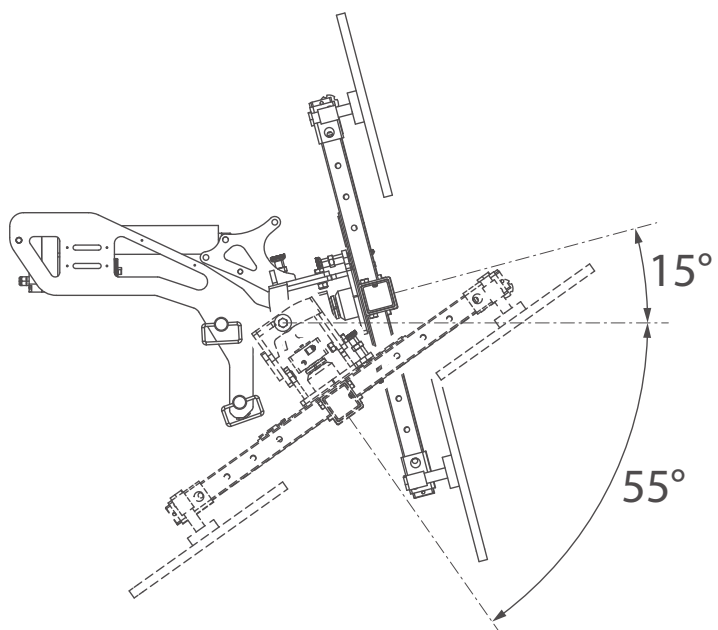
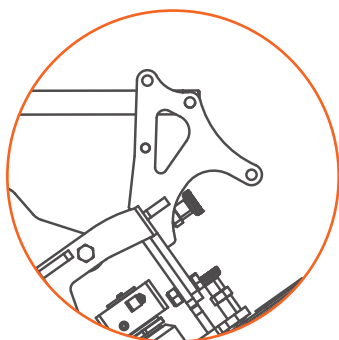
ACCESSORIES FEATURES JVM06



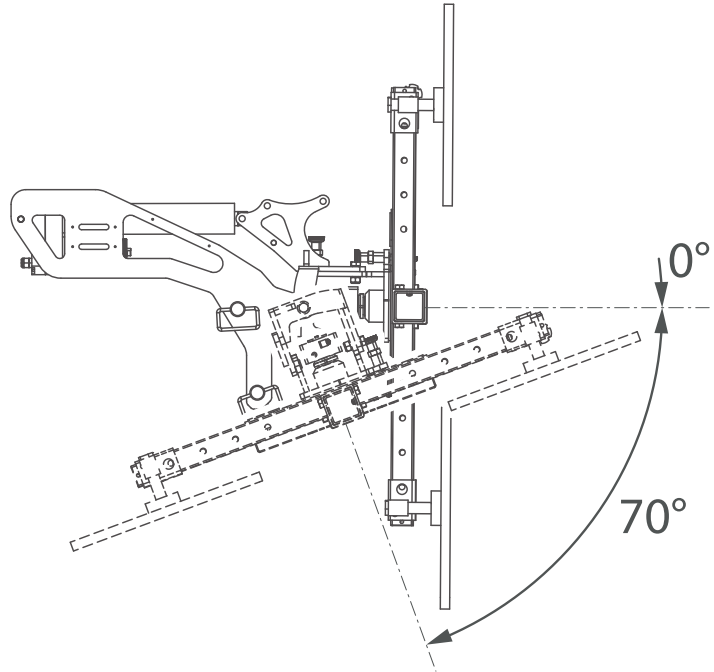
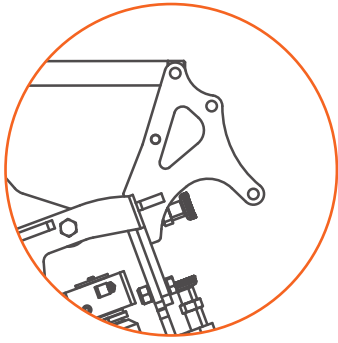
JVM06 CONFIGURATIONS CONFIGURATION 1



















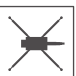





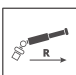


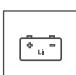
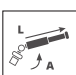



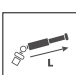



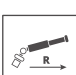

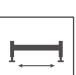

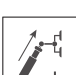







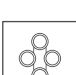





CONFIGURATION 2



JVM06 CONFIGURATIONS
CONFIGURATION 3



SYMBOLS

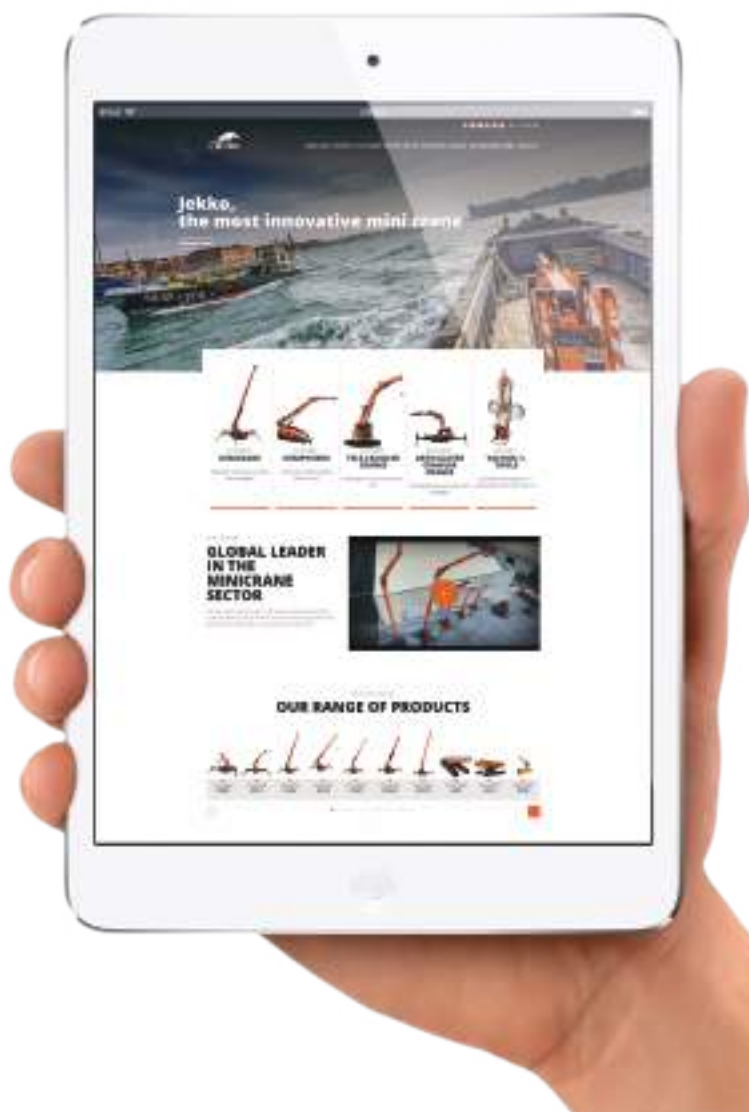
	Weight		Engine		Boom Angle		Minipicker
	Counterweight		Diesel Fuel		Boom Length		Back Wheel Loading Point
	Crane		Petrol Fuel		Boom Radius		Front Wheel Loading Point
	Dimensions		Tank		Jib on Board		Working Radius
	Stabilization Area		Power		Without Jib on Board		Stabilizing Bar
	Travel Speed		Battery		Jib Hook Radius		Standard
	Gradeability		Lithium Battery		Jib Length and Angle		Factory max. load
	Outrigger Load		Powerpack		Jib Length		Building site max. load
	Track Loading		Main Winch		Jib Radius		Maximum inclination of the machinery
	Outriggers Setup		Hookblock		Manipulator Length		Hydraulic oil
	Ext Tracks Width		Slewing		Manipulator Radius		Winter Warm-up Kit
	Chart on Tracks		Slewing Locked		Number of vacuum pads		Horizontal Boom Angle
	Slope		Outriggers mats		Grabber		White Pads for Steel Tracks

REMARKS REFERRING TO LOAD CHART

- The load charts are calculated according to EN 13000.
- For the calculation of the load charts at least a wind speed of 9m/s (33km/h) and regarding the load a sail area of 1m² per ton load and a wind resistance coefficient of 1.2 on the load have been taken into account. For lifting of loads with large sail areas and/or high wind resistance coefficients the maximum wind speed as stated in the load charts has to be reduced.
- Lifting capacities are given in kilograms.
- The weight of the hook blocks and hooks is part of the load and therefore it must be deducted from the lifting capacities.
- Working radii are measured from the slewing centre.
- The lifting capacities given for the telescopic boom apply if the folding jib is removed.
- Subject to modification of lifting capacities.

YOUR JEKKO DEALER

EN All specifications and features herein described can be changed without prior advice. All indicated data are indicative only and are not binding as crane performs differently depending on its use. **IT** Tutte le caratteristiche e le specifiche descritte possono essere soggette a variazioni senza preavviso. Tutti i dati riportati sono forniti a puro titolo informativo e non sono impegnativi dal momento che le prestazioni della macchina variano in funzione dell'utilizzo. **DE** Unangekündigte Änderungen sämtlicher Eigenschaften und Daten sind möglich. Alle Angaben sind Richtwerte und nicht verbindlich da die Leistungen der Vorrichtung von deren Einsatz abhängen. **ES** Todas las características y las especificaciones aquí indicadas pueden ser sujetas a variaciones sin aviso. Se dan todos los datos aquí indicados como simples informaciones. No se consideran como vinculantes, dado que las prestaciones del maquinario pueden variar. **FR** Toutes les caractéristiques et le spécifications descriptives peut être sujet à variation sans préavis. Tout les données rapportés sont fourni à titre informatif et ne sont pas engager au moment que la prestation de la machine change en fonction de l'emploi.



www.jekko-cranes.com

Visit jekko-cranes.com to keep in contact with us, discover all the latest news and find out technical details of all our products.



Jekko s.r.l.

Via Campardone, 1 - 31014 Colle Umberto (TV) - Italy
info@jekko.it - www.jekko-cranes.com

SERIAL NUMBER:



10.10.2019 | Rev.0