



KNEGT[®]

QUALITY TRACTORS EUROPE

OPERATION MANUAL

KNEGT 304G2



304G2 TRACTOR
OPERATION MANUAL

Please Read and Save This Manual

KNEGT QUALITY TRACTORS EUROPE

2018.09

FOREWORD


These series model 304G2 of KNEGT Brand is a series newly developed product of KNEGT BV. It is powered with the three-cylinder diesel engines that have the features of ample output, less vibration and low noise as well.

Model 304G2 tractors are of dual-function type for using in both paddy and dry fields. The designers have cogitated on some components, which can be selected for assembling in order to meet users' various needs.

In order to fit in with the international market, some components for perfecting the tractor have been designed and developed, such as the hydraulic power steering, two-speed PTO and so on. All of these have improved the performance of the tractor greatly.

These tractors have the advantages of economic fuel consumption, easy operation, harmonious appearance, compact construction and easy maintenance. This tractor series is only used for conventional agriculture and domestic purposes and similar operations, with the suitable agricultural machinery, for other operating contrary to the intended use of the tractor, such as **shall not be used for front-end loader and forestry application and spraying**. This tractor can only be operated by the personnel who is familiar with tractor's characteristics and have the knowledge of relevant safe manipulation, the same for maintenance and repair. This tractor can not be operated by children and agedness and other personnel who is not to conformity with the provisions.

Read the Operation Manual carefully before starting, using, maintaining, refueling or making other service interventions on the tractor. Comply strictly with the safety regulation and follow the suggested precautions in order to safeguard yourselves. If you are unsure about anything, ask your East Wind dealer or employer. Do not guess, others and you could be killed or seriously injured.

Many warning sign alerts such as ‘’ on the tractor and operation manual. This warning sign alerts you about important messages involving your safety. Read these safety rules attentively and strictly follow suggested precautions to avoid any potential danger and ensure your health and personal safety.

In order to meet users' needs continuously, this tractor is subject to improvement without notice. It may happen to the fact that there are some differences between the manual/illustrated parts catalogue and the structure of the real tractors. So the dealers or users are requested to provide PIN number and manufacturing date of the tractor while placing order for spare parts.

Thank you for purchasing the **Knegt** Brand Tractor and cordially welcome your advice, suggestions and comments on our product so that we can make improvements timely in future.

Knegt BV

September 2018

CONTENT

| | |
|--|-----------|
| FOREWORD | 1 |
| CONTENT | 3 |
| Chapter 1 Safety Precautions..... | 5 |
| 1.1 Safety Instructions | 5 |
| 1.2 Safety symbols | 12 |
| 1.3 Measures for emergency | 16 |
| Chapter 2 Technical Specifications..... | 17 |
| 2.1 Tractor characteristic..... | 17 |
| 2.2 Identifying your machine | 17 |
| 2.3 Technical specification of the tractor | 19 |
| Chapter 3 Running-in of the tractor | 26 |
| 3.1 Preparation before Running-in of the tractor | 26 |
| 3.2 Running-in the engine without load..... | 26 |
| 3.3 Running in of hydraulic hitch system | 27 |
| 3.4 Running-in of hydraulic steering system | 27 |
| 3.5 Running in of PTO..... | 27 |
| 3.6 Running in of the Tractor | 28 |
| 3.7 Maintenance after running-in..... | 29 |
| Chapter 4 Operating tractor..... | 30 |
| 4.1 Instrument and Controls..... | 30 |
| 4.2 Driving the Tractor..... | 36 |
| 4.3 Using the Tractor implements..... | 47 |
| 4.4 The use of electrical systems | 54 |
| Chapter 5 Maintenance | 58 |
| 5.1 Oil and lubricants | 58 |
| 5.2 Periodic Service | 59 |
| 5.3 Transporting the Machine | 61 |
| 5.4 Storage | 63 |
| Chapter 6 Adjustment of the tractor | 65 |
| 6.1 Adjustment of the engine | 65 |
| 6.2 Adjustment of the clutch | 65 |

304G2 SERIES TRACTOR OPERATION MANUAL

| | |
|--|-----------|
| 6.3 Adjustment of the Brake..... | 67 |
| 6.4 Adjustment of the Rear Axles | 67 |
| 6.5 Adjustment of the Front Axle (4WD)..... | 69 |
| 6.6 Adjustment of the toe-in..... | 73 |
| 6.7 Adjustment of the wheel track | 73 |
| Chapter 7 Troubleshooting..... | 74 |
| 7.1 Clutch..... | 74 |
| 7.2 Gearbox..... | 75 |
| 7.3 Rear axle | 75 |
| 7.4 Braking system..... | 76 |
| 7.5 Front driven axle (4WD)..... | 76 |
| 7.6 Walking system | 77 |
| 7.7 Hydraulic steering system..... | 77 |
| 7.8 PTO | 78 |
| 7.9 Hydraulic Hitch System..... | 79 |
| 7.10 Electrical system | 80 |
| Chapter 8 Appendix..... | 82 |
| Appendix 1 Standards and Regulations | 82 |
| Appendix 2 Tightening Torque Table of Main Bolts and Nuts..... | 83 |
| Appendix 3 Scheme of the electric system | 84 |
| Appendix 4 List of damageable parts | 85 |
| Appendix 5 List of Attached Tools | 85 |
| Appendix 6 Mechanical couplings..... | 86 |
| Appendix 7 E-MARK certificate | 92 |
| Appendix 8 Optional Accessories | 98 |
| Appendix 9 Application Packing List..... | 98 |

Chapter 1 Safety Precautions

1.1 Safety Instructions

1.1.1 Safety first

The respect of the rules for tractor use, maintenance and repair given in this manual is an essential element for the correct use of the tractors as envisioned by the manufacturer.

Carefully read all safety messages in this manual and on your machine safety signs. Replace missing or damaged safety signs. Be sure new equipment components and repair parts include the current safety signs. Replacement safety signs are available from your Knegt dealer.



Learn how to operate the machine and how to use controls properly. Do not let anyone operate without instruction.

Keep your machine in proper working condition. Unauthorized modifications to the machine may impair the function and safety and affect service life of machine.

Lightning and high voltage cable can kill you. Do not use the machine if there is lightning in your area or under high voltage cable.

Handle fuel carefully, it is highly flammable. Do not refuel the machine while smoking or when near open flame or sparks.

Always stop the engine before refueling machine. Fill fuel tank outdoors.

Prevent fires by keeping machine clean of accumulated trash, grease, debris. Always clean up spilled fuel.

Please remember that you will undertake the personal responsibility for any associated consequences with the improper use of these tractors. All the time you are working with or on the machine, take care and stay alert. Always be careful. Always be alert for hazards.

It is extremely dangerous to operate machinery when under the influence of alcohol or drugs. Do not drink excessively or take drugs before or while operating the machine or attachments. Be aware of medicines which can cause drowsiness.

304G2 SERIES TRACTOR OPERATION MANUAL

Do not attempt to operate the machine if you are feeling unwell. By doing so you could be a danger to yourself and those you work with.

You can reduce the risk of damage to the machine or your body by following the instructions in this manual.

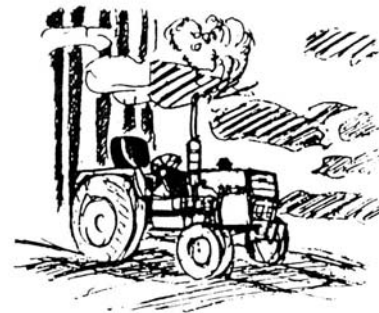
If you do not understand any parts of this manual and need assistance, contact your Knecht dealer.

This machine is manufactured in compliance with legislative and other requirements. It should not be altered in any way which could affect or invalidate any of these requirements. For advice consult your Knecht Distributor.

Use only the Knecht approved attachments that are specified for your machine. Operating with nonspecified attachments can overload the machine, causing possible damage and machine instability which could result in injury to yourself or others. The use of non-approved attachments could invalidate your warranty.

1.1.2 Start the tractor

1. Keep all guards and shields in the right place.
2. Make sure that everyone be away from the machine, attached implements, and work area before starting engine or operation.
3. Start engine only from seat with shuttle control in Neutral.
4. Front drive lever should be neutral and PTO switch must be disengaged before starting the engine.
5. Make sure all implements are fully lowered down to the ground before starting the engine.
6. Don't start engine by shorting across starter terminals. Otherwise it may cause injury or even death to you.



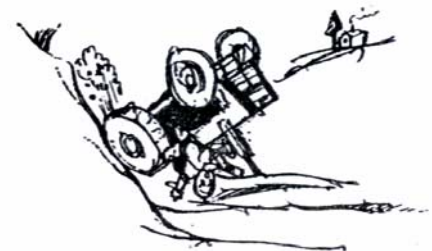
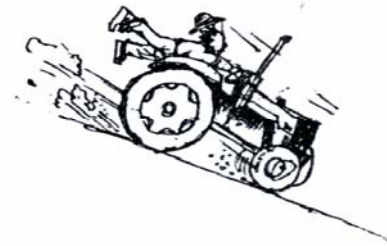
1.1.3 Operating the tractor safely

1. Select the track width setting best suited for work, always keeping tractor stability

304G2 SERIES TRACTOR OPERATION MANUAL

in mind.

2. Engage clutch gradually. Abrupt engagements, particularly if pulling out of a low area, a ditch or muddy grounds, or driving over a steep gradient, may cause dangerous tractor pitching. Immediately disengage the clutch if the front wheels tend to come off the ground.
3. When coasting downhill, keep the transmission gear engaged. Never disengage the clutch and never drive your tractor in neutral.
4. When tractor is in motion, the operator should be correctly seated in the driver's seat.
5. Do not get on or off a moving tractor.
6. Keep all children and nonessential personnel off tractors and all equipment.
7. Always press the brake pedal gently.
8. Reduce speed when turning, applying individual brakes, or operating around hazard on rough ground or steep slopes.
9. Always operate the tractor at a safe speed for the type of ground being worked. When operating on rough ground, use proper caution to assure tractor stability.
10. When working on sloping grounds (i.e. hillsides) drive at moderate speed, particularly when steering.
11. Always try to go straight up or straight down a slope, never at an angle.
12. Proceed with extreme caution when driving with wheels close to the edge of a ditch or bank.
13. Never ride on a tractor unless seated on a



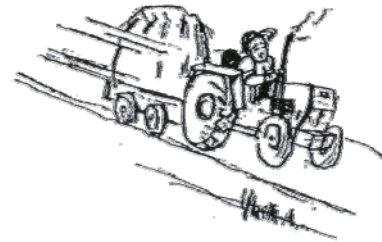
304G2 SERIES TRACTOR OPERATION MANUAL

Knegt approved seat with seat belt.

14. When driving on public roads, be sure to respect traffic rules and regulations.
15. Do not rest your feet on the brake and the clutch pedals.
16. When driving on roads latch the brake pedals together by using the latch plate, braking with the pedals unlatched may cause side skidding of the tractor. Try to avoid overworking the brakes.

1.1.4 Towing loads

1. To assure tractor stability while working, correctly adjust the towing attachments (depending on the towed trailer or drawn implement).
2. Be careful when towing and stopping heavy loads. Stopping distance increase with speed and weight of towed loads, and on slopes. Towed loads with or without brakes that are too heavy for the tractors or are towed too fast can cause loss of control.
3. For your personal safety, trailers should not be towed unless equipped with an independent braking system.
4. Always use drawbar and towing equipment to pull heavy loads. Never hook or connect towed equipment to the 3-point hitch lower links or to the top link because pitching danger exists.
5. When towing never attempt to make a turn with a locked differential, because you may not be able to steer the tractor.



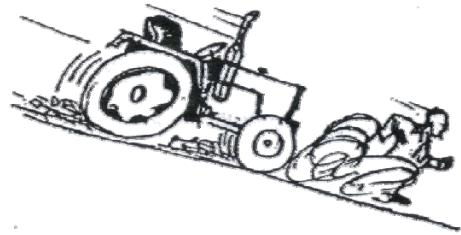
1.1.5 Using Agricultural Implements and Machines

1. Do not connect implements or machinery requiring a higher power rating than your tractor class.
2. Do not negotiate sharp turns with the PTO under heavy load; this will avoid damaging the universal joints of the PTO (power take-off) propeller shaft.
3. When connecting the implement to the tractor never stand between the two, while



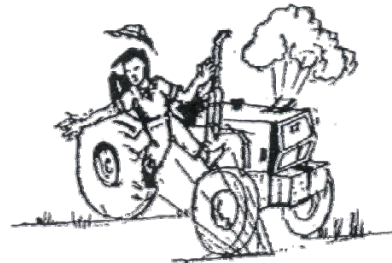
the tractor is being backed up.

4. Never activate the power take-off (PTO) when it is connected to a moving implement, without previously making sure that no one is within operating range of this implement.
5. You can be injured if you use faulty lifting equipment. Make sure that lifting equipment is in good condition. Make sure that lifting tackle complies with all local regulations and is suitable for the job. Make sure that lifting equipment is strong enough for the job. Raised equipment can fall and injure you. Do not walk or work under raised equipment unless safely supported.
6. No standing on the 3-point hitch or the shield. It may cause accident.



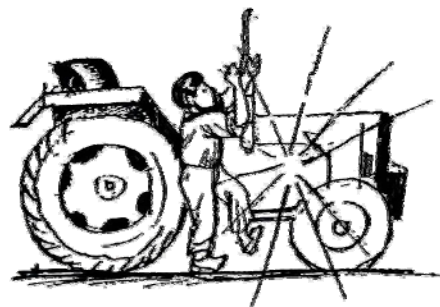
1.1.6 Parking and leaving the tractor

1. Before dismounting, disengage PTO, move transmission control lever to neutral, stop engine, lower implements or attachments to ground and securely engage the park brake. In addition, if the tractor is left unattended, remove key.
2. When parking look for level grounds if any, shift into gear and lock the park brake. On sloping grounds in addition to locking the park brake, shift into first forward gear if uphill or into first reverse gear if downhill. For greater safety also use the specific stopping wedge (available on request); be sure to do so if parking your tractor with a trailer.



1.1.7 Tractor Maintenance

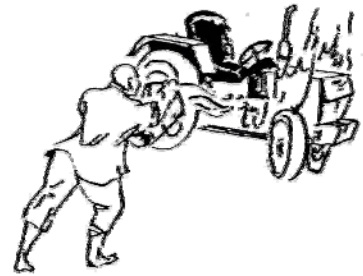
1. Allow engine to cool off sufficiently before removing the radiator cap. With the engine shut-off, slowly turn the cap and release pressure before removing it completely.
2. Disconnect the storage battery ground cable before starting to work on any of the electrical system's



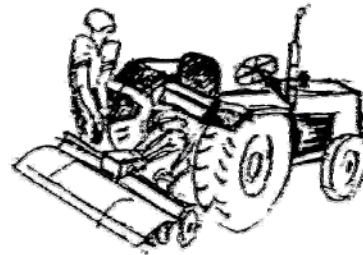
304G2 SERIES TRACTOR OPERATION MANUAL

parts or components.

3. Before disconnecting any hydraulic line or hose, make sure the system is pressure-free.
4. Hydraulic oil escaping under pressure can cause serious personal injury. When searching for or detecting oil leaks, make sure to use adequate safety protection such as shields, goggles and gloves.
5. Prior to inspection, cleaning, adjustment or maintenance of the tractor or any mounted or connected implement, always make sure that engine is shut off. Also make sure the transmission is in neutral, the brakes are locked, the power take-off (PTO) is disengaged and all other moving parts are stationary.

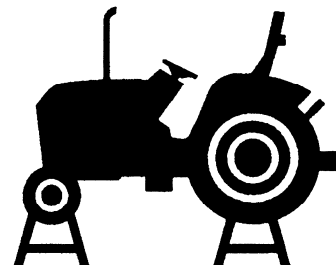


6. Do not fill fuel tank completely when expecting to work in full sunlight because the fuel might expand and escape. In such case, promptly wipe off any fuel that has escaped.



7. Tractor fuel may be dangerous. Never refuel while engine is running, is still hot, or you are near an open flame or when someone is smoking.

8. Do not service the tractor while it is in motion or while the engine is running. When servicing front-wheel-drive-equipped tractor with rear wheels supported off ground and rotating wheels by engine power, always support front wheels in a similar manner. Engaging front-wheel drive will pull rear wheels off support if front wheels are not raised. Tighten wheel hardware to correct torque as specified in Wheels, Tires and Tread section. Torque at intervals shown in Break-In Period and Lubrication and Maintenance sections, to ensure that wheel hardware does not loosen. Reinstall protective covers removed during service.



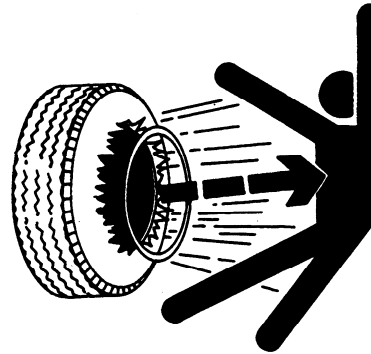
9. Do not work on tires unless suitable tools are available and you have the training

304G2 SERIES TRACTOR OPERATION MANUAL

and experience for tire repair. Any incorrect tire installation may seriously threaten your personal safety. If any doubt exists, have work done by qualified persons.

Explosive separation of a tire and rim parts can cause serious injury or death.

Always maintain the correct tire pressure. Do not inflate the tires above the recommended pressure. Never weld or heat a wheel and tire assembly. The heat can cause an increase in air pressure resulting in a tire explosion.

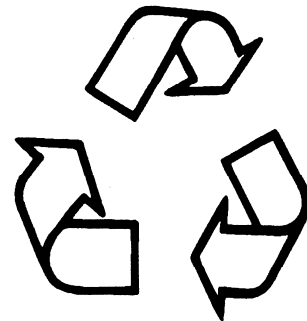


Welding can structurally weaken or deform the wheel.

When inflating tires, use a clip—on chuck and extension hose long enough to allow you to stand to one side and NOT in front of or over the tire assembly. Use a safety cage if available.

Check wheels for low pressure, cuts, bubbles, damaged rims or missing lug bolts and nuts.

10. Improperly disposing of waste can threaten the environment and ecology. Potentially harmful waste used with equipment include such items as oil, fuel, coolant, brake fluid, filters, and batteries.



Use leak proof containers when draining fluids.







Do not use food or beverage containers that may mislead someone into drinking from them.

Do not pour waste onto the ground, down a drain, or into any water source.








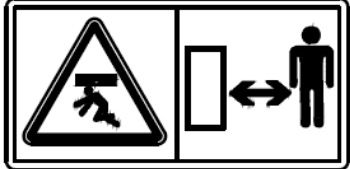

Air conditioning refrigerants escaping into the air can damage the Earth's atmosphere. Government regulations may require a certified air conditioning service center to recover and recycle used air conditioning refrigerants.

Inquire on the proper way to recycle or dispose of waste from your local environmental or recycling center, or from your East Wind dealer.









1.2 Safety symbols

| No. | Safety symbol | Meaning | Position |
|-----|---|--|---|
| 1 |  | Keep away from rotating components when the mechine is working. | On the right side of the radiator |
| 2 |  | Don't touch the hot surface until it's cool enough, otherwise you may be damaged. | On the right side of the radiator, near the muffler |
| 3 |  | Keep away from radiator. There may be hot fluids or steam | Above the radiator |
| 4 |  | If you want to operate Please Read the operators handbook. | On the PTO shield |
| 5 |  | Don't jump out of the tractor when it turns over, it may cause worse result. Keep the ROPS in the fully extended and locked position. | On the left side of Safety Frame |
| 6 |  | Please fasten your seat belt. | Above the Panel |

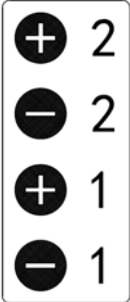
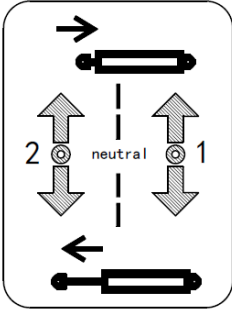
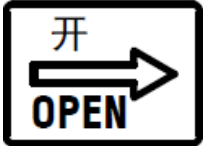





304G2 SERIES TRACTOR OPERATION MANUAL

| | | | |
|----|---|---|--|
| 7 |  | <p>Don't add fuel, do maintenance and so on when the tractor is running.</p> | <p>On the right windshield</p> |
| 8 |  | <p>Power take-off actuator and/or rotational-speed selector position: disengaged</p> | <p>Beside the PTO operating lever, on the fender</p> |
| 9 |  | <p>Power take-off actuator and/or rotational-speed selector position: 540rpm</p> | |
| 10 |  | <p>Power take-off actuator and/or rotational-speed selector position: 1000rpm</p> | |
| 11 |  | <p>Only ride on the operator's seat. Or it may cause serious accident.</p> | <p>on the right fender</p> |
| 12 |  | <p>Lifting mechanism control: raised position.</p> | <p>on the fenders</p> |
| 13 |  | <p>Lifting mechanism control: lowered position.</p> | <p>on the fenders</p> |
| 14 |  | <p>Be clear of the machine when it's lifting implements or heavies. It may cause accidents.</p> | <p>On outside surface of the squab panel</p> |
| 15 |  | <p>Parking brake control, Stopping and parking the machine.</p> | <p>Beside the Handle brake control lever, on the squab panel</p> |

304G2 SERIES TRACTOR OPERATION MANUAL

| | | | |
|----|---|---|---|
| 16 |  | <p>No standing on the 3-point hitch or the shield. It may cause accident.</p> | <p>On the outside surface of the squab panel</p> |
| 17 |  | <p>When you see this symbols, you should read Operators handbook.</p> | <p>On the Panel</p> |
| 18 |  | <p>Checking and adjusting the fluid level.</p> | <p>Near the oil filler</p> |
| 19 |  | <p>Do not use the differential lock at high speed or on the road.</p> | <p>Beside the differential pedal, on the outside surface of the squab panel</p> |
| 20 |  | <p>Filling the tank.</p> | <p>On fuel tank cap</p> |
| 21 |  | <p>Do not trample.</p> | <p>Above the battery</p> |
| 22 |  | <p>Disconnect the battery before working on the machine.</p> | <p>Above the battery</p> |
| 23 |  | <p>Freeing a Mired Machine.</p> | <p>On the right outside surface of Safety Frame</p> |

304G2 SERIES TRACTOR OPERATION MANUAL

| | | | |
|----|---|---|--|
| 24 |  | Define of Remote hydraulic valve. | Above the Rear beam |
| 25 |  | Define of Remote hydraulic control valve. | Above the Rear board |
| 26 |  | Open the engine hood. | On the engine hood. |
| 27 |  | Mandatory sign of front drive. | On the Seat plate. |
| 28 |  | Mandatory sign of support point. | On the frame, or rear axle housing, or axle shaft housing. |
| 29 |  | Mandatory sign of lifting point. | On the assistant weight support, or axle shaft housing |
| 30 |  | Mandatory sign of engine oil. | On the engine. |
| 31 |  | Oil filler. | On the left side of Safety Frame. |

If you need symbols ,please give number to your East Wind dealer or employer.

1.3 Measures for emergency

1. When lost of steering control, slow down the tractor, engage the emergency brake, and then shut down the engine.
2. If the engine shut down when going up the slope, step down the brake pedals immediately, and engage the park brake to avoid slipping down along the slope. Ignite the engine after that, and shift to a proper gear, then go up the slope with smooth.
3. If the brake system fails, control the steering wheel, slow down the tractor or shift to lower gear, and running the tractor in neutral, then shut down the engine in safe place.
4. In following situations, the tractor can not be started up:
 - A. **When the brake system fails.**
 - B. **When the steering system can not be managed easily or the steering system is broken.**
 - C. **After reinstall the tractor by oneself, and there exist safety problems.**
 - D. **When you are unsure that you can control it.**
 - E. **When you are unsure that you and those around you will be safe.**

Chapter 2 Technical Specifications

2.1 Tractor characteristic

DF304G2 series tractor operator see table.

Table 2-1 Technical Specification

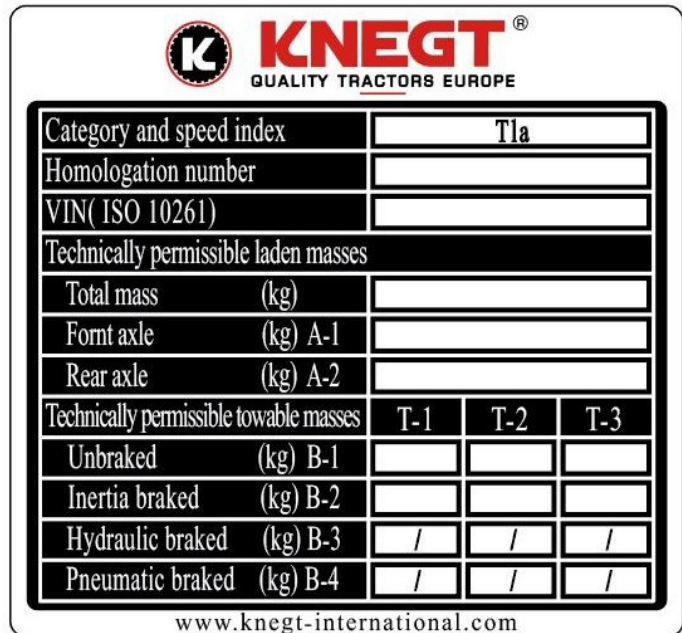
| Tractor Model | Type | Engine | | Type of hydraulic lift system | Control of clutch and brake | ROPS |
|---------------|------|------------------|-------------------|-------------------------------|-----------------------------|------|
| | | Rated Power (Kw) | Rated Speed (rmp) | | | |
| DF304G2 | 4WD | 22.1 | 2400 | independent | Hang | ROPS |

2.2 Identifying your machine

2.2.1 Machine Identification Plate

Your machine has an identification plate mounted on the front right hand side of the machine. Information contained on this plate includes Category and speed index, VIN, Technically permissible laden masses, Technically permissible towable masses, Manufacturer and Address.

The machine VIN and engine serial numbers can help identify exactly the type of equipment you have.



2.2.2 Component Identification Plates

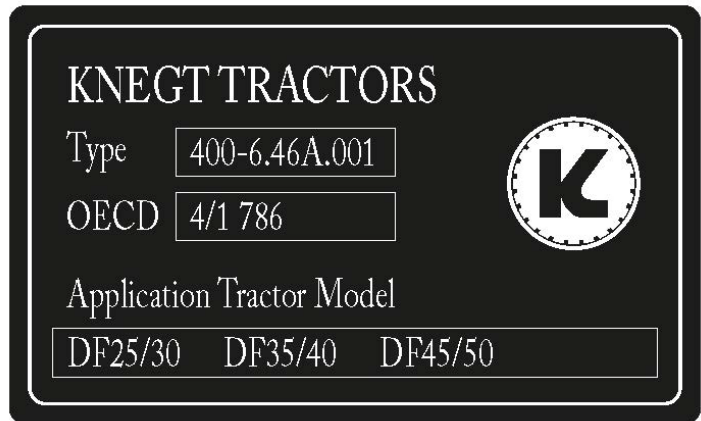
Engine Identification Plate Location

The engine identification plate is attached to the left hand side of the engine block. The information contained on this plate includes the engine model and serial number.



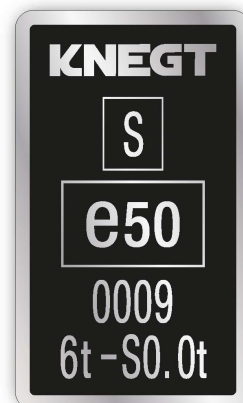
ROPS Certification Plate

Your machine is built to the ROPS standard and has an identification label is shown below. Label fitted to the ROPS or cab.



Tractor Drawbar Or Clevis type Certification Plate

The Tractor drawbar or Clevis type on your machine is built to a standard and has an identification label fitted to the top of the trailer hitch. A typical identification label is shown below.



2.3 Technical specification of the tractor

2.3.1 Tractor specification

| Tractor model | | | DF304G2 | |
|-------------------------------------|----------------|----------------|---|-------|
| Overall Dimensions (mm) | Overall Length | | 3389(front ballast to end of hitch lever) | |
| | Overall Width | | 1535 | |
| | Overall Height | To wheel | 1500 | |
| | | To ROPS | 2423 | |
| Tyre | Front | | 6.00-12 | |
| | Rear | | 11.2-20 | |
| Wheel track (mm) | Front | | 1100 | |
| | Rear | | 1250 | |
| Wheel base (mm) | | | 1732 | |
| Minimum ground clearance (mm) | | | 279 | |
| Steering radius (m) Without braking | | | 3.3 | |
| Construction mass (Kg) | | | 1520 | |
| Rated draft force (N) | | In paddy field | | 4950 |
| | | In dry field | | 6940 |
| Theoritic speed (km/hr) | Forward | Low | I | 1.34 |
| | | | II | 2.03 |
| | | | III | 3.25 |
| | | | IV | 4.71 |
| | | High | I | 6.96 |
| | | | II | 10.51 |
| | | | III | 16.87 |
| | | | IV | 24.41 |
| | Reverse | Low | I | 1.35 |
| | | | II | 2.04 |
| | | | III | 3.28 |
| | | | IV | 4.74 |

304G2 SERIES TRACTOR OPERATION MANUAL

| | | | | |
|---|---------|--------------|-------------|--------------|
| | High | I | 7.01 | |
| | | II | 10.59 | |
| | | III | 16.99 | |
| | | IV | 24.59 | |
| Unladen mass(es): (Kg) | | | | |
| Unladen mass(es) in running order: | | 1667 | | |
| Front axle | | 643 | | |
| Rear axle | | 1024 | | |
| Technically permissible laden masses (Kg) | | | | |
| Total mass | | 1899 | | |
| Front axle | | 7999 | | |
| Rear axle | | 1100 | | |
| Permissible laden masses by tyre | | | | |
| type | | Allowed load | speed | |
| Front axle | | 800 | 30km/h | |
| Rear axle | | 1850 | 30km/h | |
| Ballast masses (total weight, material, number of components) | | | | |
| Position | | Quantity | Unit weight | Total weight |
| Front | | 6 | 20kg | 120kg |
| Rear | | 4 | 28kg | 112kg |
| Distribution of this (these) mass(es) among the axles | | | | |
| Front | | 156kg | -36kg | |
| Rear | | 0 | 112kg | |
| Total | | 156kg | 76kg | |
| Technically permissible towable masses | | T-1 | T-2 | T-3 |
| Unbraked | | 600 | 600 | 600 |
| Inertia braked | Drawbar | 6000 | / | / |
| | Clevis | 1500 | 1500 | 1500 |
| Hydraulic braked | | / | / | / |
| Pneumatic braked | | / | / | / |

304G2 SERIES TRACTOR OPERATION MANUAL

2.3.2 Engine

| | | |
|--------------------------------|--------|---|
| Tractor Model | | DF304G2 |
| Engine Model | | ZN390TE |
| Type | | Four-stroke、 water cooled、 3 cylinder、 L-type、 direct injection |
| Number of cylinders | | 3 |
| Bore and stroke (mm) | | 90×95 |
| Total displacement (L) | | 1.813 |
| Compression | | 18 |
| Cylinder sleeve style | | wet |
| Rated power/speed (kW/rpm) | | 22.1/2400 |
| Rate fuel consumption (g/Kw.h) | | ≤275 |
| Maximum torque (N.m) | | ≥96.8 |
| Dry weight (kg) | | 195 |
| External dimension (mm) | Length | 587 |
| | Width | 492 |
| | Height | 650 |

2.3.3 Transmission

| | | |
|------------------------|--------------------|--|
| Tractor model | | DF304G2 |
| Clutch | | Linkage type, double-acting clutch |
| Transmission | | (4+1)×2 , planar 3-shaft for main transmission, epicyclic gearing for Hi-Lo speed range transmission |
| Main drive | | One pair of spiral bevel gears |
| Differential | | Bevel gear |
| Final transmission | | Spur gear, external gearing |
| Front drive axle | Main drive | Spiral bevel gears |
| | Differential | Obturation, four bevel planetary gears |
| | Final transmission | Planetary reduction gears |
| Transfer case | | Vertical,column gear with shift |

304G2 SERIES TRACTOR OPERATION MANUAL

2.3.4 Travelling and steering system

| | | |
|------------------------|-------------------------|------------------------------|
| Model | | DF304G2 |
| Front wheel drive axle | | Bevel gear drive axle |
| Front axle alignment | Front wheel toe-in (mm) | 5~10 |
| | Outward camber | 3.5° |
| | Kingpin caster | 0° |
| | King pin inclination | 7.5° |
| Tyre | Front | 6.00-12 |
| | Air pressure (Kpa) | 150~250 |
| | Rear | 11.2-20 |
| | Air pressure (Kpa) | 100~200 |
| Steering system | | Full Hydraulic steering gear |
| Brake | | Dry disk type |

2.3.5 Equipment

| | | |
|--|---------------------------------------|--------------------------------------|
| Tractor model | | DF304G2 |
| Hydraulic system | Pump type | CBN310 HLCB-D04-06 |
| | Plowing-depth control | Predetermined and simple adjusting |
| | Theoretic flow | 10ml/r 4ml/r hydraulic steering |
| | Response pressure of the safety valve | 14MPa |
| Three point hitch | | I type (GB/T1593.1-1996) |
| Max.lift(N) | | 4960(At 610mm behind the lift point) |
| Lift time(S) | | ≤3 |
| Diameter of the hole of up lift (mm) | | 19.5 |
| Diameter of the hole of down lift (mm) | | 22.5 |
| Tractor | Diameter of Pin(mm) | 30 |
| Drawbar | Groud clearance(mm) | 272/363 |

304G2 SERIES TRACTOR OPERATION MANUAL

| | | |
|----------------|-----------------------|--------------------------------------|
| Clevis type | Diameter of Pin(mm) | 40 |
| | Groud clearance(mm) | 370 |
| PTO shaft | Type | Linkage |
| | Rotating Speed(r/min) | 540、1000 |
| | Spline dimension | 6-teeth ϕ 35 rectangular spline |
| | Direction of rotation | Clockwise(face forward) |

2.3.6 Electricity and instrument panel

| | | |
|--------------------------------|------------------------------------|------------|
| Tractor model | DF304G2 | |
| Electric circuit | 12V single phase & negative ground | |
| Battery | 6-QW-80L | |
| Starter | QDJ1508 | |
| Generator | JF15A-P90 | |
| Instrument panel | 504G3-E.48A.021 | |
| Switch Plate | JK938A | |
| Key Switch | JK324 | |
| Combination switch | 304G2-6.48.103 | |
| Battery switch | DHKG904 | |
| Safety switch for transmission | KT205 | |
| Brake switch | JK213B | |
| Horn | DL-124D | |
| Fuse | 504G3.48.025 | |
| Eectrical choke | GS-1 | |
| Flashing | SG152 | |
| railer electrical outlet | 12N | |
| Headlamp | H1 12V 55W White | |
| Front signal lamp | Position lamp | 4W white |
| | Direction-indicator lamp | 21W yellow |
| Rear combination lamp | Stop lamp | 21W red |
| | Position lamp | 5W red |

304G2 SERIES TRACTOR OPERATION MANUAL

| | | |
|-----------|--------------------------|-----------|
| | Direction-indicator lamp | 21W amber |
| Work lamp | H3 12V 55W White | |

2.3.7 Capacities

| | |
|------------------------------------|---------|
| Model | DF304G2 |
| Fuel tank(L) | 24 |
| Engine coolant(L) | 8 |
| Engine crankcase(L) | 4.5 |
| Transmission and rear axle case(L) | 20 |
| Front axle case(L) | 6 |
| Steering tank | 2.1 |

2.3.8 Farm implements to be attached

| Name | Specification |
|--------------------------------|---|
| Trailer | Rated loading capacity: 2 tons |
| Rotary tiller | Tilling width: 1.25~1.5 m |
| Light duty three-furrow plow | Width of plowing : 60 cm; Plowing depth: 16~18 cm |
| Deep tillage double-plow | Width of plowing : 60 cm; Plowing depth: 18~30 cm |
| PTO driven rotary spike harrow | Harrowing width: 1.4 m |
| Straw cutter | Width of cutting: 1.0 m |
| Light harrow | Width of harrowing: 1.5 m |
| Wheat seeder | Sowing width: 1.8~2.25 m |

2.3.9 Noise

In accordance with Regulation (EU) 2015/96 ANNEX III External sound emission requirements and Regulation (EU) No 1322/2014 ANNEX X III Requirements applying to the driver's exposure to noise level

| | DF304G2 | Max. permissible value in Directive |
|-----------------------------|------------|-------------------------------------|
| SOUND LEVEL (EXTERNAL)环境噪声 | 82.8 dB(A) | 89 dB(A) |
| SOUND LEVELS (INTERNAL)耳旁噪声 | 85.2 dB(A) | 86 dB(A) |

2.3.10 Vibration

In accordance with Regulation (EU) No 1322/2014 ANNEX X IV Requirements applying to the driving seat

4.4.1 The arithmetic mean of the rms values of the weighted seat vibration acceleration $(aw_S) \leq 1.25 \text{ m/sec}^2$.

| Class | I |
|--------------|------|
| Light driver | 0.60 |
| Heavy driver | 1.15 |

4.4.2 Ratio of the arithmetic mean of the rms values of the weighted vibration acceleration measured on the seat (aw_S) to the arithmetic mean of the rms values of the weighted vibration acceleration measured at the seat attachment (aw_B)

$aw_S/aw_B \leq 2$

| Class | I |
|--------------|-------|
| Light driver | 0.996 |
| Heavy driver | 1.070 |

Chapter 3 Running-in of the tractor

In order to prolong the service life of tractors, it is essential to break-in a new tractor or the engine after a major overhaul, before putting it into service. Breaking-in improves all of the fittings and contact surfaces in order to avoid premature failures.

3.1 Preparation before Running-in of the tractor

1. Please check and tighten the outside screws.
2. Add grease into all the grease fittings.
3. Check the oil level of engine, gearbox and rear axle, final transmissions, front wheel drive axle, steering oil tank and hydraulic system. If it is not enough, then supply again.
4. Fill some fuel and cooling water.
5. Check air pressure of the the tires.
6. Check proportion and height of battery electrolyte.
7. Put Shuttle shift lever, PTO shift lever ,range shift lever and gear shift lever on “netural” position.Disengage the 4WD. Lifting mechanism control at lowered position.

3.2 Running-in the engine without load

Running-in engine for 15 minutes without load.Start the engine in accordance with the procedure specified in the Instruction Manual, let the engine running-in 7 minutes in hight speed, 5minutes in mid speed, 3 minutes in high speed.

During the running-in of engine without load, should carefully check the work condition of engine, air compressor and hydraulic pump.Observe if have abnormality, noise and check leakages of water, oil and air. If the meters work abnormally, should stop and remedy the trouble to restart running-in when find abnormality.

Running-in as below when you confirm the engine working is abnormal.

3.3 Running in of hydraulic hitch system

1. Attach ballast or implement whose weight is 400Kg to 3 point hitch system. Push the lifting mechanism control to lowered position.
2. Run the engine in low speed for 10 min and in high speed for 10 min.
3. Put the throttle handle of engine into high position, operate lifting mechanism control to make the ballast or implement moving from highest position to lowest position for 10 minutes, at least 20 times
4. If hydraulic system operate hardly and lift or low hardly, check trouble immediately.

3.4 Running-in of hydraulic steering system

(1)Park the tractor on the flat road.

(2) Start the engine , let the engine work in low speed, mid speed and high speed. Turn the steering wheel left and right steady in proper order to do ten times pivot steering. Check whether the steering is flexible and portable. Check whether the steering system has oil leak, oil infiltrate and abnormal noise. During the Running-in of hydraulic steering system, the malfunction should be eliminated in time.

(3) After the engine shutdown, turn the steering left and right slowly , observe the follow-up condition of tractor front wheel steering to check whether it can realize the manpower turn .When turning the steering ,do not apply impact force to the steering wheel.

3.5 Running in of PTO

Put the throttle handle of engine into medium position, the engine will run at medium speed. Let the PTO shaft running-in for 5 minutes respectively at 540rpm speed and 1000rpm speed by shifting PTO lever to “540” or “1000” position. Check if it is abnormal and must make PTO shaft at Netural position after running-in.

3.6 Running in of the Tractor

When operating the tractor with a load during the running-in process, the load must be added from light to heavy and the gears must be changed gradually from low to high. Also you must steer and turn the tractor often while performing the above procedures. The total time needed to running-in the tractor with a load is 50 hours. The running-in criteria are as follows:

Table 3-1 Tractor running time

| Phase | Draft (N) | Time (h) | | | | | | | | | | | Total time(h) | |
|-------------|--------------|----------|------|-----|-----|-----|------|-------|-----|------|------|-----|------------------|------|
| | | F I | F II | FIV | FV | FVI | FVII | FVIII | R I | R II | RIII | RIV | | |
| Empty load | 0 | 0.5 | 0.5 | 0.5 | 0.5 | 0.5 | 0.5 | 0.5 | 0.5 | 0.5 | 0.5 | 0.5 | 0.5 | 6 |
| Light load | 2000 | 1 | 2 | 3 | 3 | 1 | 1 | 1 | 1 | 1 | 0.5 | / | | 14.5 |
| Middle load | 4000 | 2 | 2 | 3 | 3 | 2 | 1 | 1 | 1 | 0.5 | / | / | | 15.5 |
| Heavy load | 6000 | 2 | 2 | 4 | 4 | 2 | 1 | / | / | / | / | / | | 13 |

The front drive axle's running-in is only allowed in fields or dirt roads. Only low III gears can be used to running-in while the front drive axle is joining. Disengage the front drive axle before the other gears running-in.

Attention must be paid to the process of the running-in:

- (1) Whether the engine is running properly.
- (2) Whether the clutch joint is smooth and whether the separation is complete.
- (3) Whether the transmission of gearbox and changing gear is smooth、light. Whether the gearbox has disorderly shop, automatic stripping phenomenon
- (4) Whether the brake is reliable.
- (5) Whether the front drive axle joint and separate is reliable.
- (6) Whether the PTO's joint and separation is reliable.
- (7) Whether the differential lock joint and separate is reliable.
- (8) Whether the electrical equipment and all kinds of instrument is working properly.

In process of running-in, if abnormal phenomena are found, the cause should be found, and the running-in can be continued after the discharge.

3.7 Maintenance after running-in

After running-in, metal powders and dust will produce in the lubricant oil in the transmission system. All lubricating oil and hydraulic oil should be cleaned and replaced, carry out necessary technical maintenance before put tractor into normal use.

1. After the engine shutdown, drain out the oil in the sump and steering system when it is still warm. Clean sump, oil filter, diesel filter, air filter and filter net in the steering oil tank, after replace the core of diesel filter and oil filter, refill new oil as per specified.
2. Drain out the oil in the transmission system and front axle when it is still warm; meanwhile refill reasonable light diesel or kerosene. If the engine does not start, use slow speed drag tractor forward or backward about 3 minutes or lift the front and rear tires to leave ground. Turn front and rear tires about 3 minutes in two directions, instantly drain out the cleaning liquid. Meanwhile dismantle inlet oil filter or lifter to clean, refill new oil to transmission system, lifter and front axle as per specified after reinstall well.
3. Drain out coolant and after clean cooling system by water.
4. Clean diesel filter and air cleaner.
5. Check front toe-in, clutch, and the free path of brake, adjust it if necessary.
6. Check and fasten all outside bolts, nuts and screws.
7. Check the nozzle and valve clearance.
8. Check the working of electrical system.
9. Refill lubricant grease to each part of the tractor.

Chapter 4 Operating tractor

4.1 Instrument and Controls

To prevent from accident, it is necessary that you are familiar with instrument and controls.

4.1.1 Tractor Controls

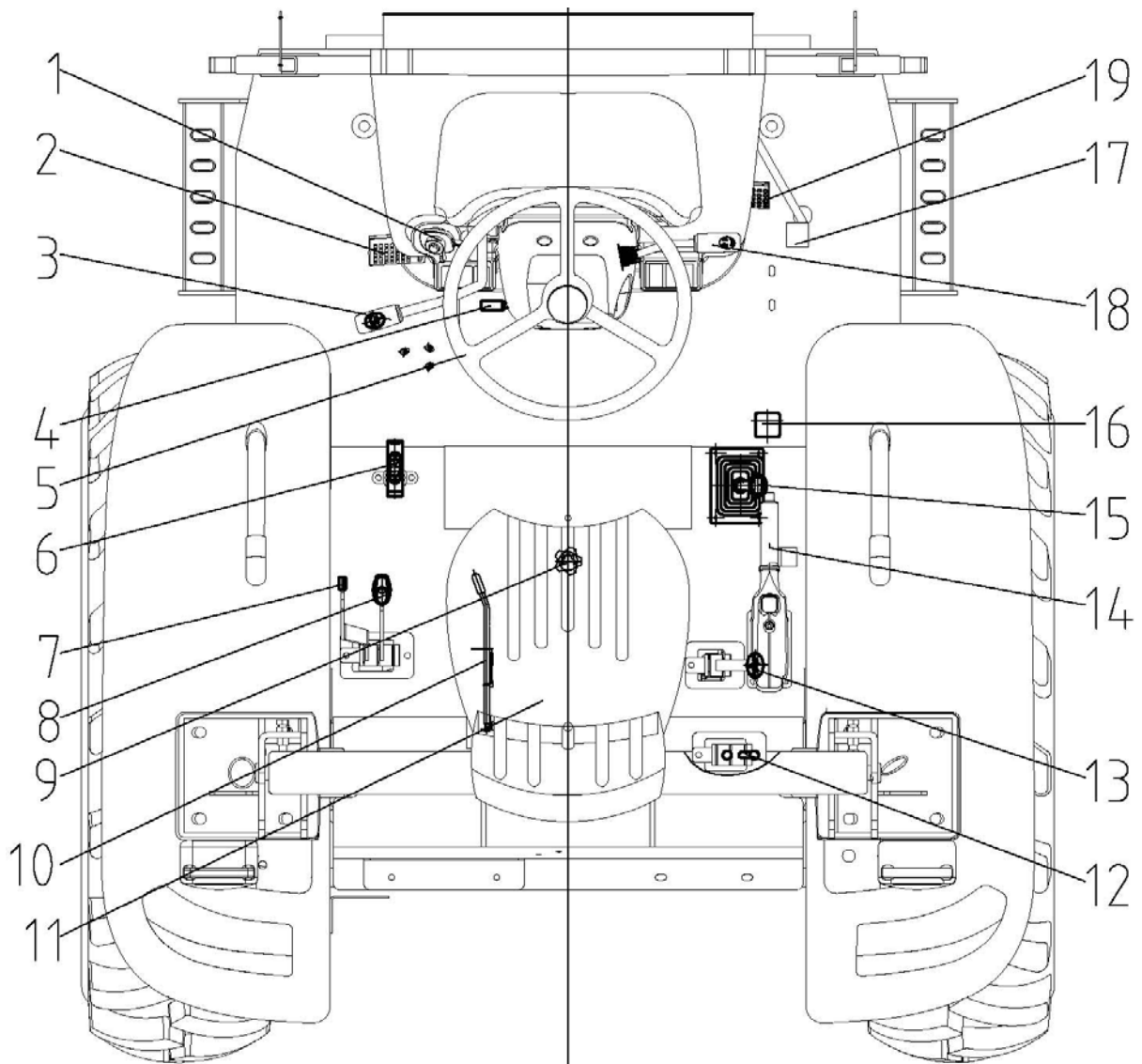


Fig.4-1 Controls

304G2 SERIES TRACTOR OPERATION MANUAL

1、 Multi function switch 2. Clutch Pedal 3. Shuttle Shift Lever 4. Steering Wheel adjust handle 5. Steering Wheel 6. Front axle engage handle 7. PTO Lever 8. Range Shift Lever 9. Hydraulic lock hand wheel 10. Seat adjusting handle 11. Seat 12. Multiple valve control handle 13. Three-point linkage lifting control 14. Parking brake control 15. Gear shift lever 16. Differential locking pedal 17. Foot throttle pedal 18. Brake pedal 19 Hand throttle

4.1.2 Instrument Panel and Switch



Fig.4-2 Instrument panel and switch

- 1. Instrument Panel
- 2. Grouped Switch
- 3. Switch Plate

1、 Ignition Switch



Fig.4-3 Ignition switch

- 1. OFF Position
- 2. ON Position
- 3. Preheat
- 4. Start Position

OFF Position(1)—Turn key to OFF position from ON position to stop engine

ON Position(2)— After turn key to Start position and releasing key, key returns to ON

304G2 SERIES TRACTOR OPERATION MANUAL

position.ON position enables on circuit allowing engine to run.

Cold Weather Start(3)—Preheat before start engine in cold weather. Refer the section“Start in cold weather” in this chapter.

Start Position(4)—Turn key to start position to start engine.

2、 Instrument Panel

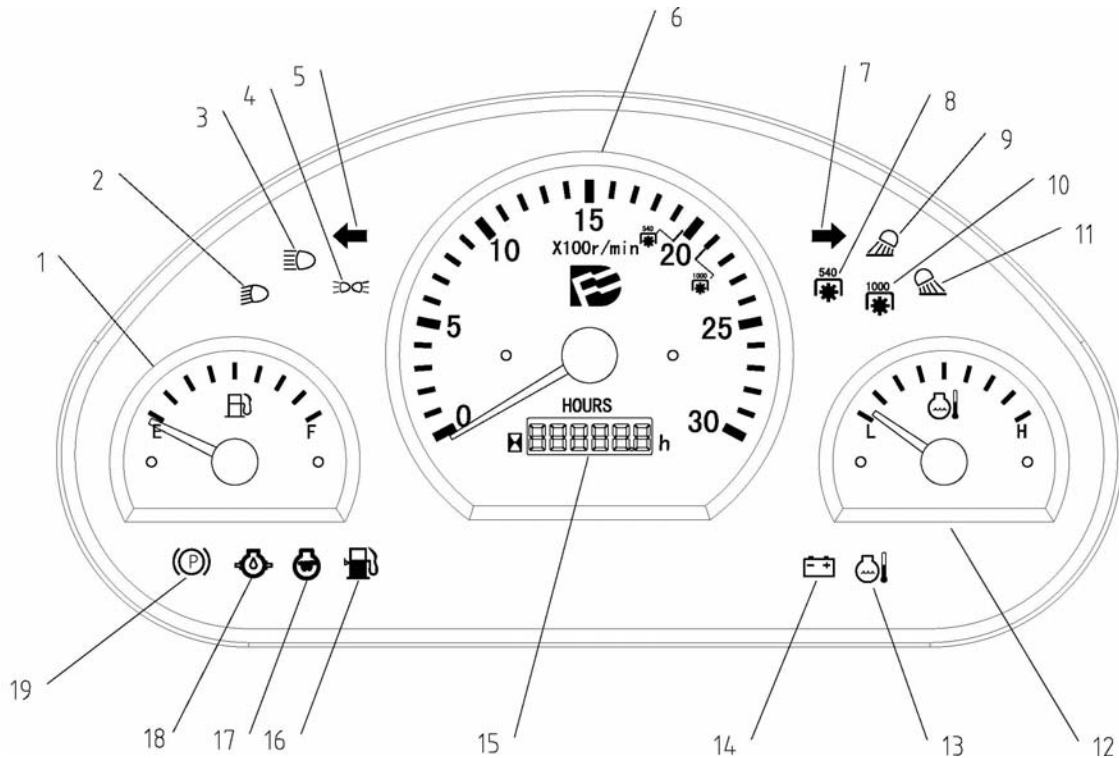


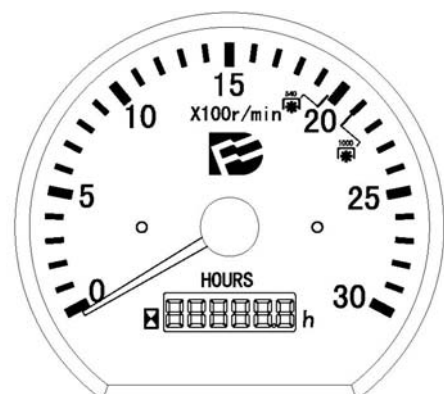
Fig. 4-4 Instrument Panel

1.Fuel Gauge 2. Dipped Beam Indicator 3. Low pressure Indicator 4.End-Outline Position Indicator 5. Left Turn Signal Indicator 6. Tachometer 7. Right Turn Signal Indicator 8. PTO Monitor Indicator for 540 rpm 9. Headlight Indicator 10. PTO Monitor Indicator for 1000 rpm 11. Tail Lamp Indicator 12. Coolant Temperature Gauge 13. Temperature Indicator 14. Charge Indicator 15. Hourmeter 16. Fuel Indicator 17. Electrical preheat Indicator 18. Engine Oil Pressure Indicator 19. Brake Indicator

Techometer and Hourmeter

Techometer shows engine revolutions per minute, read in hundreds.

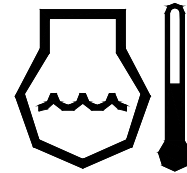
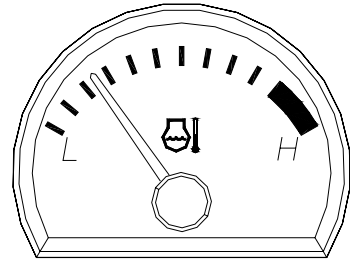
Hourmeter shows hours of engine operation in full hours and tenth. White mark shows the rotational speed of engine. Blue mark shows the rotational speed of PTO.



Coolant Temperature Gauge

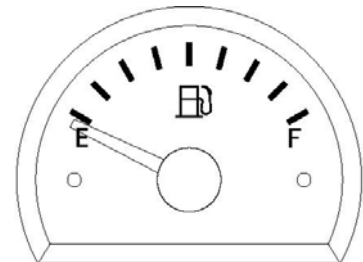
Coolant temperature gauge shows the temperature of the engine coolant. The temperature of green zone is 40 °C ~100 °C, and red zone is 100 °C~115 °C.

The normal temperature of engine coolant is 70 °C~85 °C. The most temperature is not over 95 °C. If the coolant temperature gauge goes into the red zone, the coolant temperature alarm will light. In the case, stop engine and determine the cause.



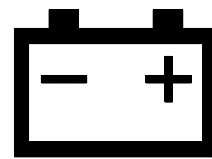
Fuel Gauge and Fuel alarm

Fuel gauge shows the quantity of the fuel. The letter "F" means full and "E" means empty. If the fuel gauge goes into red zone, the fuel alarm will light. You should add fuel to fuel tank.



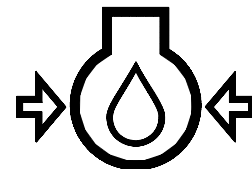
Charge Indicator

Charge indicator lights when key is turned to START position and goes out after engine starts. If charge indicator stays lit for longer than 5 sec, please stop the engine and check for cause.



Low Pressure Indicator (Red)

Low pressure indicator shows should glow when the pressure of engine lubrication system pressure is under 0.1Mpa so that engine should be stopped and checked. When idle engine, low pressure indicator may light.



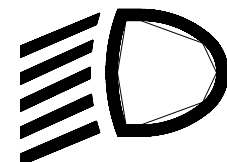
High beam Indicator (Blue)

High beam Indicator should glow when high beam switch is switched to beam position.



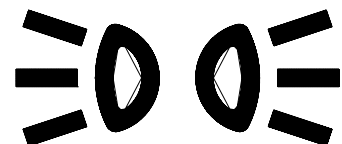
Dipped-beam Indicator (Green)

Dipped beam indicator should glow when dipped beam switch is switched to beam position.



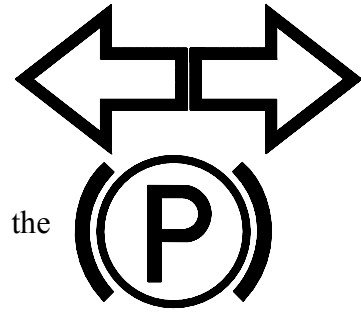
End-outline Position Indicator (Green)

End-outline Position indicator lights when the main beam lamps are lit.



Left and Right Turn Indicators (Green)

Left and right turn indicators lights when left or right indicator lamp is lit.



Brake Indicator (Red)

Brake indicator lights when brake is depressed. At one time, the brake lamp will light.

PTO Monitor Indicator for 540 rpm

Indicates the state of the PTO shaft as follows:

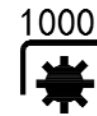
- If the monitor glows, the PTO shaft is rotating at speed of 540 rpm.



PTO Monitor Indicator for 1000 rpm

Indicates the state of the PTO shaft as follows:

- If the monitor glows, the PTO shaft is rotating at speed of 1000 rpm



Electrical preheat Indicator

When ignition switch is on 'Preheat' position, thi indicates is working.



Headlight Indicator and Tail Lamp Indicator

Headlight Indicator should glow when Headlight switch is switched to beam position.

Tail Lamp Indicator should glow when Tail Lamp switch is switched to beam position.



3、Combination Switch:



Fig.4-5 Combination switch

1. Turn indicator switch
2. Horn switches
3. Main beam switch

Turn indicator switch 1 is used to switch on the right or left turn indicator lamp. Turn switch 1 clockwise to switch on right indicator lamp. Turn button 1 counterclockwise to switch on the left indicator lamp. Turn indicator switch is not functional when hazard warning signals flashing.

Switch off hazard warning signal with hazard warning switch before operating turn

indicator switch.

Push down horn switch 2 to switch on horn. The button 2 will return to initial position after releasing.

Turn main beam switch 3 to control the main beam lamp.

4、 Switch plate:

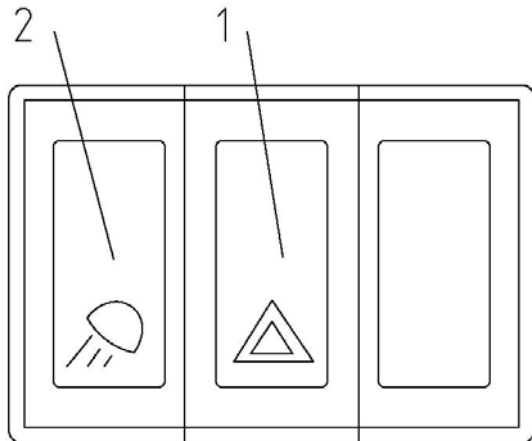


Fig.4-6 Switch plate

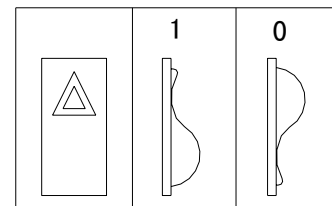
1. Hazard-warning signal Switch

2. Rear Work Lamp Switch

(1) Hazard-warning signal switch

It is only used to switch ON the hazard-warning signal.

Hazard-warning signal should light when tractor should be repaired on road or running in night. “1” is ON position.



(2) Rear Work Lamp Switch

It is only used to switch on the rear work lamp. “1” is ON position. Rear work lamps are installed on left and right fenders.

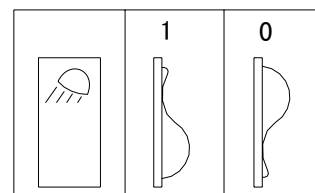


Fig.4-7

1. Rear Work Lamp

4.2 Driving the Tractor

4.2.1 Getting on and leaving the tractor

Getting on or leaving the tractor must only be made where steps (A) and handrails (B) are provided. Always face the machine when entering and leaving. Make sure the step(s), handrails and your boot soles are clean and dry. Do not jump from the machine. Do not use the machine controls as handholds, use the handrails.

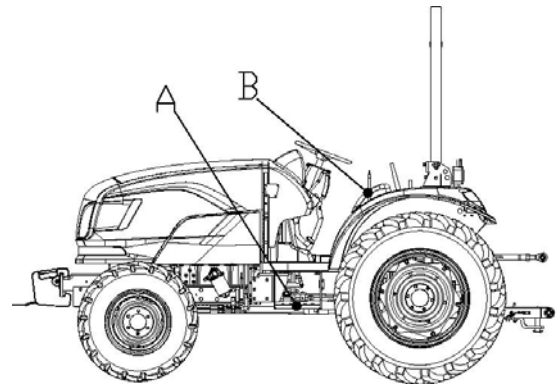


Fig.4-8

Make sure the machine is stopped and correctly parked before entering or leaving the cab or tractor.

4.2.2 Adjust Seat and Steering Wheel

Do not adjust the seat and steering wheel when the machine is in operation.

The operator's seat can be adjusted for your comfort. A correctly adjusted seat will reduce operator fatigue. Position the seat so that you can comfortably reach the machine controls. For driving the machine, adjust the seat so that you can depress the pedals fully with your back against the seat back.

- **Use operator's set**

The operator's seat can be adjusted for your comfort. A correctly adjusted seat will reduce operator fatigue. Position the seat so that you can comfortably reach the machine controls. For driving the machine, adjust the seat so that you can depress the pedals fully with your back against the seat back.

1.Fore/Aft Adjustment

- a)Lift handle A upwards and slide the seat forwards or backwards to the required position.
- b)Release handle A and make sure the seat locks into position.

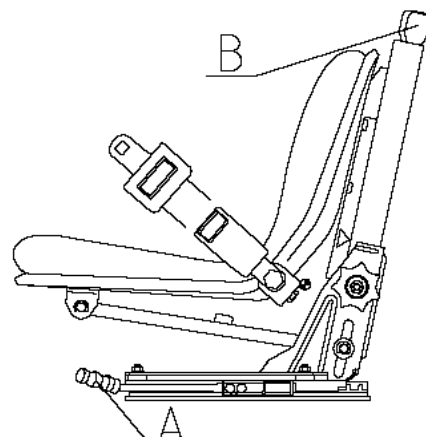


Fig.4-8

2 .Height Adjustment

a)With the seat unloaded, turn the knob B in the required direction to raise or lower the seat.

b)Raise or lower the seat until a clear view is achieved.

• Seat Belt

1.Fasten the Seat Belt

a)Sit correctly in the seat.

b)Push the male fitting A into the buckle B until it latches into position.

Make sure the seat belt is not twisted and that it is over your hips not your stomach.

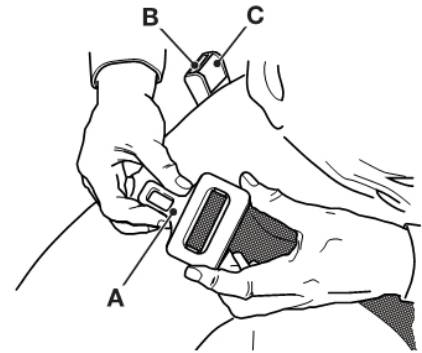


Fig.4-9

2.Release the Seat Belt

Press button C and pull the male fitting A from the buckle B.

• Steering Wheel



Fig.4-10

1. Adjustment handle

2. Steering Wheel

Steering wheel can be adjusted forward or backward to make the operation of tractor satisfactorily by following steps.

- (1) Depress the the adjustment handle.
- (2) Pulling the steering wheel backward or pushing it forward as your need.

4.2.3 Operating the Engine


- **Service Daily Before Start-Up**

Park the tractor on flat ground before executing check. Check engine oil level. Remove and clean the dipstick and reinsert fully. Remove and check the oil level. The safe operating range is between upper and lower marks on the dipstick.

Do not operate the engine if the oil level is below minimum mark. In this case, add recommended oil.

- (1) Check prefilter of air cleaner.
- (2) Check transmission/hydraulic oil level. Remove dipstick and clean it and reinsert fully. Remove and check the oil level. Oil level should be between upper and lower marks on the dipstick. If low, add oil.
- (3) Drain water and sediment from fuel filter.

- **Before Starting the Engine**

 **CAUTION:** Prevent asphyxiation. Engine exhaust fumes can cause sickness or death to you or someone else. If you must operate engine in a building, be positive there is adequate ventilation. Either use an exhaust pipe extension to remove the exhaust fumes or open the doors and windows to bring enough outside air into the area.

- (1) Check fuel gauge to be sure that tractor has plenty of fuel.
- (2) Place shuttle shift lever in neutral, "N" position, and PTO switch in disengage position. Starter does not operate if shuttle shift lever and PTO switch are not in these position.
- (3) Place rock shaft position control lever in lower position.
- (4) Check charging system (battery) and oil pressure indicators. They glow when ignition switch is turned to ON position. If any indicators do not function properly, see your Knegt Dealer.

- **Start the Engine**

304G2 SERIES TRACTOR OPERATION MANUAL

NOTE: If temperature is below 5°C, refer to cold weather starting procedure in START IN COLD WEATHER section.

- (1) Pull hand throttle backward to about mid of lever travel to increase engine speed. Engine does not start with throttle pushed up.

⚠ CAUTION:

- 1) Avoid possible injury or death for the sake of a machine runaway. Do not start engine by shorting across starter terminals. If normal circuitry is bypassed, machine starts in gear and moves.
- 2) Start engine only from seat with transmission in neutral. Never start engine while standing on ground.

⚠ IMPORTANT: Do not run a cold engine at full throttle.

- (2) Make certain Shuttle shift lever in Neutral, "N" position, and creeper gear shift lever in "High" position, and the PTO switch in OFF position. Depress clutch pedal and turn key in ignition switch fully clockwise to START position. Release key when engine starts. If key is released before engine starts, wait until starter and engine stop turning before trying again. Check all indicators are off after engine starts.

⚠ IMPORTANT: DO NOT operate starter more than 15 seconds at a time. If engine does not start, wait at least 2 minutes for starter motor to cool before trying again. If engine does not start in three attempts, refer to TROUBLE SHOOTING section.

- **Start in Cold Weather**

⚠ CAUTION: Never use any starting fluid when starting the engine using the cold weather starting aid. The heating coil in the device may cause such flammable material to ignite, result in bodily harm or damage to machine.

- (1) Proceed as instructed in Before Starting the Engine and up to starting the Engine, step 1, in this section.
- (2) Turn ignition key clockwise to Preheat position, hold key in this position in between 20-25sec, then turn key fully clockwise to START position.

⚠ IMPORTANT: If engine fails to start, do not operate starter for more than 30sec at a time. Turn key back to OFF position and wait at least 2 minute before trying again, allow starter motor to cool off.

After engine starts, do not adjust hand throttle lever. Let engine run for 3-4 minute, or if


the temperature is below 0°C, extend warm-up period accordingly.

- **Check Instruments after Starting**

IMPORTANT: If charging system indicator or oil pressure indicator remains ON, or if coolant temperature gauge goes into the red zone, stop engine and determine the cause.

- (1) **Oil Pressure Indicator**

Oil pressure indicator lights and stay lit when engine oil pressure falls below minimum.

 **IMPORTANT:** Never operate engine without sufficient oil pressure. If indicator light stays lit for longer than 5 seconds under normal operating conditions, stop engine and check for cause.

If low oil level is not the problem, see your Knecht dealer.

- (2) **Charging System Indicator**

Charging system indicator lights when alternator output is low. Charging system indicator lights when key is turned to ON and START position, and goes out when engine starts. If indicator light stays lit for longer than 5 seconds under normal operating conditions, stop engine and check for cause.

If loose or broken fan belt is not the cause, see your Knecht dealer.

- (3) **Coolant Temperature Gauge**

The needle on the temperature gauge rises as engine warms up. If needle reaches to red zone, stop engine and determine the cause.

Check coolant level in radiator when engine cools. Also check front grille, radiator for plugging. Check fan belt tension. If problem is not corrected, see your Knecht dealer.

CAUTION: Do not remove radiator cap until coolant has had a chance to cool down.

Always loosen radiator cap slowly to relieve excess pressure.

- (4) **Watch Fuel Level**

Stop to refuel before needle on fuel gauge reaches empty mark.

If tractor run out of fuel and not start in several tries, air must be bled from fuel system.

(See Bleed Fuel System, in Maintenance-Fuel System section)

- **Warm Up the Engine**

The throttle should be reduced immediately after starting engine. Idle the engine at about 1500 rpm for several minutes. Run engine at a low speed and under light load until coolant reach 60°C.

4.2.4 Start the Tractor

1. Loose the park brake system and press the horn then check the surroundings.
2. Depress the clutch pedal to the end, shift to a proper gear. If it fails, then loose the clutch pedal, and do these procedures again.
3. Step up the tractor, and loose the clutch pedal slowly at the same time.

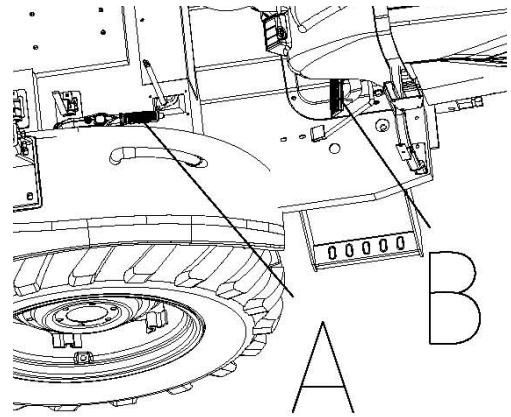


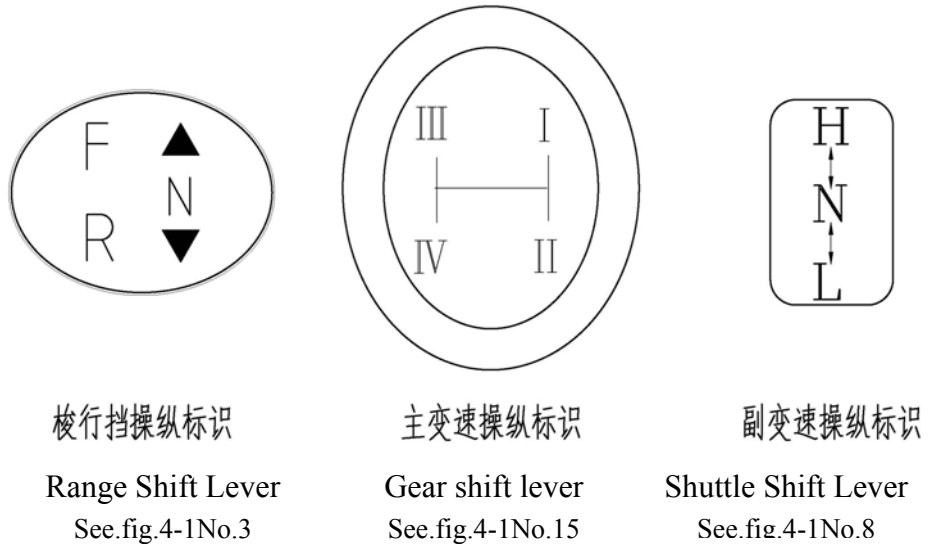
Fig.4-11

- A. Park brake control lever
- B. Brake pedals

4.2.5 Driving the Tractor

1. The tractor's driving

(1) The choice of gear. This series of tractors has eight forward gears and eight backward gears. The selection of the tractor's gear should be based on regional geology, climate and work type. The proper selection of gear, can achieve maximum productivity and economical efficiency, and can prolong the service life of the tractor.



梭行挡操纵标识

Range Shift Lever
See.fig.4-1No.3

主变速操纵标识

Gear shift lever
See.fig.4-1No.15

副变速操纵标识

Shuttle Shift Lever
See.fig.4-1No.8

Fig.4-12

The tractor should

not be often overload, The tractor work at 80% of the maximum power, let the tractor engine has a certain power reserves.

- a) The basic gears of work are :Plough often use low III gear, low VI gear, high I gear; rotary tillage often use low I gear, low II gear, traction operations often use low III gear, low VI gear, high I gear, high II gear; transport operations often use high II gear, high III gear, high VI gear. Spindle gear, the main gear, high and low gear as shown in fig 4-12.

304G2 SERIES TRACTOR OPERATION MANUAL

b) Transmit a lower gear When the engine has a deep voice , speed drops, black smoke at work, in order to prevent the engine overload. Transmit a higher gear and small throttle when the load is lighter and work speed should not be too high, in order to save fuel.

(2) When the tractor is on the road, it is forbidden to put the foot on the clutch pedal , or with the clutch to control speed ,it will make the clutch overheating and damage early.


(3) Reduce the throttle when the tractor steering. When working in the field, can use single braking, in order to reduce the turning radius. But when high-speed operation, it is forbidden to use single braking for a sharp turn. Feet should be on the clutch pedal and brake pedal at the same time when emergency braking, do not be alone on the brake pedal ,so as not to do damage to the brakes and other components.

(4) When the tractor mounted farm implements and do long-distance running, the hydraulic lock valve should be shut, and PTO lever should be in the neutral position.

ATTENTION!

It is necessary to check whether the brake function work normally before the tractor departure. It is not allowed to put feet on clutch pedal and brakes pedal, futher more does not allow to control speed with the clutch. In addition, when driving on road, it is must connect the left and right brake pedal interlocking, lest the tractor wandering and happen accident when the tractor brake.

• **Use of the Brakes**

 **CAUTION:** Before operating a tractor on a road, interlock brake pedals together with locking bar. Use brakes lightly and cautiously at transport speed.

For field work, brake pedals should not be interlocked together. Instead, apply right brake pedal to assist in making sharp right turn and left pedal for sharp left turn.

To stop a tractor, interlock brake pedals together with locking bar, depress brake pedals. Put gear shift in “Netural” position and shuttle shift in “Netural” position, then pull the hand brake lever up fully.

• **Use of the Differential Lock(See fig.4-1 No.16)**

When one wheel starts to lose traction, you can engage the differential lock as following steps:

(1) Stop the tractor.

▲ NOTE: Tractor wheels must be stopped or turning at the same speed before engaging differential lock. If possible, engage differential lock before entering the area where tires may slip.

- (2) Depress clutch pedal, place range shift lever in "L" position, and gear shift lever in "I" position.
- (3) Pull the hand throttle lever down to its max position.
- (4) Depress differential lock pedal down.
- (5) Slowly loosen clutch pedal. Then tractor will run out of the area where tires slip. If tires repeatedly slip, then get traction, and then slip again, hold pedal in the engaged position.

Note: Unequal traction keeps the lock engaged.

When traction equalizes, lock disengages itself by spring action. If lock does not disengage, depress one brake pedal and then the other.

▲ CAUTION: Do not operate tractor at high speed or attempt to turn with differential lock engaged. To prevent damage to drive train, do not engage differential lock when one wheel is spinning and the other is completely stopped.

- **Use of the 4WD (See fig.4-1 No.6)**

When driving on icy, wet or gravel surface, reduce speed and be sure tractor is properly ballasted to avoid skidding and to prevent loss of steering control. Front wheel drive provides better control under these road conditions.

Front axle can be engaged or disengage while in motion. See following steps:

- (1) Depress the clutch pedal, then slowly release the clutch pedal, and pull the Front axle handle up to engage 4WD in time. So tractor is in 4WD mode.
- (2) When stop or shift the gear, depress clutch pedal, firstly push down the Front axle handle to make 4WD disengage, then gear off and shut down the engine or gear up needed gear.

▲ Caution: 4WD greatly increases traction. When using this option, extra caution is needed on slopes. Compare to two wheel drives, front wheel drive maintains traction on steeper slopes, increasing the possibility of a tip over.

Important: To extend service life of front tires life, engage front drive only when needed in the field. Front tires turn slightly faster than rear tires with 4WD engaged and will

wear very quickly if driven in 4WD mode on hard surface for an extended period. Unless absolutely necessary, do not engage 4WD when driving on hard surface.

- **Use of the hydraulic steering system(see fig.4-1 No.5)**

⚠CAUTION: Pay attention to the following messages to keep your safety and the good condition of the tractor.

- (1) Don't turn the steering wheel with force if it's hard to turn the wheel. At first you should check the system and eliminate problems.
- (2) If the steering pump is broken or the engine can not work, and the tractor must be moved away, you should turn the steering wheel slowly. No sudden force is allowed, or the components of the steering system may be damaged.
- (3) Do not remove and adjust the steering pump by oneself. It may change the pressure of the valve.

⚠CAUTION:

- (1) When the tractor travels at a high speed, don't make an emergency turn with single brake.
- (2) If the steering angle of the front wheels is too big, and there is a noise in the valve, you should turn the steering wheel back a little to prevent overload of the hydraulic system.

- **Use of the tires**

As the damageable parts of the tractor, tires should be paid attention on their maintenance to extend their life.

Inflate the tires according to the regulations, if the pressure is too low or too high is not permit.

Avoid travelling over the barrier at a high speed.

The tires should be kept away from chemic stuff, such as acid and oil.

Check toe-in to avoid unnatural wear of tires. If the wear is asymmetric, exchange the left and right tire.

When mounting the tire, pay attention to direction of the tire pattern.

4.2.6 Stopping Tractor

⚠CAUTION: Always pull up the Park Brake Lever fully before dismounting.

Leaving transmission in gear with engine off may not prevent tractor from moving.

304G2 SERIES TRACTOR OPERATION MANUAL

1. Reduce the throttle to slow down the tractor.
2. Depress the clutch pedal and depress the brake pedal to stop the tractor, and then place the gear shift lever and Shuttle shift lever in “Neutral” position. And then loosen the clutch and brake pedals.
3. Pull hand throttle down to slow idle position. Allow engine to idle for 1 to 2 min. Wait the temperature of coolant decrease to below 70°C.

⚠️IMPORTANT: Engine oil provides cooling of certain engine parts. Stopping a hot engine suddenly could damage these parts by overheating or lack of lubrication.

4. Turn key switch to STOP position. Then remove key from key switch to prevent operation by untrained personnel.
5. If place the tractor on a slope, please pull up the hand brake lever fully.
6. Drain off the cooling water in winter.

⚠️CAUTION:

- (1) The operator can not leave with the engine on. And it's necessary to keep the shuttle and main gear shift levers in neutral.
- (2) If the tractor stopped on a slope, the engine must be shut down. At the same time, shift the shuttle and main speed into gear (upgrade with the shuttle forward and downgrade with the shuttle reverse). Lock the tires with chocks.

4.2.7 Draw the Tractor

1. Turn switch key to OFF position.
2. Place Shuttle shift lever in Neutral position, Range shift lever in H position, Gear shift lever in IV position.
3. The draw speed must be lower than 18 km/h.

How to draw the tractor

You have two ways for draw tractor, you can use hook catch B (Bolt weldment) and also you can put rope to C area: you should take out A (Pin) from B, then take out B, and put rope to C area, then install B and A.

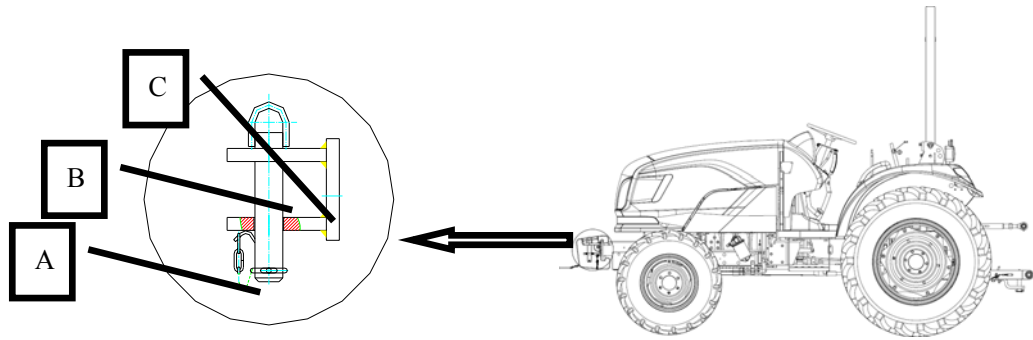


Fig.4-13

4.2.8 Hoist tractor

When you want hoist tractor, you should bundle up the hoisting slings scurely and suspend such as fig.5-1. Front suspend on Frame,Rear suspend on Drawbar.

After mak sure the hoisting slings is confirmed, hoist slowly and move the tractor Put it to an appropriate position .

The carrying capacity of Crane must bigger than tractor technically permissible laden masses.

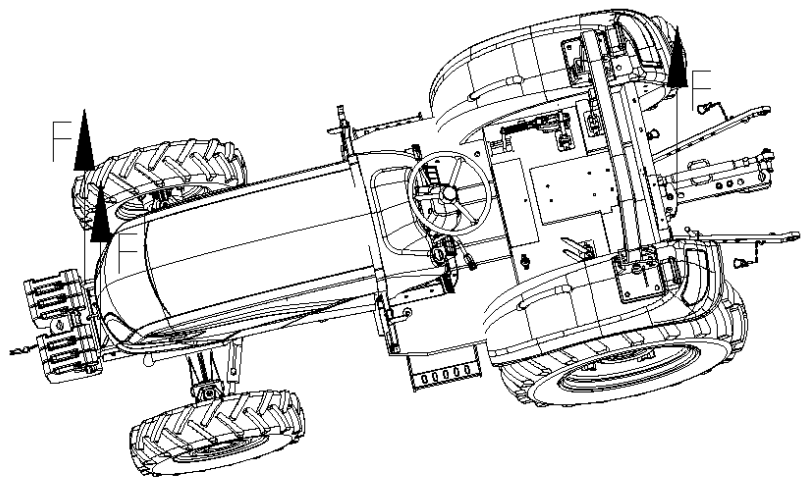


Fig.4.14 Hosit tractor

4.2.9 Jack tractor

Fig4.15 shows the recommended jacking points of tractor by a jack of sufficient lifiting capacity. The carrying capacity of Jack must bigger than tractor technically permissible laden masses.

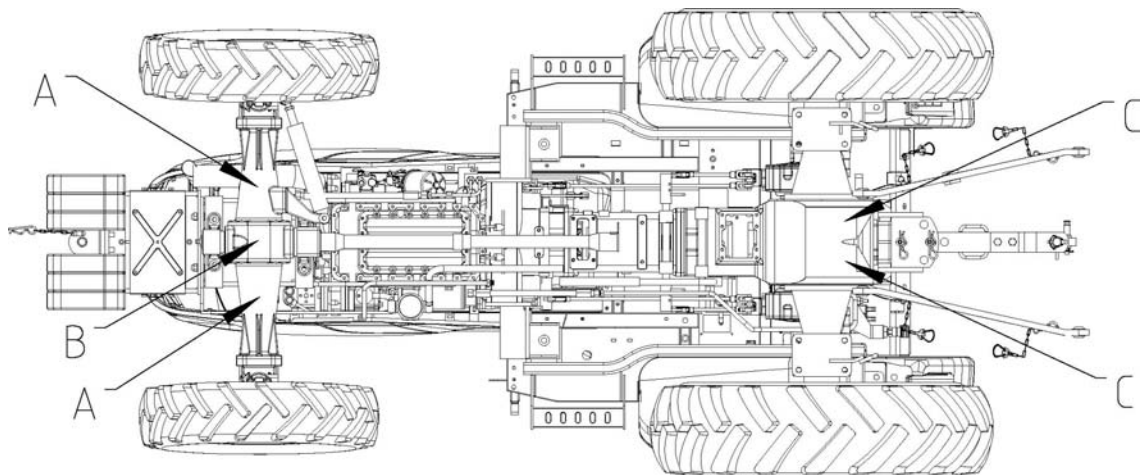


Fig. 4-15

- A——Front jacking point
- B——Middle jacking point of Axles
- C——Rear jacking point

4.3 Using the Tractor implents

4.3.1 Hydraulic lift system control lever

4.3.1 The hydraulic lift system manipulate

These series tractors are half division type hydraulic lift systems; it is the distributor, the hydraulic oil cylinder parts, such as composition of lifter assembly (see fig. 4-), and to separate hydraulic pump installation, through the connection line, forming a complete system.

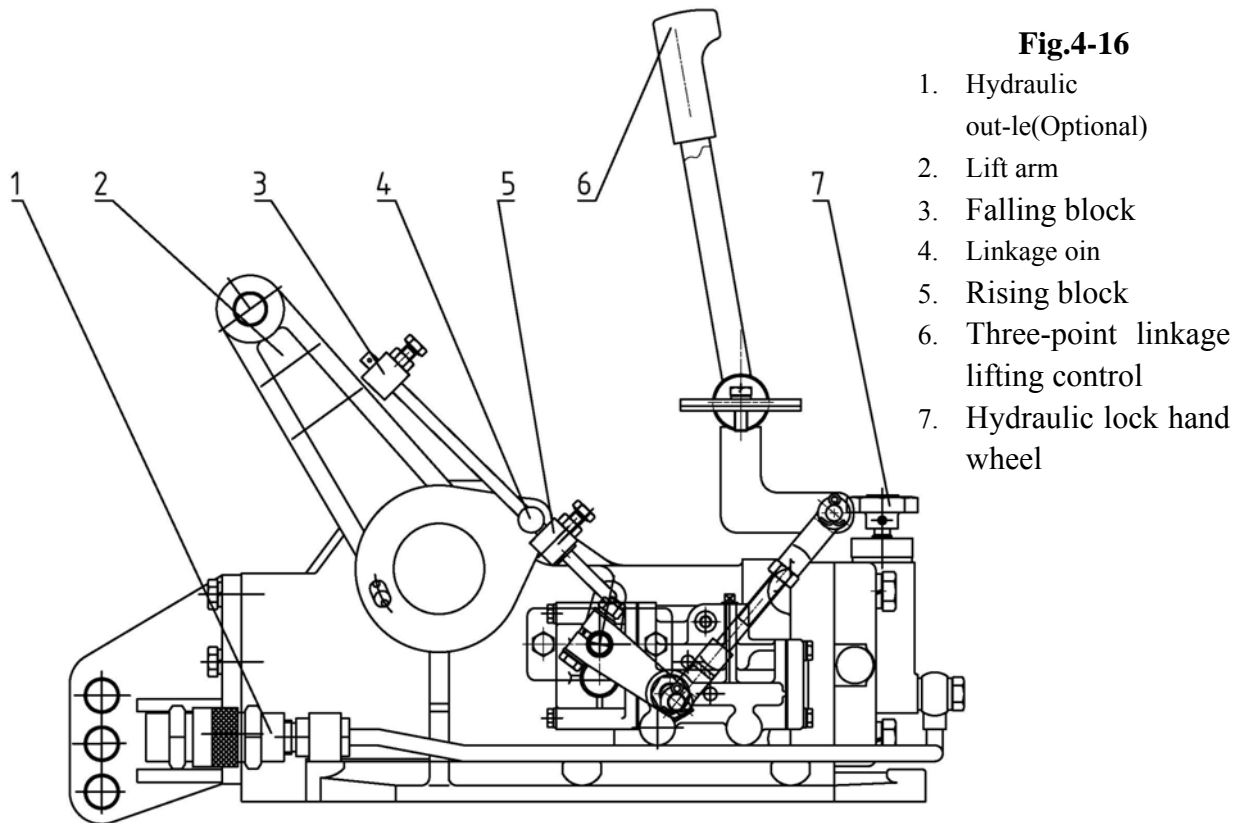
- **Rise and fall farm impliments**

As shown, push the control forward, the farm impliment fall. When the falling block hit linkage pin, control handle will be back to the neutral position, the farm impliment will stop falling. So you can make the farm impliment down to the depth of the need for agricultural operations by fix the falling block at a specific location.

In a similar way, if you need raise the farm impliment, you need to pull the control handle backward. When the rising block hit linkage pin, control handle will be back to the neutral position, the farm impliment will stop rising. Namely the rising block is fixed at different locations; you can get different rising height.

In the process of work, if you want to temporarily adjust the depth, you can control

the handle rise or fall, after you get the desired depth, you need to move the handle to the neutral position immediately.



If you need adjust the rising and falling speed, you can rotate the hydraulic lock hand wheel.

- **Farm implement with wheel**

--When the tractor working with farm implements which have wheel, the control handle need to be pushed to the down position, then the distributor automatic back oil, the farm implements work depth adjusted by wheel.

4.3.2. Use hydraulic output system

These series tractors are equipped with two sets of standard hydraulic output circuit, the option of a set of hydraulic output circuits or simple hydraulic output circuit. It is located in the rear of the driving seat, when you need hydraulic output, you can control the joystick of the multiple directional control valve which is located in the driver's seat left. Each joystick controls a set of hydraulic output (one in one out). When you use it, you need put the suspension mechanism in the bottom position and decrease the speed

control valve.

Connect Hose:

- (1) Take out the joint which in the tractor's accessories, connect one end to implement on the pipeline.
- (2) Remove the rubber plugs, rubber plug for the same set of hydraulic output circuit are the same color.
- (3) Selected to remove the self-closed joint sleeve position, and then grip and push the self-closed joint's sleeve (as shown in figure 4-20), as in the case of without letting go, insert the other end of the connector into self-closed joint's sleeve. When it is confirmed that it has been inserted correctly, release you hand, the self-closed joint sleeve and the connector are connected together, thus realizing the quick connection of the pipeline. Make sure that hose ends and coupler receptacles are clean and dry.

- (4) After using the hydraulic output valve, place the multiple directional control valve handle in a neutral position, push it again by hand in the shell of the self-sealing joint sleeve, unloose the connector body, immediately release the connector body, and plug the plug into the self-sealing nipple sleeve. Then grip

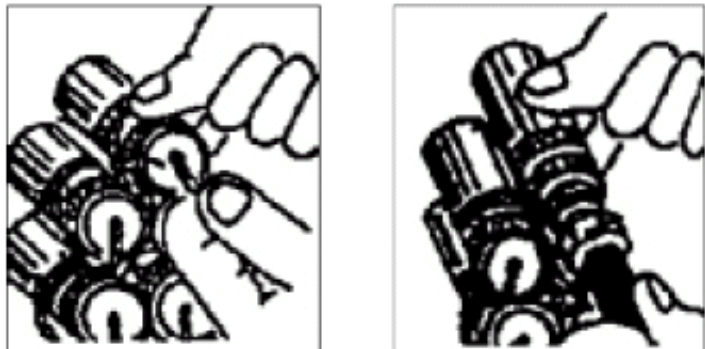


Fig.4-17

and push the self-closed joint's sleeve again, in the case of without letting go, pull out the connector, immediately release you hand, then use rubber plug stopping up the self-closed joint.

⚠ WARNING

- (1) After using the hydraulic output valve and separating the self-closed joint sleeve and connector. The rubber plug of the self-closed joint must be put back to its original place.

(2)Hydraulic lift system and hydraulic output valve cannot be used at the same time.

4.3.3 Use three-point lifting mechanism



Fig.4-18

1.Lift rod locknut 2.Lift rod 3.Limit chain 4.Limit chain locknut 5.Lower pull rod 6.Lower rod limit spring 7.Upper pull rod 8.Upper rod locknut 9.Lift arm

These series tractors adopt rear three-point lifting mechanism (as shown in fig. 4-18), proper use and adjust the suspension bar and supporting tools can improve the work efficiency, reduce working resistance, ensure the quality of cultivation.

- **Connecting farm implements**

Retreat tractor makes the connecting point close to the farm implements, and controls the lifting handle, so that the left and right lower pull rod can be connected to the farm implement, and put the pin into the hole and the locked tightly by locking pin. Adjust the upper pull rod to the suitable length, and use the long pin to connect the hanging hole of the column of the farm with the locking pin.

- **Use and adjustment of the three-point lifting mechanism**

304G2 SERIES TRACTOR OPERATION MANUAL

(1) When the tractor is ploughing, in order to ensure the quality of ploughing, you shall adjust the length of the upper pull rod, lifting rod and limit chain according to the plow's connection requirements and cultivation needs of the plough. In general, the upper pull rod is adjusted to keep the plow front and back horizontal, and the left and right lift rods are adjusted to the left and right horizontal, and the left and right limit chains are adjusted to swing the horizontal direction of the plow.

(2) The plow with belt wheel is adjusted by the belt wheel. In the first plow tillage, the first round of adjustment, when one of the plough is till to the required depth, adjust the upper pull rods to ensure plough plane parallel to the ground, and then adjust the left and right lift rod length, make each plough tillage the same depth; When ploughing the second plough, the ploughing of the tractor is caused by the running of the side of the wheel, which causes the ploughing depth to increase greatly. The length of the lift rod and the length of the upper pull rod should be adjusted so that the furrow ploughing is consistent.

(3) When the tractor is equipped with farm implement, the left and right limit chains limit the deflection of the hanger rod and the farm implement in the process of use. In order to ensure that the plow is automatically returned to the original position, a certain amount of deflection (about 5cm) is required, so that the deflection cannot be too large, so as not to touch the tire. When the tractor rotary tillage, it can be adjusted to the unbiased pendulum. Tighten the lock nut after adjusting. When do not hanging the farm implement, use the lower rod limit spring to connect the two lower pull rods to prevent the wheel from touching the tyre.

(4) When the tractor driving long distance with farm implement, in order to ensure the safety of driving, the following requirements should be carried out:

Adjust the length of the upper pull rod to meet the transport requirement. When the lifting height of farm implement is determined, the left and right limit chains should be adjusted to make the farm tools swing less. Then, lock the locking nut on the upper pull rod and the locking nut on the left and right limit chains respectively. Finally, rotate the hydraulic lock handwheel to the bottom position.

WARNING

(1) In any case, it is not allowed to adjust the upper pull rod and the left and right rod at

the same time to the shortest, so as not to hit driving seat and driver when they reach the highest position.

(2) When the farm implement rise to the highest point automatically neutral, do not push the lifting handle back, so as not to open the safety valve.

(3) It is forbidden to start and turn when the farm implement in the soil. Before starting and turning, the farm implement must be held up.

(4) Pay attention to whether the farm implement are equipped with the machine and check whether the lifting process is interfered.

(5) When the unit is transferred or crossed the ridge, you should prevent the farm implement from bumping into the field or violently swing, so as not to damage the tractor parts.

(6) No standing on the 3-point hitch or the shield. It may cause accident.

4.3.4 Use Mechanical coupling

There are two type mechanical coupling for attaching to the tractor.

1、 Disassemble the levers of 3 point hitch system; attach the draw bar to the tractor.

Then remove the pin from draw bar hole and attach trailer to draw bar.

2、 Rear ballast should be disassembled when signal shaft trailer is attach to draw bar.

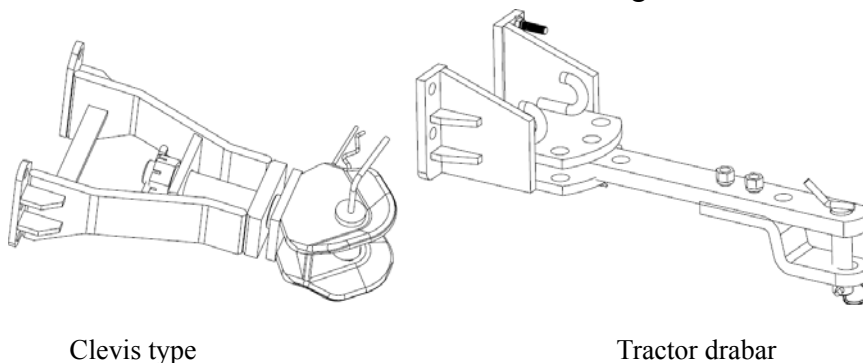


Fig.4-19

4.3.5 PTO

These series tractors are with rear power output, there are two speed for you to choose, 540 RPM / 1000 RPM (note: the power output shaft speed is 80 ~ 90% calibration engine speed can reach the speed of). The power output shaft is semi-detached. It can drive the farm implement while the tractor is moving, and it can also drive the farm

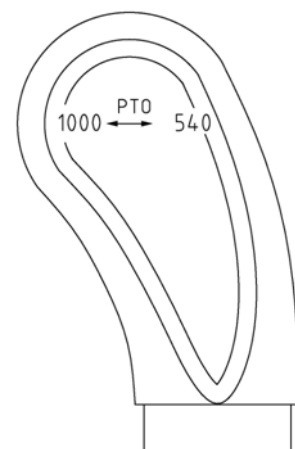


Fig 4-20

See fig 4-1 No,7 Pto lever

implement when the tractor stops. The speed of PTO changed by PTO control handle (as shown in fig 4-20).

The control steps of the power output shaft are as follows:

- (1) Put the PTO control handle in neutral position.
- (2) Remove the protective cover on the power output shaft and firmly connect the power output shaft with the farm implement after confirming that the power output shaft is no longer rotating.
- (3) Pedal the clutch pedal to the bottom, then turn the PTO control handle to the engage position, slowly release the clutch pedal, and the power output shaft can drive the relevant parts of the farm tools. The power output shaft shall be operated at a low speed, and the connection and operation of the farm implement shall be checked, and the normal operation shall be carried out after confirmation.

Using a power output shaft, farm implements hoisting height should be determined by the angle between the power output shaft with implement, the angle no more than 20° is advisable.

WARNING

- (1) When the power output shaft is not used, the PTO control handle shall be placed in neutral position and two protective shields shall be installed.
- (2) The driving type farm implement shall have the same input speed with power output shaft output speed, otherwise the operation quality will be affected, and even the early damage of the tractor and the machine will be caused.

4.3.6 Ballast

The tractor traction consisting of tractors power, and operation condition of the soil or road has been set, so the main factors affecting the traction force play is the tractor quality and the quality distribution of the front and rear wheels. The tractor must have a proper quality to play as soon as possible. The use of ballast should consider the load capacity of the tire and the maximum allowable quality of the tractor.



Fig.4-21 Ballast

The wrench should be used as a tool when load and unload ballasts.

When loading and unloading ballasts, it is necessary to pay attention to safety, ballasts easy to hit your feet. It is suggested that two people cooperate or find professional maintenance personnel when you need loading or unloading ballasts.

4.4 The use of electrical systems

The electrical system of each serie of tractor is dc power supply, the calibration voltage is 12V, the negative ground is grounded, the single line and double color system.

All kinds of electrical equipment adopt different wire diameters and different colored wires, which are connected according to certain rules and requirements, thus forming a complete machine circuit. See appendix 3 for the electrical schematic diagram.

4.4.1 Generator and voltage regulator

The generator is the main power supply of the tractor, which is used to supply power to the electrical equipment and charge to the battery, and the voltage regulator is used to limit the generator to make the output voltage in the regulation value.

Attention should be paid to:

(1) It is not allowed to check whether the generator is generated by using B+ and ground fire; otherwise, the silicon rectifying element will be burned.

(2) When the engine is in operation, it is not allowed to remove the connection wires on the generator.

(3) The generator is negative grounded, and shall not be wrong, otherwise, the silicon rectifier element or regulator will be burnt.

(4) If the engine is running at a moderate speed, but the charging indicator will not be extinguished, indicating that the generator or regulator is out of order and the tractor should be stopped and checked immediately.

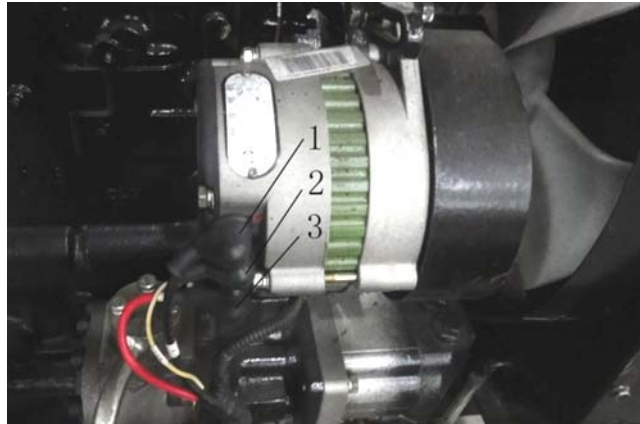


Fig.4-22

1.Cathode 2.Anode 3.B+

4.4.3 Start motor

Attention should be paid to:

(1) Start motor and battery should be connected right and reliable.

(2) The start motor shall not exceed 15s per working time, and the starting interval shall not be less than 2min. Otherwise, the capacity and performance of the battery will be seriously reduced, the start motor will overheat and reduce the service life, and even damage the start motor.

(3) If three consecutive fails to start the tractor, the condition of electromagnetic switch, battery technology, the battery connection wire connection situation, as well as engine fuel supply system should be checked. Start the tractor again after solving the troubleshooting.

(4) After the engine start, loosening the key of the power switch, otherwise, the power of the starting line fails to disconnect, the starting engine flywheel brought against after start motor, the start motor will be damaged.

4.4.4 Battery

These series of tractors provide you a free maintenance type of battery. Please do not open the battery shell. When battery shell burst by accident, please don't dispose it at will, because of sulfuric acid in the electrolyte of the battery is toxic, it is easy to burn the skin,

304G2 SERIES TRACTOR OPERATION MANUAL

corrosion and so on. you should wear protective glasses and rubber gloves at the same time, use dry cloth to wipe dry sulfuric acid, with plenty of water and clean the residual sulfuric acid. If you accidentally splash the electrolyte into your face or eyes, wipe clean with dry cleaning cloth immediately, rinse with plenty of water, and seek medical attention immediately when serious.

Attention should be paid to:

- (1) Do not discharge the battery strongly in a long time, otherwise the battery will be damaged.
- (2) Pay regular attention to the battery power, which must be charged in time.
- (3) In normal use, if the battery is found to be undercharged, the working conditions of the generator and regulator must be checked and the battery shall be recharged.
- (4) It is strictly forbidden to put the battery on hold for a long time after it is discharged, and it should be recharged in time. A battery that hasn't been recharged for long periods of time will be recharged at least once a month to prevent the plate vulcanisation.
- (5) If the tractor is parked in the open air for a long time in winter, the battery should be taken down and placed in a room with temperature of more than 0°C.
- (6) In order to avoid oxidation of pole pile and lead head, it is necessary to keep pole pile and lead head clean frequently. If there is an oxide, use a knife to clean, and apply a layer of petroleum jelly or calcium base grease.

4.4.5 Insurance device

The tractor instrument rack is equipped with a fuse box, which can be used to protect

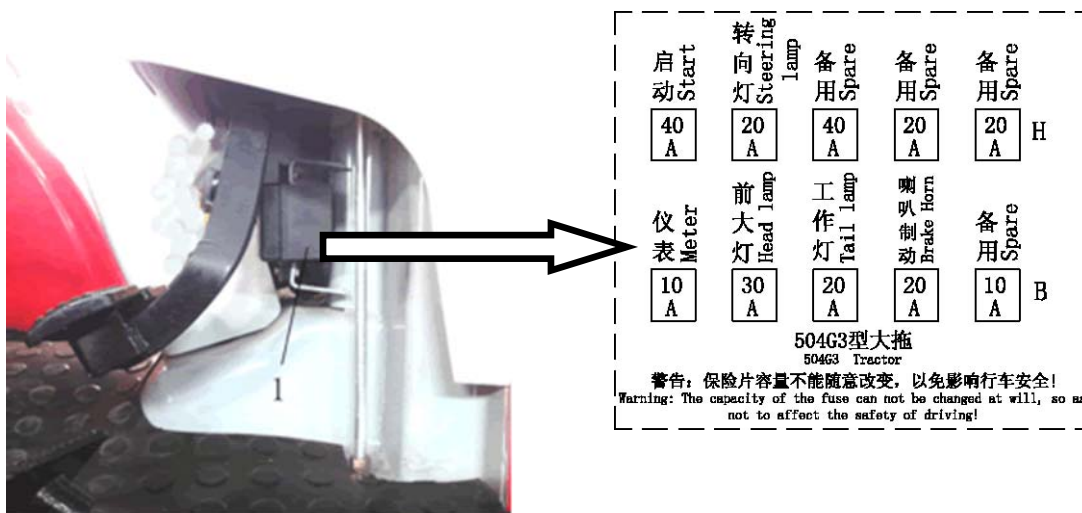


Fig.4-23

different electrical components according to the different load of electric equipment.(see fig 4-23)

⚠WARNING:

(1)If there is a fault in the electrical components, check whether the fuse in the corresponding position of the line is burn out. If it has been broken, you can take a period of fuse from the fuses, tightly fix it between two clamps, then plug the fuse back in place.

(2)If the installed fuses are defined but the fuse is often burned, which indicating that there may be a line faults should be checked and excluded. It is not allowed to use multiple units or increase the capacity of the fuse instead, or it will burn the electrical components in the circuit.

(3) It is strictly forbidden to use copper wire or iron wire to replace the fuse, otherwise it would lose the insurance function, and damage the electrical components in the circuit.

Chapter 5 Maintenance

Maintain the tractor well can make it work in a good condition, and protect the tractor from damage, even extend the life.

⚠CAUTION: Maintenance must be operated when the tractor is out of power!

5.1 Oil and lubricants

1、 Oil and lubricants

| Position | Temperature range | Category of oil | Remark |
|--|-----------------------------|--|-----------|
| Fuel tank | Above 10° C | No. 0 light diesel | GB252-87 |
| | 0° ~10° C | No. -10 light diesel | |
| | Below -10° C | No. -35 light diesel | |
| Gearbox, front drive axle, hydraulic system, and steering system | All atmospheric temperature | N100 D transmission drive & hydraulic dual-purpose oil | GB443-84 |
| Grease fittings | All atmospheric temperature | No. 2 and No. 3 calcic lubricant | GB491-87 |
| Engine sump | Summer | No.40 diesel engine oil | GB5323-85 |
| | Winter | No.30 diesel engine oil | |
| Clutch release bearing | All atmospheric temperature | Lithium lubricant | GB5671-85 |

2、 Position

Oil inlet ①engine, ②right place of rear axle housing,
 ③air pump crankcase, ④left sleeve of front drive axle,
 ⑤oil case of steering system.

Grease fittings ①Left and right lift arms, ②center link,
 ③steering cylinder shaft with pin holes ④outer tie rod joints
 ⑤steering levers and steering arms

- ⑥front axle arms ⑦left and right front wheel housings

Checking point ①Engine dipstick ②Rear axle housing dipstick,

③Dipstick on left half shaft housing of front wheel drive axle

④Checking plug on the cover of air pump

Oil outlet, ①Bottom of engine sump, ②bottom of rear axle,

④bottom of air pump; ⑤bottom of front drive center housing, and
bootom of left and right retarder housing.

5.2 Periodic Service

According to accumulated working hours, technical maintenance of G2 series tractor should be operated every 10h, 50h, 200h, 400h, 800h or 1600h.

Details of the engine's maintenance can be refered in the manual of engine.

5.2.1 10h maintenance

1、 Engine

① Check the liquid level of engine sump, refill them if they are insufficient, and make sure the level will be between the middle notch and the topper notch on the dipstick. Never exceed the topper notch. A new tractor or one haven't used for a long time, the level must be checked again after filling and operating for 5 to 10 minutes.

② Fill in enough diesel oil and cooling water.

2、 Chassis

① Check and fasten every external linkage bolts and nuts.

② Use a press rod oil gun at these places: left and right retarder housing.

③ Check and eleminate if there is a leakage of oil, water or air. Clean off the dirt and mud on the tractor.

④ Check the air pressure of front and rear tires, and inflate if they are insufficient.

3、 Air Conditioning Systems

① Check cleaning condenser, and insure the radiating fins clean and expedite.

② Check the drive belt of compressor and engine, and insure it's not loose.

5.2.2 50h maintenance

1. Engine: After 50 hours of light load working, the oil in the engine sump and injection pump should be changed, at the same time, change the filter element; clean the sump, the filter and the filter net with clean diesel.
2. Transmission system: After using for 50 hours, it will be needed to check the free travel of the clutch pedal, and adjust it if necessary.
3. Accumulator: Check the accumulator of it's electrical power, charge it if it is not sufficient.
4. Use a press rod oil gun at these places: Left and right draft links, center link, tie rod joints, steering cylinder shaft with pin hole.
5. Air Conditioning System: Check the connecting parts and hose, repair or fix the parts when they are loose; check all the electrical connectors and wires, examine and repair them if they are deviant.

5.2.3 100h maintenance

1. Engine
 - ① Change the oil in the sump, clean the filter strainer.
 - ② Change engine oil and diesel filter elements, and clean the cavity of filter.
 - ③ Check the tension of fan belt, adjust it if loosed.
 - ④ Check the level of injection pump, refill it if needed.
 - ⑤ Clean the air filter and replace oil (Necessary to perform every time after working in wet and muddy conditions).
2. Clutch: Check the free travel, adjust it if necessary.

5.2.4 250h maintenance

1. Transmission ssystem: Check the oil level of chassis, refill it if needed.
2. Front axle: Check the toe-in and the bearings of front axle (Two wheel drive), adjust them is needed.
3. Accumulator: Smear Vaseline or calcic lubricant on the bolts of accumulator.

5.2.5 500h maintenance

1. Check the pressure and fogging quality of the engine oil pump, clean it if necessary.

2. Check and fasten the nuts of engine cylinder head, adjust the valve clearance if needed.
3. Clean the water scale in the cooling system.
4. Replace the oil of the injection pump.

5.2.6 1000h maintenance

1. Engine
 - ① Check the condition of the valve, repair it if necessary.
 - ② Check the advance angle of injection, make adjustment if necessary.
2. Transmission system: Change the lubricant one time a year at least.
3. Steering system: Check the lubrication of the steering cylinder, refill if it's not sufficient.
4. Check the electrical circuit completely, replaces all of the broken parts.

NOTE:

- (1) Operate these maintenance according to the schedule will help your tractor work normally.
- (2) The service interval is determined according to the condition of working and your experience.
- (3) Remember that, in any case, it is better to check too much than too little.
- (4) If you have any problem during the maintenance, contact your dealer or the after service.
- (5) Air Conditioning System: Refrigerant in air conditioning system will leak naturally, supply the refrigerant according to the leakage flux.

5.3 Transporting the Machine

5.3.1 Preparing for Road travel

Before transporting the machine, make sure you will be obeying all local rules and laws of the areas through which the machine will transported.

Confirm that the truck driver knows the clearance height before he drives away. See Specification Section for machine height figures.

The overall height does not include the truck/trailer height, add the two figures together

for the clearance height.

5.3.2 Before Using the Trailer/Transporter

1. Remove any dirt or debris from the trailer.
2. Check the operation of the park brake.
3. Check the trailer bodywork for signs of damage.
4. Check the tyre pressures are correct.
5. Check the lights are working and are the correct voltage for the towing vehicle.
6. Check the breakaway cable is serviceable

5.3.3 Loading a Machine onto the Transporting Vehicle

The safe transit of the load is the responsibility of the transport contractor and driver. Any machine, attachments or parts that may move during transit must be adequately secured.

Before moving the machine onto the trailer, make sure that the trailer and ramp are free from oil, grease and ice. Remove oil, grease and ice from the machine tyres. Make sure the machine will not foul on the ramp angle. See Static Dimensions in **SPECIFICATION** section for the minimum ground clearance of your machine.

The ramp should be long enough that the angles between the truck or trailer do not cause the machine components to catch when moving from ramp to truck or trailer. If loading on or near a slope, position the truck or trailer on the down side of the slope and the ramps should extend up the slope. This will minimize the ramp angle. The trailer or truck should be parked as level as possible to facilitate smooth loading of the machine.

Avoid sudden acceleration and deceleration of the unit when loading and unloading the unit to avoid the machine tipping backward.

Also we can use crane or other equipment to hoist tractor from earth to trailer.

5.3.4 Transporting the Machine

Use a heavy duty trailer or truck to transport the machine. Make sure the trailer or truck has all of the necessary lighting and markings as required by law.

When transporting the machine, make sure the three point linkage is raised, the park brake is applied, the wheels have been blocked, the machine has been securely fastened by cables, chains or ropes, and the trailer has been secured to the towing vehicle with safety chains.

Driving on a public street or roadway without turn signals, slow moving vehicle emblem, or reflective markings could lead to accidents causing serious personal injury or death.

⚠️Note: Keep the tractor in a dry place where the tractor is sheltered from the elements. Cover the tractor.

⚠️Note: If you want to use tractor after transporting, you must see **4.2.3 Operating the Engine**.

5.4 Storage

The tractor must be well stored after working or when it will not be used for a long time, so it can be protect from corrosion and deterioration.

5.4.1 Preparation for Storage

1. According to the manual of engine to store and maintain the diesel engine.
2. Thoroughly clean the tractor, especially the body parts, brush protective coating on the painted metal parts, store the tractor under cover and in dry and well-ventilated places.
3. Brush anti-rust paint on the unpainted metal parts.
4. Ensure that all controls are in neutral or off position (including the electrical switch and the parking brake).
5. Do not leave the key in the electric switch.
6. Fill the fuel tank to the topper level.
7. Remove battery, clean battery top and coat terminal clamps and leads with Vaseline or calcic lubricant, subsequently store the battery in dim and ventilated places with temperature remaining above 0°C.
8. Put stands or other supports under the front axle/front wheel drive axle and rear axle in order to bear the tractor weight. With the tractor being propped up, it is advisable to deflate tires.
9. Drain away thoroughly the water in radiator for passing away in the winter season.
10. Cover the tractor with waterproof canvas to prevent from dust or water.


Refer to the manual of engine for the storage of engine.

5.4.2 Tractor maintenance during storage

1. During the storage, check and protect the tractor from rust, corrosion, deterioration and deformation every month.
2. Start the tractor every 3 month, and run it at a low speed for 20 to 30 minutes, check if there is somewhere abnormal. Before start the engine, follow the request to add in coolant, diesel, oil and lubricant.
3. Check the condition of the accumulator. It's better to charge the battery every month for it will discharge when not be used.

5.4.3 Preparation after Storage

1. Remove the waterproof canvas, clean the tractor.
2. According to the request to fill with coolant, diesel, oil and lubricant.
3. Check the tire pressure and charge if it is not sufficient.
4. Check and charge the accumulator.
5. Check and tighten every external bolts and nuts, especially the bolts on the rear wheel hub, flywheel housing and clutch housing and so on. Check the condition of the pipeline and electrical facility, clear the problem if find.
6. Operate the tractor as chapter 4 required, if there is any problem, clear it immediately.

 Important: Refer to manual of engine to get information about the engine's moving from storage.

Chapter 6 Adjustment of the tractor

6.1 Adjustment of the engine

Details of the engine Adjustment can be approached in the manual of engine

6.2 Adjustment of the clutch

Because of abrading, the clearance between the release lever's head and the release bearing become small and small, even make the lever and the bearing connect and rotating together. As a result, the clutch can't work efficiently any more. So it should be check and adjust regularly.

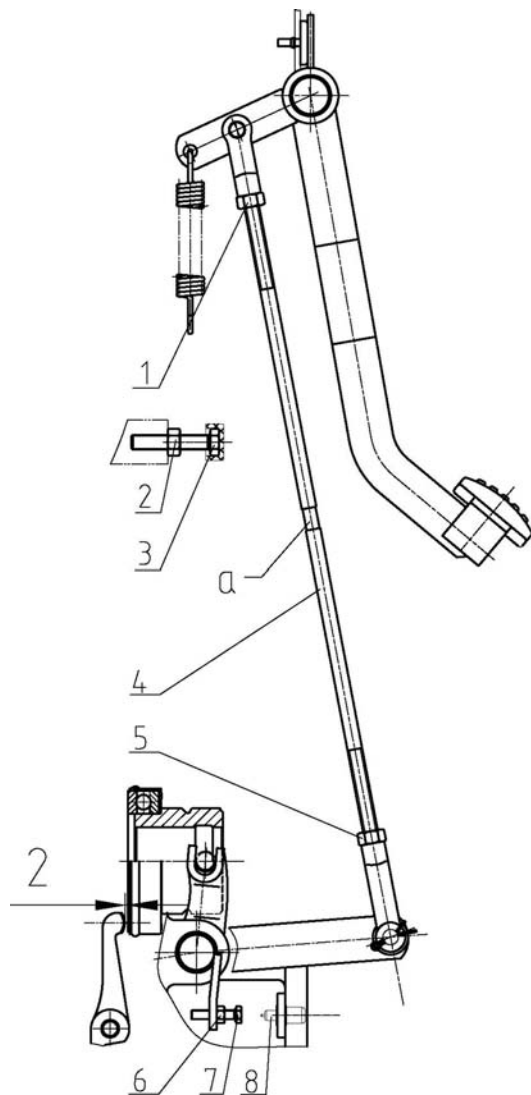


Fig.6-1

1. Adjusting nut
2. Adjusting nut
3. Clutch pedal hold down bolt
4. Clutch pull rod
5. Adjusting nut
6. Adjusting nut
7. Adjusting bolt
8. Security switch

304G2 SERIES TRACTOR OPERATION MANUAL

As Fig.6-2 shows, when assembling the clutch, make sure the clearance between release bearing and release rod be 2mm, namely the clutch pedal free path should be about 25mm.

When adjusting,as first,unscrew the adjusting nut 1 and 5, adjust the Clutch pull rod with a wrench at the position of mark 'a'to insure the pedal free path to be in the stated range, tighten the adjusting nut 1 and 5, then adjust the Clutch pedal hold down bolt3 to make sure the clearance between release bearing and release rod,and adjust the adjusting bolt 7 to make sure the Security switch is in the open position at the same time, at last, tighten the adjusting nut 2 and 6.

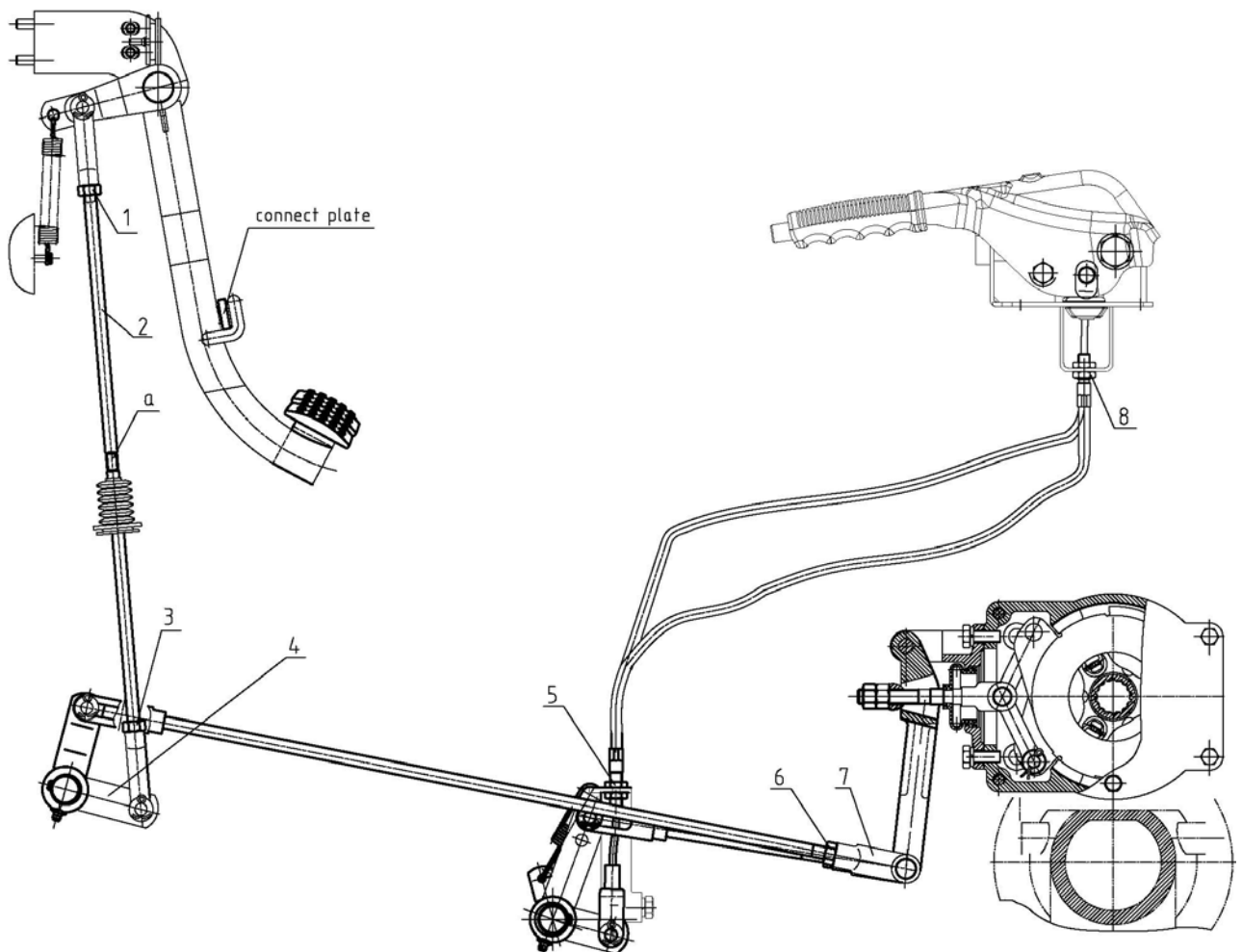


Fig 6-2

1. Adjusting nut A 2. Brake pull rod 3. Adjusting nut B 4. Connect cannula 5. Adjusting nut C
6. Adjusting nut D 7. Pull rod head part A 8. Adjusting nut E

6.3 Adjustment of the Brake

The free path of the brake pedal is between 80 and 85mm. During the usage, as the driven disk abrading, the free path exceeds the regular range, even influence braking, so it must be adjusted.

6.3.1 Adjustment of service braking system

Before regulating, disconnect the connect plate, and adjust the free path of every pedal. When adjusting, first, unscrew the adjusting nut A and B, adjust the Brake pull rod with a wrench at the position of mark 'a' to insure the Connect cannulato be in the right angle.

Then, bring down the split pin and shaft, unscrew Adjusting nut D, rotating the Pull rod head part A to regulate the length of the pull rod, so make the free path of every pedal to be about the same and between 80 and 85mm, after that, fasten the nut A、B、D.

After adjusting the pedal, the tractor must be test at the highest speed on the dry flat, and then try to brake urgently. After that, check the tire print lengths. Make sure the difference between left one and right one doesn't exceed 400mm. If it fails to reach the request, adjust again.

6.3.2 Adjustment of parking braking system

Before regulating, bring down the split pin and shaft, then screw the nut C and E, making the clevis of flexible line fit with the brake rocker hole, and then fasten the nuts.

After adjusting the flexible line, the tractor must be immovable on any ramp when using the parking braking system. If the tractor have a remotion, adjust again.

6.4 Adjustment of the Rear Axles

In order to assure the reliable working of main drive, the spiral-bevel pinion and spiral crown gear should be assembled with a mated pair and adjusted to right position for reasonable engaging. In operating, if normal engagement position is disrupted due to bearing's damage or other reasons, it must be adjusted again after replacing the damaged bearing with a new one or fixing up other troubles. As to the assembling diagram of the main drive, please refer to Fig. 6-3.

While assembling the spiral-bevel pinion and the spiral crown gear, the pre-stress of the bearings in main drive has to be correctly established first, and the meshing of the pinion and crown gear could be then adjusted.

As to the spiral bevel pinion, its pre-stress of bearings is to be adjusted by screwing down the Locking nut (2). The torque to be applied for turning the spiral-bevel pinion should be kept between 1.176~1.764 N. m.

after the assembling is completed. If the torque can't be measured by a specific apparatus, then it must be adjusted by an

experienced people. After adjusting is made, the locking nut (4) must be tightened, and the angles of check shim (3) should be pulled down into slots of the two lock nuts respectively. The axial position of the spiral-bevel pinion is to be adjusted by adding or deducting the adjusting shims (1), the pinion will go forwards if the adjusting shims (1) are added, the pinion will withdraw if the adjusting shims (1) are deducted.

The adjustment of crown gear is realized by altering the Adjusting shims (7) on the left and right Bearing seats (8). While adding or reducing the adjusting shims (7) of same thickness to or from either bearing seat, the pre-stress of bearings is alternated but the crown gear position will be kept unchanged; if moving the Adjusting shim (7) from one bearing seat to the another one, the crown gear will be shifted towards the side where the Adjusting shim (7) is added but the pre-stress of bearings will remain unchanged.

The pre-stress of the spiral crown gear bearings should be kept between 1.2~1.8 N. m.

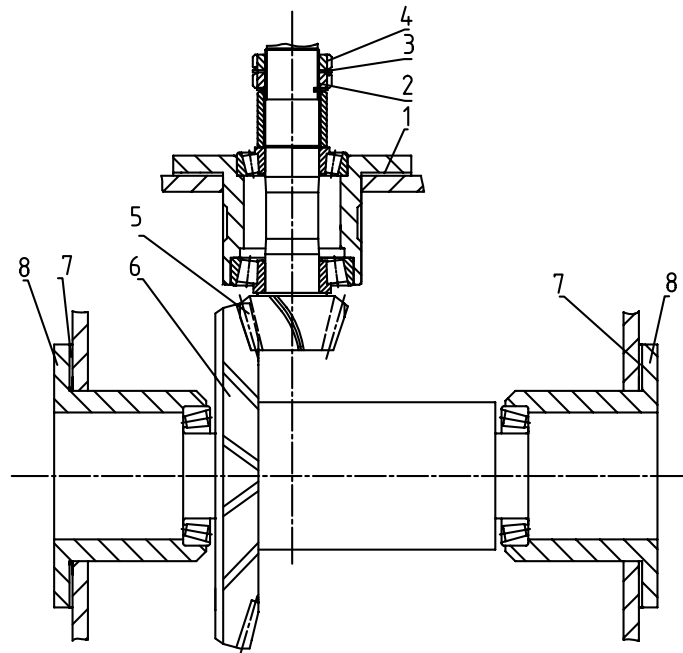


Fig. 6-3 Main drive mounting diagram

1. Adjusting shims of pinion gear 2. Locking nut 3. Check washer 4. Locking nut 5. Pinion gear 6. Crown gear 7. Adjusting shim of crown gear 8.

The meshing zone can be measured by smear test of painting the crown gear teeth with some colors such as red lead or Prussian blue. The standard meshing zone should drift to small end slightly (i.e. short toe contact, see Fig. 6-4). The meshing zone position could be alternated through adding or deducting the adjusting shims of the spiral-bevel pinion and the

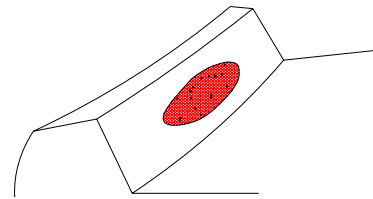


Fig.6-4

mated spiral crown gear as well. The print on crown gear shall be taken for evaluation, no matter the print is on convex surface or concave surface. After having made the adjustment, the gear backlash should range from 0.15~0.30 mm.

In order to ensure the reliable of the main drive, the spiral bevel pinion and the spiral crown gear should be a matched pair when assembling, at the same time, they should be adjusted correctly to approach the right meshing zone. The position must be adjusted when the gears or the bearings are abraded.

If chippings from the pinion teeth surface of final drive are found after disassembling the rear axle, then the pinions of left final drive gears and right one should be exchanged, which may prolong their service life.

6.5 Adjustment of the Front Axle (4WD)

To insure the reliability of the front axle bevel transmission, assembled pinion and crown gears(see fig 6-5 and 6-6) should be a pair of match. And they should get to the proper mashing zone. During the usage, the gears must be adjusted when the bearings and gears abraded .

6.5.1 Adjustment of the pre-stress of the spiral bevel pinion bearings (See Fig. 6-5)

The two bearings 5 and 7 on the Bevel drive pinion should be pre-stressed.The pressure is adjusted by screw the Locking nut 1.It has been adjusted to the proper pressure by the factory,and will not be adjusted again only when the bearings 5 and 7are changed or this part needs a repair.When adjusting, remove the split pin,screw down the Locking nut 1, the torque to be applied for turning the Bevel drive pinion should be kept between 1~

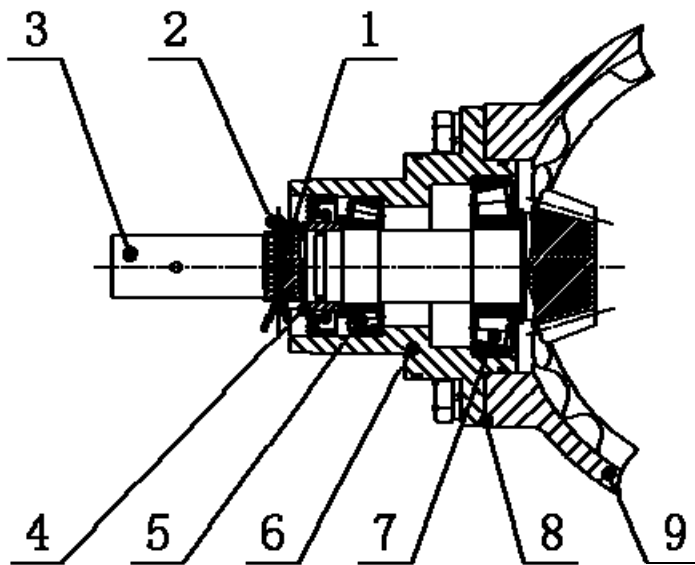


Fig.6-5

1. Locking nut
2. Split pin
3. Bevel drive pinion
4. Adjusting shims
5. Taper roller bearing I
6. Bearing seat
7. Taper roller bearing II
8. Shims for bearing seat
9. Main drive case

1.5 N.m. If there is no equipment or tool can be used to measure the torque, ask somebody who is experienced for help. After adjusting is made, the locking nut 1 must be tightened, and the Split pin 2 must be pulled down into slot of the Locking nut 1. It can realize by changing the thickness of the Adjusting shims 4.

6.5.2 Adjustment of the pre-stress of Differential assemble bearings (See fig.6-6)

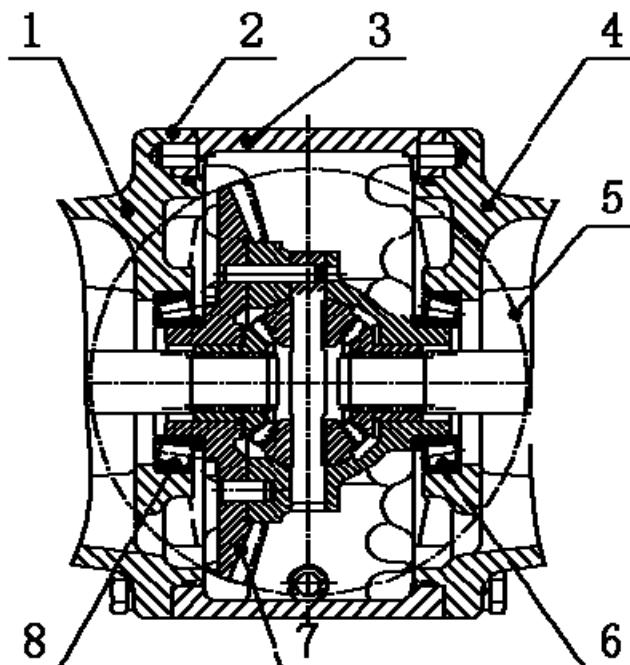


Fig.6-6

1. Left half shaft housing
2. Shims for main drive case
3. Main drive case
4. Right half shaft housing
5. Differential assemble
6. Taper roller bearing III
7. Crown gear
8. Taper roller bearing IV

The two bearings 6 and 8 on the Bevel drive pinion should be pre-stressed. The adjustment of Bevel drive pinion is realized by altering the Adjusting shims on the left and right. When adding or reducing the adjusting shims of same thickness to or from

either bearing seat, the pre-stress of bearings is alternated but the crown gear position will kept unchanged; if moving the Adjusting shim from one bearing seat to the opposite one, the crown gear will be shifted towards the side where the Adjusting shim is added but the pre-stress of bearings will remain unchanged. The pre-stress of the spiral crown gear bearings should be kept between 1~1.5 N. m.If there is no equipment or tool can be used to measure the torque, ask somebody who is experienced for help.

6.5.3 Adjustment of the spiral bevel pinion and spiral bevel crown gear

Because of the abrasion of the gears and bearings, the clearance increases. As a result, the gears can not work in the correct meshing zone. There is no necessary to adjust only when it affects the gears working normally or the bearings and the bevel gears need to be replaced or the assemblage needs to be repaired. (The adjusting needs to be done after the bearings have been fastened.)

(1) Checking the clearance between the teeth

Make sure the clearance of the pinion and crown gears at the state-range. Only when the clearance is large enough, it should be adjusted. When adjusting, bring down the back seat, put a lead piece between the teeth of pinion and crown gears. The lead piece will be pushed to transform. Then measure the thickness of lead piece near the big end. The proper clearance changes from 0.16 to 0.32mm. Measure it for 3 times and at 3 point which equally at the circle. The difference between them should be less than 0.1mm. If it failed to reach the request, adjust the thickness of Shims for bearing seat 8 in fig.6-5 or Shims for main drive case 2 in fig. 6-6. At last, put all of the components on.If the clearance is too large,you can decrease the thicknessof Shims for bearing seat 8 or Shims for main drive case 2, but it's important to note that you must move the Adjusting shim from one side to the opposite side, then the crown gear will be shifted towards the side where the Adjusting shim is added but the pre-stress of bearings will remain unchanged.

(2) Checking the meshing zone

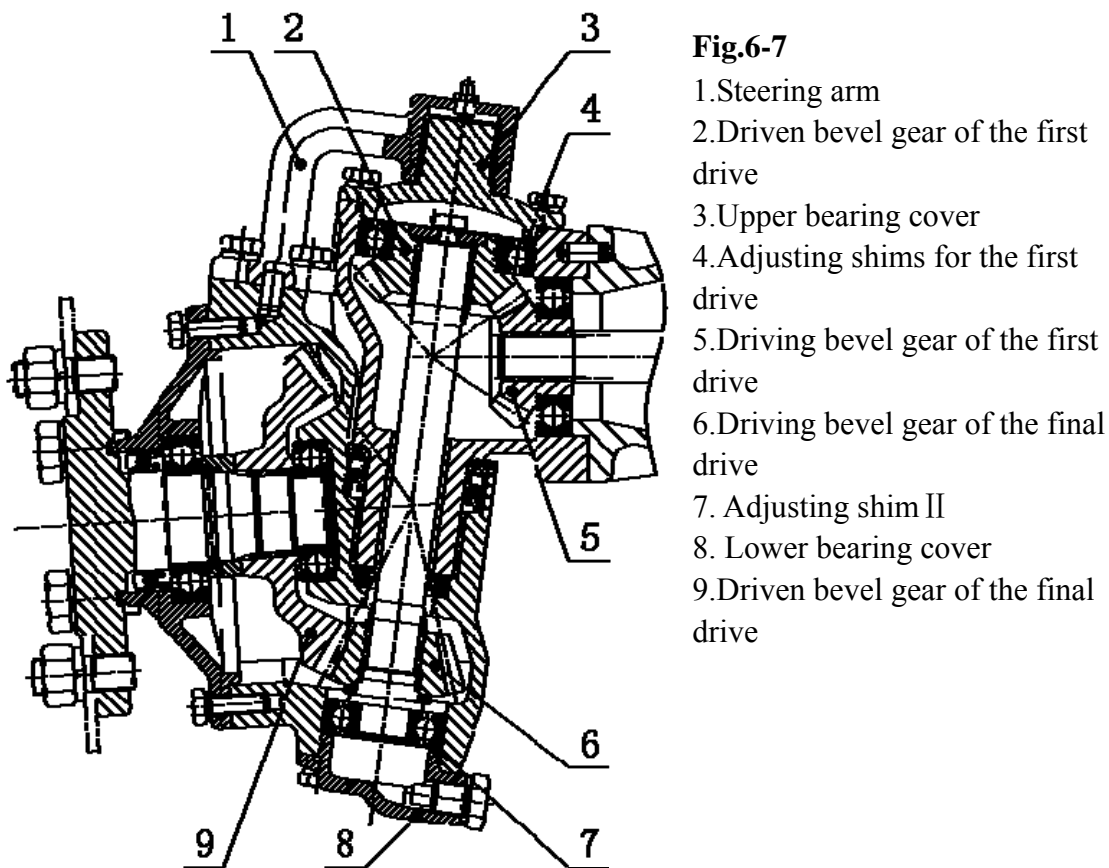
The meshing zone can be measured by smear test, painting the crown gear teeth with some colors such as red lead or Prussian blue,then rotate the Bevel drive pinion,get the meshing zone.The standard meshing zone should be in the middle of all the teeth face and deflecting to small end of teeth slightly. It's length at least equal to 55% of the

width, and it's height equal to at least 55% of the tooth's height. If the meshing zone doesn't accord with the proper position, adjust the thickness of the Shims for bearing seat .

During the adjustment, when it has the proper meshing zone, but without the correct clearance, or on the other way, it should be better to get the proper meshing zone, with the clearance not less than 0.16mm.

6.5.4 Adjustment of front axle final transmission

There are two couples of gears in the front axle final transmission as Fig.6-7 shows, one couple is piece 2, 5 and another is piece 6, 9. They have been adjusted in the factory, generally, there is no need to adjust them by the users unless replacing the bearings and



gears or do some repairs. The two couples have the same way to be adjust, here will give the example.

Before adjusting, bring down the tire, raise the front axle.Remove the steering arm 1 and upper bearing cover 3, adjust the clearance between driven bevel gear of the first drive and Driving bevel gear of the first drive through changing the thickness of

Adjusting shims for the first drive. Generally, the clearance is between 0.16 to 0.3mm.

After the adjustment, reinstall all of the components.

⚠ Caution: It's better to ask someone professional to finish the work.

6.6 Adjustment of the toe-in

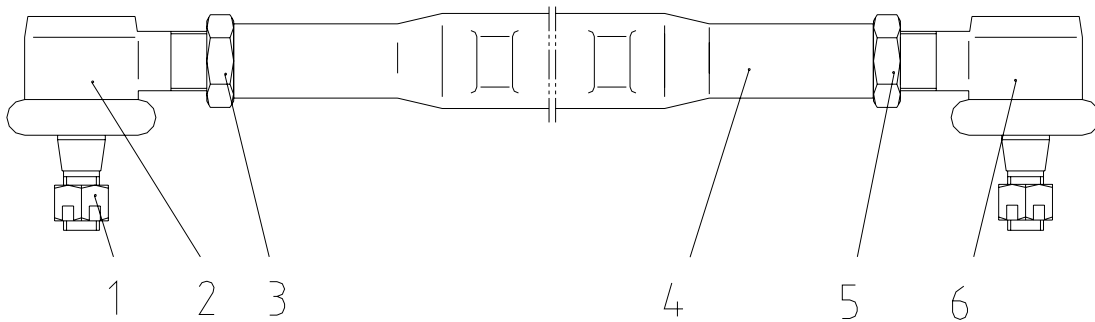


Fig 6-8

- | | | |
|----------------------|----------------------|---------------------|
| 1. Nut | 2. Pull rod tie-in | 3. Left-helical nut |
| 4. Assistant tie rod | 5. Right-helical nut | 6. Pull rod tie-in |

After working for 500 hours, or the front wheels sways obviously, or the tire of front wheels abraded quickly, the tie-in needs to be checked. The proper tie-in is between 4 and 8 mm, it must be adjusted as well as it exceeds the range. When adjusting, put the tractor on the flat place, at the same time; turn the steering wheel to the mid position to make the wheels straight. Then loosen the left & right helical nut (3) and (5), rotate assistant tie rod (4). Measure the front and rear distances between two steering wheels at the same height of the front wheels shaft through the center of steering wheels. Adjust the assistant tie rod till the front distance is around 4 ~ 8 mm less than the rear distance ($B_{\text{rear}} - B_{\text{front}} = 4 \sim 10 \text{ mm}$). Tighten both of the nuts at last.

⚠ Attention: After adjusting, the left and right adjusting nut (3) and (5) must be screw down!

6.7 Adjustment of the wheel track

This series tractor can not adjustment the wheel track ,The front wheel track is 1100mm and the rear wheel track is 1250mm.

Chapter 7 Troubleshooting

Abration, deformation and improper servicing contribute to a technical change of the components. Then it will cause troubles. At this time, the tractor must be checked and get rid of them. If failed to do this, the conditions may be worse, even result in an accident.

This chapter stress on the troubleshooting of chassis and electrical system. Details about the engine troubleshooting will be showed in the operator's manual of engine.

7.1 Clutch

| Troubles & possible causes | Fixing methods |
|---|---|
| (1) Clutch slip ① The clutch disk or clutch plate is stained with oil. ② Abrasion to clutch disk is uneven or the abrasion is serious. ③ The free path is not enough or no free path. ④ The driven disk is deformed. | ① Wash them clean with gasoline, and eliminate the oil leakage ② Replace the clutch disk ③ Readjust in accordance with the requirement ④ Replace the driven disk |
| (2) Clutch cannot be separated completely ① The pedal's free path is too large, and the working path is too small. ② The driven disk warps too much. ③ The release finger of diaphragm spring are not at the same plane | ① Adjust the pedal free travel as specified ② Rectify or replace with a new one ③ Replace |
| (3) The tractor is shivering at starting ① The friction disk and the driven disk are stained with oil ② The friction disk broke up ③ The driven disk warps | ① Clean friction disk and driven disk ② Replace ③ Replace |
| (4) There is vibration and noise in the clutch ① Releasing bearing is lacking of oil or broken ② The spline of driven disk or the clutch has been weared out | ① Oiling or replacing ② Replacing |

7.2 Gearbox

| Troubles & possible causes | Fixing methods |
|--|---|
| <p>(1) There are hum or slap noises in the gearbox</p> <ul style="list-style-type: none"> ① The gear abraded heavily, or the tooth face peels off, or the gear teeth are broke ② Bearing abraded seriously or damaged ③ Improper clearance of bevel transmission ④ Lubricating oil is not enough or does not conform to the requirement | <ul style="list-style-type: none"> ① Replace gear ② Replace bearing ③ Adjust ④ Fill in enough oil, or replace lubricating oil |
| <p>(2) It is difficult to gear, or unable to gear on</p> <ul style="list-style-type: none"> ① The clutch does not separated completely ② Mesh sleeve end face and gear end face are abraded seriously, or damaged | <ul style="list-style-type: none"> ① Remedy as per clutch troubles ② Replace or repair |
| <p>(3) The gear disconnects itself</p> <ul style="list-style-type: none"> ① Poking fork positioning slot is worn seriously ② Interlock pin spring pressure isn't enough ③ Spline of teeth seat are worn | <ul style="list-style-type: none"> ① Adjust or replace poking fork shaft ② Adjust or replace the spring ③ Replace teeth seat |

7.3 Rear axle

| Troubles & possible causes | Fixing methods |
|--|--|
| <p>(1) Noise increased in the bevel transmission</p> <ul style="list-style-type: none"> ① Bearing clearance of the small helical bevel is too large ② Gear engagement is abnormal ③ Differential shaft abraded and seized ④ The planetary gear or washer abraded ⑤ Differential bearing abraded or damaged | <ul style="list-style-type: none"> ① Adjust ② Adjust ③ Replace ④ Replace gear or washer ⑤ Replace bearing |
| <p>(2) Bearings of helical bevel pinion and differential shaft are with high temperature</p> <ul style="list-style-type: none"> ① Pre-tension is too much ② Poor lubrication | <ul style="list-style-type: none"> ① Adjust ② Check oil level, replenish if need |

7.4 Braking system

| Troubles & possible causes | Fixing methods |
|--|--|
| (1) Brake fails ① The brake disk is worn seriously, or worn eccentrically. ② Free path of brake pedal is too large | ① Put air out of pipe ② Readjust |
| (2) Tractor steer wander during braking ① The left and right brake pedals' free pathes are different ② The brake disk is damaged in one side ③ Air pressures in the two rear tires are different | ① Adjust ② Replace ③ Check up and air up the tires as per regulation |
| (3) The tractor is shivering at starting ① The brake pedals' free pathes is too small ② Return spring's pressure is too small | ① Adjust ② Replace |
| (4) The brake cannot be separated completely and resulting in heat ① Grip brake still under operational ② The brake pedals' free pathes is too small | ① Loosen the grip brake ② Adjust |

7.5 Front driven axle (4WD)

| Troubles & possible causes | Fixing methods |
|--|---|
| (1) The front tires are worn seriously ① The front wheel rim or supporter deformed seriously ② The front wheel toe-in adjust improperly ③ The steering knuckle and two pins of oil cylinder are worn seriously ④ The air pressure is insufficient and the front axle is engaged when transporting | ① Correct them ② Adjust tor-in ③ Replace pintles ④ Checkup and air up and disconnect |
| (2) The front wheels are swaying ① Bearing of front driven axle is abraded heavily ② Bearing of steering knuckle is abraded heavily ③ Clearance of front and rear supporting seat is too large ④ The front wheel rim deformed seriously ⑤ The front wheel toe-in adjust improperly | ① Replace ② Replace ③ Adjust ④ Correct ⑤ Adjust |

304G2 SERIES TRACTOR OPERATION MANUAL

| | |
|---|--|
| ⑥ Steering ball is abraded seriously | ⑥ Replace |
| (3) Too big noise ① Front bevel transmission gear engage badly ② Bevel transmission bearing clearanced is too large or the bearing is broken ③ Differential shaft are worn or damaged ④ Planetary gear or washer are abraded ⑤ Final transmission bevel pair engage badly | ① Adjust ② Adjust or replace ③ Replace ④ Replace ⑤ Replace or change the number of adjusting washers |

7.6 Walking system

| Troubles & possible causes | Fixing methods |
|---|---|
| (1) The front wheels are swaying ① Clearance of front wheel shaft bearing is too large ② Ball joint is abraded heavily ③ The front wheel toe-in adjust improperly ④ The front wheel rim deformed seriously | ① Adjust to the request ② Replace ③ Adjust ④ Correct |
| (2) The front tires are worn quickly ① The front wheel toe-in adjust improperly ② The pressure of front tires is improper ③ Mistaking the direction of the tread pattern | ① Adjust ② Charge the tires correctly ③ Reinstall |

7.7 Hydraulic steering system

| Troubles & possible causes | Fixing methods |
|--|--|
| (1) Oil leaks ① Bolt at the pipe joint loose ② Rubber ring at the pipe joint or crankshaft journal is broken ③ The washer is uneven or broken | ① Fasten the bolt ② Replace ③ Replace |
| (2) Steering is too heavy ① Great pump supply oil insufficiently, inside leak or filter net in the oil case blocked. ② Air in the steering system, oil with foam ③ Steering oil case supply oil insufficiently | ① Checkup pump and clean filter net ② Eliminate air and checkup ③ Replenish oil to specified level |

304G2 SERIES TRACTOR OPERATION MANUAL

| | |
|--|---|
| <ul style="list-style-type: none"> ④ The oil is too gummy ⑤ Ball valve is no of efect, and steer wheel work heavily when steer quickly or slowly, and steer powerlessly ⑥ Steer system leak include inside or outside leak ⑦ Safety valve <ul style="list-style-type: none"> a) Safety valve spring become weak b) The valve is plugged up with dirt c) The spring of the valve become weak or the ball is ineffective | <ul style="list-style-type: none"> ④ Replace ⑤ Check and fix ⑥ Checkup and eliminate ⑦ Clean and adjust |
| <p>(3) Steering failed</p> <ul style="list-style-type: none"> ① Poke pin broken or deformed ② Interlink shaft open end broken or deformed ③ Rotor and interlink shaft position misplace each other ④ Steering oil case piston is damaged | <ul style="list-style-type: none"> ① Replace poke pin ② Replace interlink shaft ③ Reinstall ④ Replace |
| <p>(4) The steering wheel can't return back</p> <ul style="list-style-type: none"> ① The steering shaft isn't concentric with the rotor ② The steering shaft push the rotor to ineffective ③ The steering shaft isn't concentric with the steering column, steering moment is too large ④ The return spring is broken | <p>Checkup and eliminate</p> |
| <p>(5) Turn the steering wheel slowly, steering force will be light, or it will be heavy</p> <p style="padding-left: 40px;">The flux of constant pump is too small</p> | <p>Check and adjust</p> |

7.8 PTO

| Troubles & possible causes | Fixing methods |
|---|--|
| <p>(1) PTO dosen't work</p> <ul style="list-style-type: none"> ① The button of PTO is broken ② There is something wrong with the circuit ③ The valve is broken ④ PTO hasn't been put into gear | <ul style="list-style-type: none"> ① Check the button ② Check the circuit ③ Replace ④ Put it into gear |

304G2 SERIES TRACTOR OPERATION MANUAL

| | |
|---|---|
| <p>(2) The PTO has no power</p> <ul style="list-style-type: none"> ① The driven plate lining in the hydraulic clutch abraded heavily or the abrasion lean to one side ② The valve is broken ③ The hydraulic clutch leaks heavily | <ul style="list-style-type: none"> ① Replace ② Replace ③ Replace |
| <p>(3) The PTO can't be separated completely</p> <ul style="list-style-type: none"> ① The button is broken ② The driven plate lining in the hydraulic clutch has been locked up ③ Return spring of the hydraulic clutch is broken | <ul style="list-style-type: none"> ① Check the button ② Check and repair ③ Replace |

7.9 Hydraulic Hitch System

| Troubles & possible causes | Fixing methods |
|---|--|
| <p>(1) Cannot lift whenever light load or heavy load</p> <ul style="list-style-type: none"> ① Oil returning valve block at open position ② Gear pump does not work <ul style="list-style-type: none"> a) Oil level in the lifter is too low b) Filter net blocked seriously | <ul style="list-style-type: none"> ① Check and clean valve ② <ul style="list-style-type: none"> a) Replenish oil to specified level b) Clean or replace net |
| <p>(2) Lift up if light load,unable lift or lift slowly when with heavy load</p> <ul style="list-style-type: none"> ① Gear pump abraded seriously ② Any of the valves leaks ③ Seal rings of the oil intake pipe or the pump is broken | <ul style="list-style-type: none"> ① Fix or replace the pump ② Check, clean and repair it ③ Replce |
| <p>(3) Implement shivering during lifting, Static sink goes fast</p> <ul style="list-style-type: none"> ① Distributor single direction valve seal poorly ② Sink valve seal poorly ③ Oil cylinder safety valve leak ④ The hydraulic output has been jammed to seal badly ⑤ Sink speed control valve is damaged to leak ⑥ O ring of oil cylinder piston damage to leak | <ul style="list-style-type: none"> ① Clean and repair if needed ② As the same ③ As the same ④ As the same ⑤ Replace ⑥ Replace |

304G2 SERIES TRACTOR OPERATION MANUAL

| | |
|---|---|
| <p>(4) Sink speed of the implement is normal, but it can't reach the toppest position or exceed the toppest position Extension rod is too short or too long</p> | Adjust the length |
| <p>(5) Implement cannot be put down</p> <ul style="list-style-type: none"> ① Main control valve blocked ② Sink valve blocked ③ Sink speed control valve is screwed too much ④ Rapid lift lever is flexural | <ul style="list-style-type: none"> ① Clean it ② Clean it ③ Loose it ④ Adjust the rapid lift lever backwards |

7.10 Electrical system

| Troubles & possible causes | Fixing methods |
|--|---|
| <p>(1) Accumulator doesn't have enough power</p> <ul style="list-style-type: none"> ① Pillar plate sulfurized seriously ② There is something wrong with the generator or regulator ③ Wire connect unwell | <ul style="list-style-type: none"> ① Charge again and remove the sulfuration ② Check the generator or regulator ③ Check and repair |
| <p>(2) The temperature of the accumulator is too high Current is too large</p> | Check and adjust |
| <p>(3) The generator does not generate power Rotor coil broken</p> | Check and repair |
| <p>(4) The generator does not charge enough or charge unsteadily</p> <ul style="list-style-type: none"> ① Transmission V belt looses, making generator rate decline ② oint of the wire looses ③ Carbon is broken ④ Regulator is damaged | <ul style="list-style-type: none"> ① Adjust ② Fasten the bolt ③ Check and repair ④ Check and repair |
| <p>(5) There is a noise in the generator</p> <ul style="list-style-type: none"> ① The generator is installed incorrectly ② Bearing of generator is broken ③ The rotor meet with the stator or something else | <ul style="list-style-type: none"> ① Reinstall ② Replace ③ Repair |
| <p>(6) The starter motor does not work</p> <ul style="list-style-type: none"> ① The wire is broken or wire joint dosen't connect correctly ② The fuse is broken ③ Battery volume is insufficient | <ul style="list-style-type: none"> ① Weld or replace the wire, clean the dirt and fasten the bolt ② Replace ③ Charge the battery |

304G2 SERIES TRACTOR OPERATION MANUAL

| | |
|--|---|
| <ul style="list-style-type: none"> ④ The carbon brush and the commutator contact poorly ⑤ Starter motor is broken or shorten | <ul style="list-style-type: none"> ④ Check and adjust carbon brush spring pressure ⑤ Check and repair |
| <p>(7) The starter motor starts weakly, and cannot start the engine</p> <ul style="list-style-type: none"> ① Bearing abraded seriously and pivot touch housing ② The carbon brush and the collector contact poorly ③ The commutator surface is burnt or stained with oil ④ Wire connect unwell ⑤ The main touch point of electromagnetic switch burnt out, and have poor contact ⑥ Battery volume is insufficient | <ul style="list-style-type: none"> ① Replace bearing ② Adjust ③ Clean the oil and grind by “0” model non metal sand paper ④ Fasten joint ⑤ Grind by “0” model non metal sand paper ⑥ Recharge |
| <p>(8) Starter motor continue rotate when motor had started</p> <ul style="list-style-type: none"> ① Copper disk in the motor relay keep link with two touch points ② Distance of the copper disk in the motor relay is improper | <ul style="list-style-type: none"> ① Check and repair ② Adjust |
| <p>(9) The starter motor rotate before the gears are engaged, and cause the gear end hit each other</p> <p>Distance of the copper disk in the motor relay is too small</p> | <p style="text-align: center;">Adjust</p> |

Chapter 8 Appendix

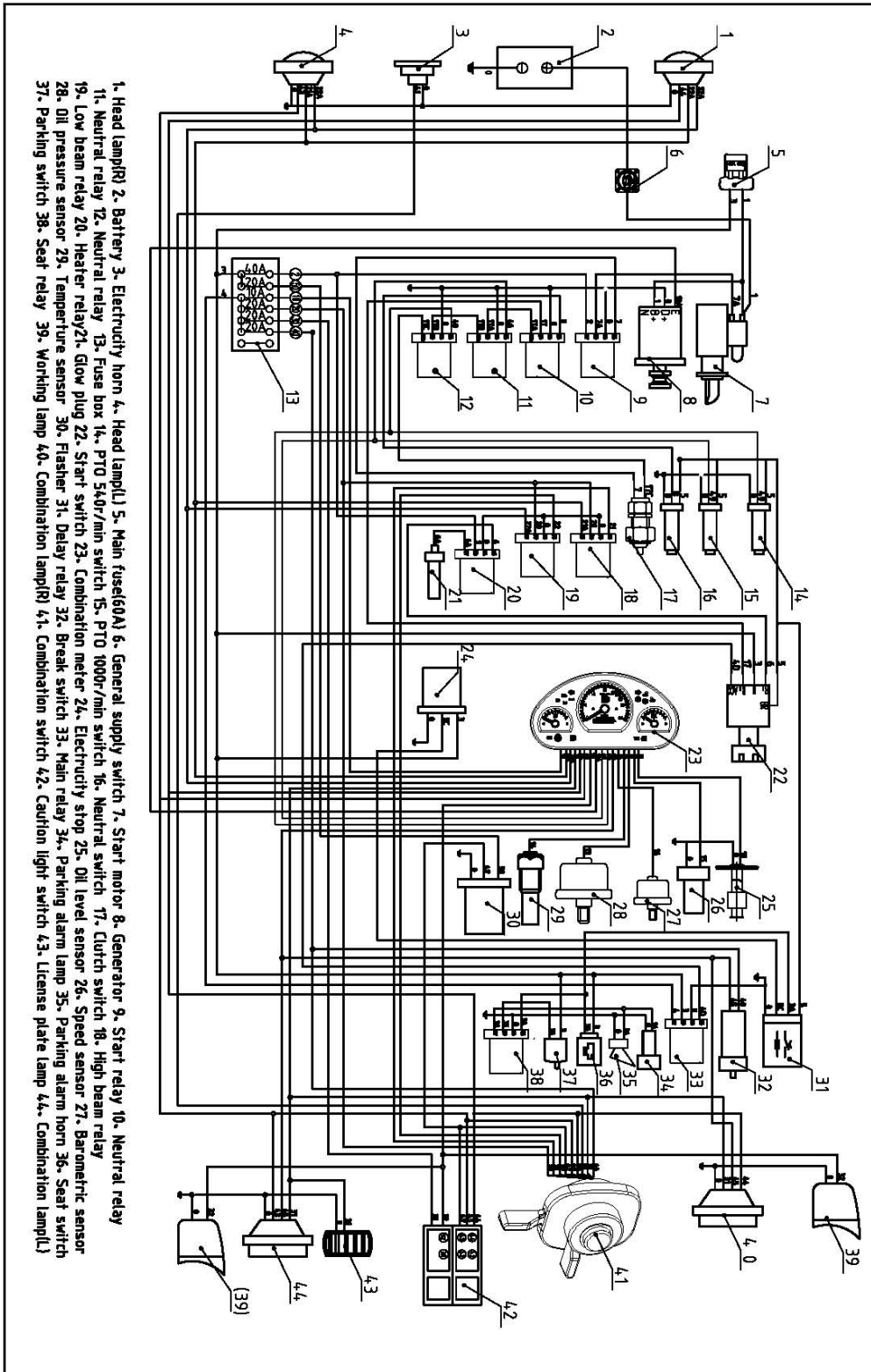
Appendix 1 Standards and Regulations

| NO. | Standard NO. | Name of standard |
|-----|-------------------|--|
| 1 | Q/3204BYN008 | DF25-45G2 系列轮式拖拉机 DF25-45G2 series wheeled tractor |
| 2 | (EU) No 167/2013 | On the approval and market surveillance of agricultural and forestry vehicles |
| 3 | (EU) No 1322/2014 | supplementing and amending Regulation (EU) No 167/2013 of the European Parliament and of the Council with regard to vehicle construction and general requirements for the approval of agricultural and forestry vehicles |
| 4 | (EU) 2015/68 | supplementing Regulation (EU) No 167/2013 of the European Parliament and of the Council with regard to vehicle braking requirements for the approval of agricultural and forestry vehicles |
| 5 | (EU) 2015/96 | supplementing Regulation (EU) No 167/2013 of the European Parliament and of the Council as regards environmental and propulsion unit performance requirements of agricultural and forestry vehicles |
| 6 | (EU) 2015/208 | supplementing Regulation (EU) No 167/2013 of the European Parliament and of the Council with regard to vehicle functional safety requirements for the approval of agricultural and forestry vehicles |
| 7 | (EU) 2015/504 | implementing Regulation (EU) No 167/2013 of the European Parliament and of the Council with regard to the administrative requirements for the approval and market surveillance of agricultural and forestry vehicles |
| 8 | GB10395.1-2001 | 农林拖拉机和机械 安全技术要求 第一部分 总则 Tractors and machinery for agriculture and forestry--Technical means for ensuring safety--Part 1:General |
| 9 | GB15369-2004 | 农林拖拉机和机械 安全技术要求 第3部分: 拖拉机 Tractors and machineryfor agriculture and forestry--Technical means for ensuring safety--Part 3:Tractors |
| 10 | GB/T15370-2004 | 农业轮式和履带拖拉机 通用技术条件 General requirement of agriculturalwheeled tractors and crawler tractors |
| 11 | GB16151.1-2008 | 农业机械运行安全技术条件 第1部分: 拖拉机 Technical requirements of operating safety for agricultural machinery - Part 1: Tractor |
| 12 | JB/T6702-2004 | 拖拉机产品图样及设计文件编号规则 code rule for tractor part drawings and designing files |

Appendix 2 Tightening Torque Table of Main Bolts and Nuts

| No. | Installation position | specifications | Tightening torque(N·m) | Intensity grade |
|------------|---|-----------------------|-------------------------------|------------------------|
| 1 | Connecting bolt for engine and clutch housing | M10 | 41~51 | Grade 8.8 |
| 2 | Connecting bolt and screw for clutch housing and gearbox housing, gearbox housing and rear axle housing, rear axle housing and lifter housing | M12 | 73~89 | Grade 8.8 |
| 3 | Connecting bolt and screw for final transmission housing and gearbox housing | M12 | 73~89 | Grade 8.8 |
| 4 | Connecting bolt for differential housing | M10 | 41~51 | Grade 8.8 |
| 5 | Connecting bolt for spiral bevel gear and differential housing | M10×1 | 46~56 | Grade 8.8 |
| 6 | Connecting bolt for bearing seat of spiral bevel pinion and rear axle housing | M12 | 60-70 | Grade 8.8 |
| 7 | Connecting bolt for differential gear shaft housing and rear axle housing | M12 | 73~89 | Grade 8.8 |
| 8 | Bolt for steering box | M14 | 120~140 | Grade 8.8 |
| 9 | Connecting bolt for driving axis housing | M16 | 50~60 | |
| 10 | Connecting bolt for driving wheel hub and support-hell | M16 | 200~240 | |
| 11 | Connecting bolt for front wheel hub and support-hell | M18×1.5 | 243~285 | Grade 8.8 |

Appendix 3 Scheme of the electric system



304G2 SERIES TRACTOR OPERATION MANUAL

Appendix 4 List of damageable parts

| No. | Code | Name | Qty. | Remarks |
|-----|---------------|-------------------------|------|---------|
| 1 | 404-11.48.020 | Left headlights | 1 | |
| 2 | 404-11.48.021 | Right headlights | 1 | |
| 3 | 404-11.48.022 | Left tail lamps | 1 | |
| 4 | 404-11.48.023 | Right tail lamps | 1 | |
| 5 | 804-6.48.024 | Working lights | 2 | |
| 6 | 504G3.48.021 | S116 Turn signal lights | 2 | |
| 7 | 504G3.48.025 | Fuse box | 1 | |
| 8 | 504G3.47.015 | Windshield | 2 | |
| 9 | | Rearview mirror | | |
| 10 | 804-6.58.025 | Oil filter | 1 | |

Appendix 5 List of Attached Tools

| No. | Code | Name | Qty. | Remarks |
|-----|-------------|---------------------------------|------|----------|
| 1 | GB3390.1-89 | Socket head S=13 | 1 | |
| 2 | | Socket head S=16 | 1 | |
| 3 | | Socket head S=18 | 1 | |
| 4 | | Socket head S=24 | 1 | |
| 5 | GB3390.2-89 | Square coupler S=12.5 | 1 | |
| 6 | | Tommy bar L=300 | 1 | |
| 7 | | Square drive with extension bar | 1 | |
| 8 | | double-ended wrench 8×10 | 1 | |
| 9 | GB4440-94 | double-ended wrench | 1 | |
| 10 | GB4953-85 | Slip joint plier 150mm (6 ") | | |
| 11 | | Grease gun | 1 | |
| 12 | | jack | 1 | Optional |
| 13 | | Oil gun | 1 | Optional |
| 14 | | Tyre pressure gauge | 1 | Optional |

Appendix 6 Mechanical couplings

6.1、 Clevis Type

1. TECHNICAL DATA

1.1. MAKER

Changzhou Knekt Agricultural Machinery Group Co. Ltd. - No.328 Xinye Road, Xinzha Town, Changzhou District, Jiangsu Province, P.R. China -

1.2. TYPE

Tractor clevis mechanical coupling – non-automatic trailer coupling

CODE DF300-6.35B.001 according to directive 2009/144/EC - all. IV- appendix 1- fig. 2

Type-approval number: CE: e50 XXXX

Technically permissible trailer mass: 6,0 t

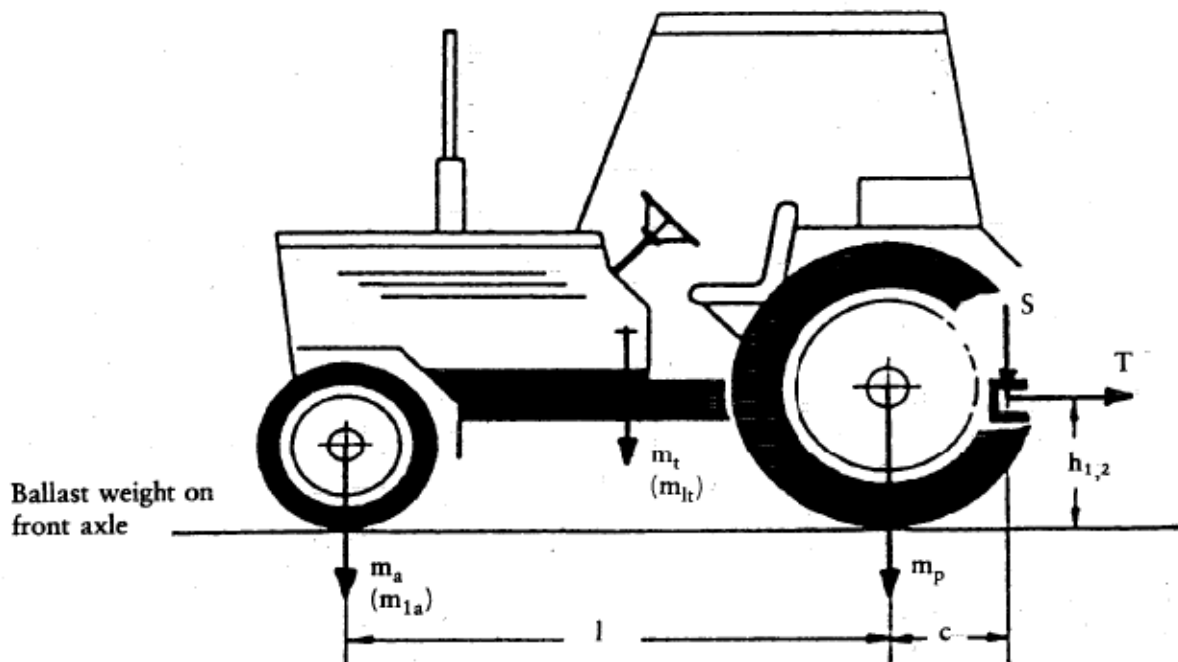
Test load: 9,0 t

Technically permissible static vertical load: 1.5 t

2. MOUNTING PRESCRIPTIONS

2.1. HEIGHT ABOVE THE GROUND OF THE COUPLING DEVICE (H)

See figure below:



304G2 SERIES TRACTOR OPERATION MANUAL

All tractors with a loaded mass exceeding 2,5 tonnes must be fitted with a trailer coupling having a ground clearance satisfying one of the following relations:

$$h_1 \leq \frac{(m_a - 0.2 \times m_t) \times l - (S \times c)}{0.6 \times (0.8 \times m_t + S)}$$

Or

$$h_1 \leq \frac{(m_{ta} - 0.2 \times m_t) \times l - (S \times c)}{0.6 \times (0.8 \times m_{tt} - 0.2m_t + S)}$$

where:

m_t : mass of the tractor,

m_{tt} : mass of the tractor with ballast weight on the front axle,

m_a : weight on the front axle of the unladen tractor,

m_{ta} : weight on the front axle of the tractor with ballast weight on the front axle,

l : tractor wheelbase,

S : vertical load on the coupling pin

c : distance between the reference centre of the mechanical coupling and the vertical plane passing through the axle of the rear wheels of the tractor .

2.2. ASSEMBLY

See drawing no. 300-6.35B.001.

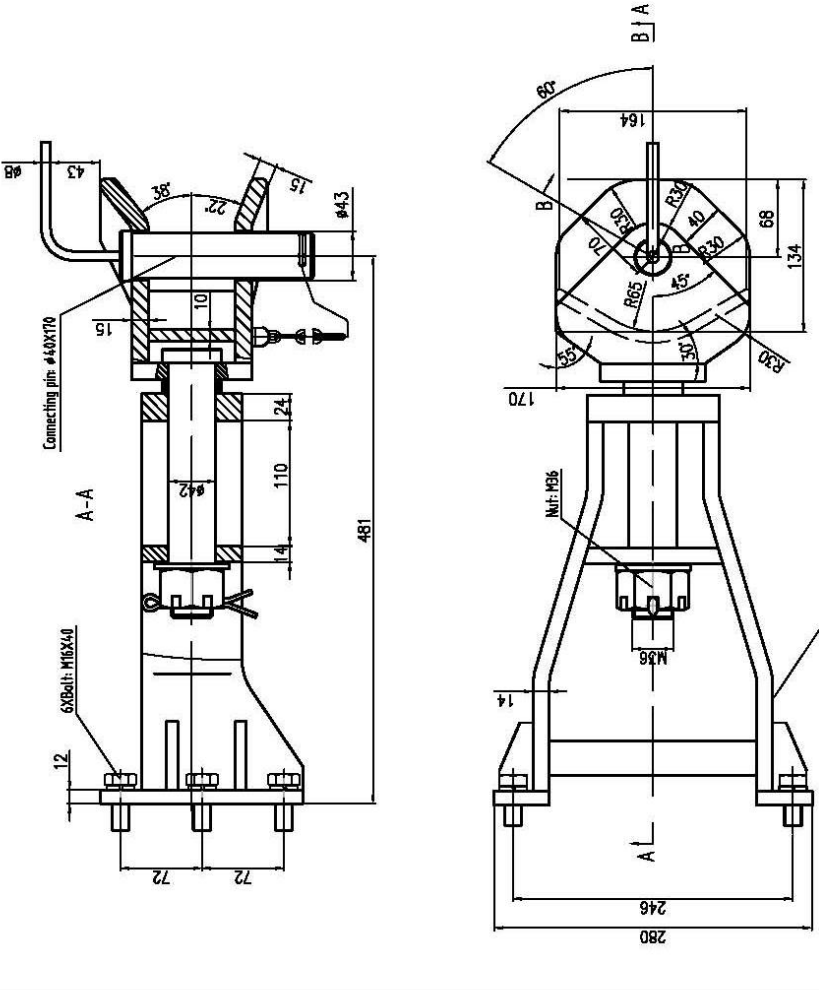
Use only bolts M16 8.8.

Tightening torque: 225 Nm.

CAUTION

Secure all pins with cotter.

304G2 SERIES TRACTOR OPERATION MANUAL




Type: 300-6.35B.001

Directive 2009/144/EC Annex IV
Appendix 1 – Fig. 2 (ISO 6489 part 2)

Towable mass: 6.0 t
Vertical Load: 1.5 t

Material (all parts): 45
Breaking load $\sigma_b = 600$ MPa
Yield Strength $\sigma_s = 355$ MPa



(1): or DF, EAST WIND, DFAM

| | |
|---|-------------------------------------|
| Clevis Type Assembly | Dwg. no. 300-6.35B.001 2012-4-20 |
| 常州东风农机集团有限公司 Changzhou Dongfeng Agricultural Machinery Group Co., Ltd. | |

6.2、 Swing drawbar

1. TECHNICAL DATA

1.1. MAKER

Changzhou Knekt Agricultural Machinery Group Co. Ltd. - No.328 Xinye Road, Xinzha Town, Changzhou District, Jiangsu Province, P.R. China -

1.2. TYPE

Tractor drawbar mechanical coupling – non-automatic trailer coupling

CODE DF300.53A.001 according to directive 2009/144/EC - all. IV- appendix 1- fig. 3

Type-approval number: CE: e50 XXXX

1.3. TECHNICAL DATA

Technically permissible trailer mass: 6,0 t

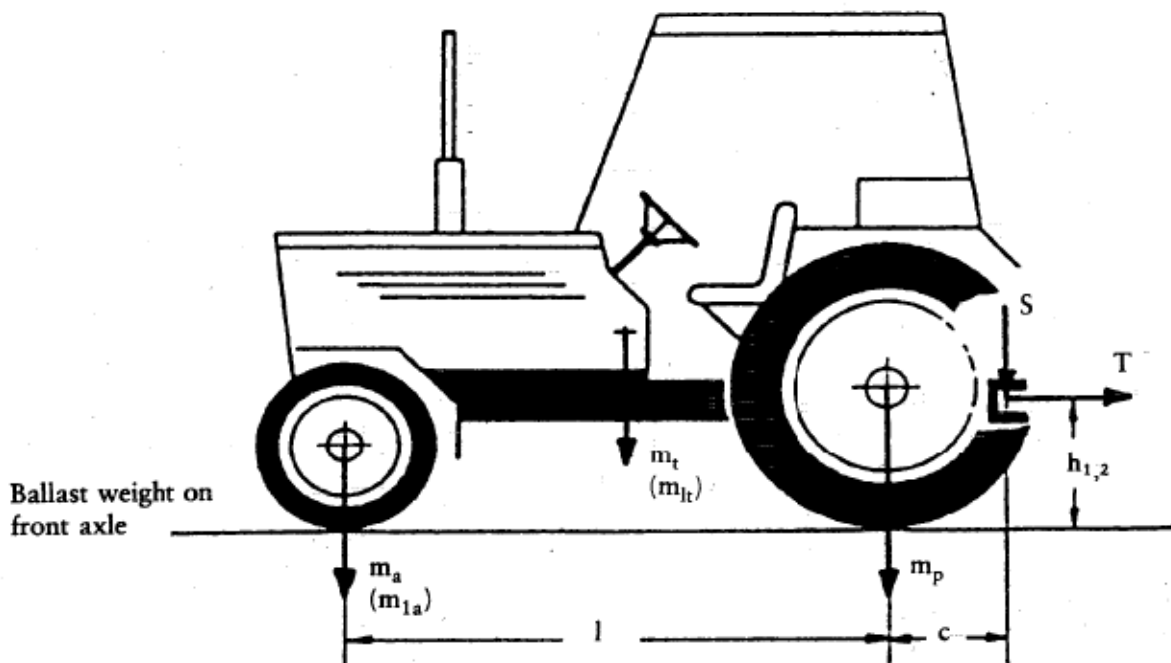
Test load: 9,0 t

Technically permissible static vertical load: 0 t

2. MOUNTING PRESCRIPTIONS

2.1. HEIGHT ABOVE THE GROUND OF THE COUPLING DEVICE (H)

See figure below:



304G2 SERIES TRACTOR OPERATION MANUAL

All tractors with a loaded mass exceeding 2,5 tonnes must be fitted with a trailer coupling having a ground clearance satisfying one of the following relations:

$$h_1 \leq \frac{(m_a - 0.2 \times m_t) \times l - (S \times c)}{0.6 \times (0.8 \times m_t + S)}$$

Or

$$h_1 \leq \frac{(m_{la} - 0.2 \times m_t) \times l - (S \times c)}{0.6 \times (0.8 \times m_{lt} - 0.2m_t + S)}$$

where:

m_t : mass of the tractor,

m_{lt} : mass of the tractor with ballast weight on the front axle,

m_a : weight on the front axle of the unladen tractor,

m_{la} : weight on the front axle of the tractor with ballast weight on the front axle,

l : tractor wheelbase,

S : vertical load on the coupling pin

c : distance between the reference centre of the mechanical coupling and the vertical plane passing through the axle of the rear wheels of the tractor .

2.2. ASSEMBLY

See drawing no. 300.53A.001.

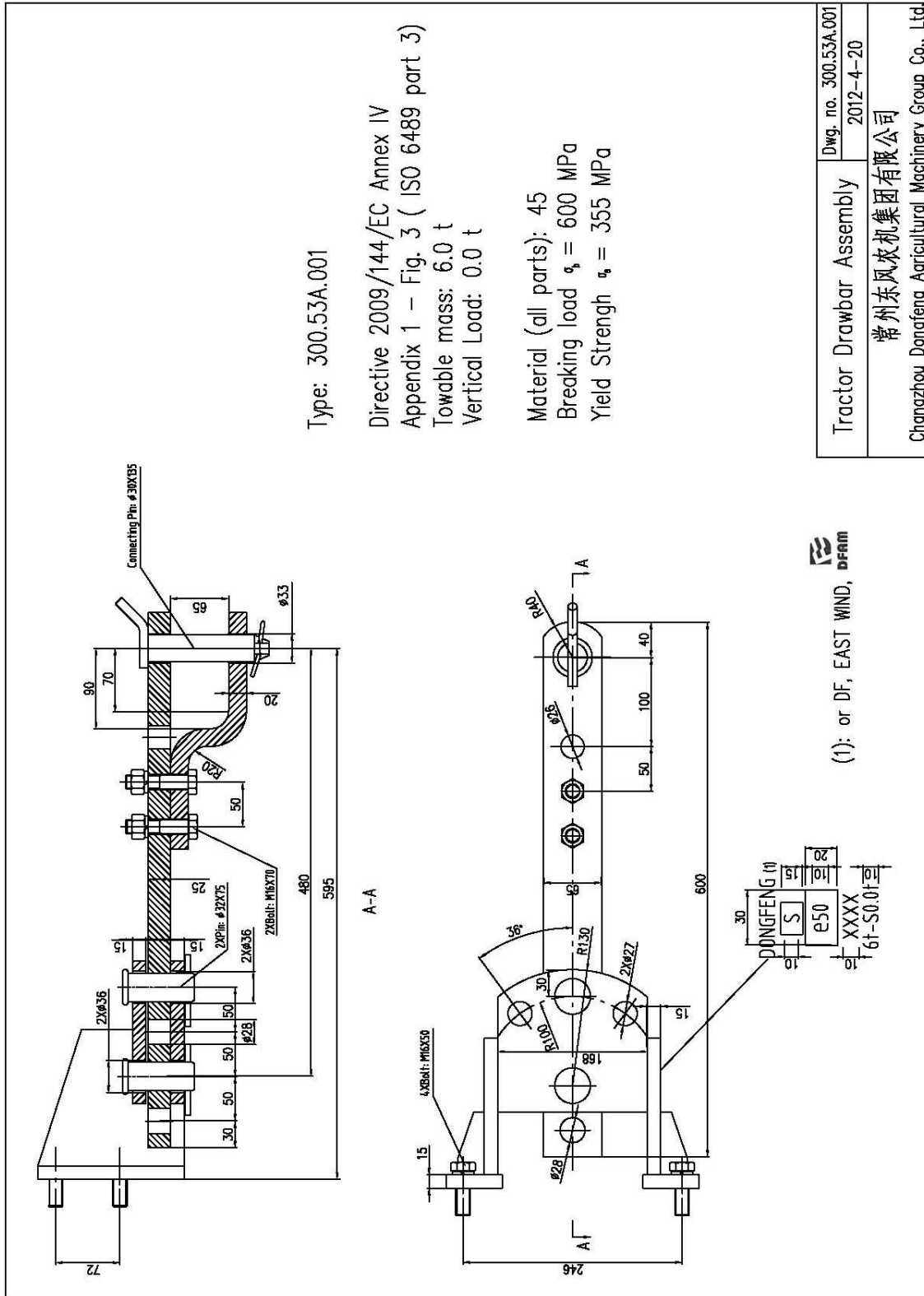
Use only bolts M16 8.8.

Tightening torque: 225 Nm.

CAUTION

Secure all pins with cotter.

304G2 SERIES TRACTOR OPERATION MANUAL




Appendix 7 E-MARK certificate



COMPLETE VEHICLES EU CERTIFICATE OF CONFORMITY

The undersigned..... (full name and position).

hereby certifies that the following complete vehicle:

- | | | |
|--------|--|--|
| 1.1. | Make (trade name of the manufacturer): | DONGFENG, DF, EAST WIND,  |
| 1.2. | Type: | DF30 |
| 1.2.1. | Variant: | DF304G2 |
| 1.2.2. | Version: | / |
| 1.2.3. | Commercial name (if available): | no available |
| 1.3. | Category, subcategory and speed index of vehicle | T1a |
| 1.4. | Company name and address of manufacturer | Changzhou Dongfeng Agricultural Machinery Group Co., Ltd. No. 328 Xinye Road, Xinzha Town, Zhonglou District, Changzhou City, Jiangsu Province, 213012, P. R. China |
| 1.4.2. | Name and address of manufacturer's authorised representative (if any): | Knegt B.V. Habraken 1207,5507 TB VELDHOVEN,Netherlands |
| 1.5.1. | Location of the manufacturer's statutory plate | right hand drive countries: below the instrument panel - right side left hand drive countries: below the instrument panel - left side |
| 1.5.2. | Method of attachment | Riveted |
| 1.6.1. | Location of the vehicle identification number on the chassis: | Front of the chassis - right side |
| 2. | Vehicle identification number: | DFAM1320EJ000929 |

conforms in all respects to the type described in EU type-approval(type-approval number including extension number) issued on(date of issue)

and

can be permanently registered in Member States having right/left-hand traffic and using metric/imperial units for the speedmeter.

Changzhou City, Jiangsu Province, P. R. China

(Date).....

Signature:.....

地址：江苏省常州市钟楼区新闻镇新治路 328 号
Add: No. 328, Xinye Road, Xinzha Town, Zhonglou District, Changzhou, Jiangsu, China 213012
电话 (Tel) : +86-519-83256666 传真(Fax):+86-519-83261722
邮箱 (E-mail) :sales@df-tractor.com <http://www.df-tractor.com>

e49*167/2013*00008*00

304G2 SERIES TRACTOR OPERATION MANUAL



常州东风农机集团有限公司

CHANGZHOU DONGFENG AGRICULTURAL MACHINERY GROUP CO.,LTD.

General construction characteristics

- 3.3.1. Number of axles and wheels: . 2 axles, 4 wheels
- 3.3.2. Number and position of axles with twinned wheels: not applicable
- 3.3.3. Number and position of steered axles: 1, front axle
- 3.3.4. Number and position of powered axles: 2, front axle disengage-able
- 3.3.5. Number and position of braked axles: 1, rear axle
- 3.4.1. Crawler undercarriage configuration: set of track trains at front/set of track trains at rear/set of track trains at front and set of track trains at rear/continuous track train at each side of the vehicle
- 3.4.2. Number and position of powered set of track trains:
- 3.4.3. Number and position of braked set of track trains:
- 3.4.4. Steering by:
 - changing the speed between the left-hand side and right-hand side track trains: yes/no not applicable
 - pivoting of two opposite or all four track trains: yes/no/
 - articulation of the front and rear part of the vehicle around a central vertical axis: yes/no
 - articulation of the front and rear part of the vehicle around a central vertical axis and changing the direction of the wheels on the wheeled axle: yes/no

Constructions characteristics for special purpose

- 47.1. Vehicle equipped with falling object protective structures (FOPS) for forestry applications: yes/no
- 47.2. Vehicle equipped with falling object protective structures (FOPS) for other applications than forestry: yes/no
- 55.1. Vehicle equipped with protection against penetrating objects (OPS) for forestry applications: yes/no
- 55.2. Vehicle equipped with protection against penetrating objects (OPS) for other applications than forestry: yes/no
- 58.3. Vehicle equipped with a cab classified for protection against hazardous substance for category:2/3/4 and Dust filter/ Vapour filter with regard to protection against hazardous substance. not applicable
- 59. Vehicle with machinery mounted on it yes/no
- 59.1. General description of the machinery and its inter-action with the vehicle: not applicable

Masses

- 4.1.1. Unladen mass(es) in running order :
 - 4.1.1.1. Maximum: 1667 kg
 - 4.1.1.2. Minimum: 1667 kg
 - 4.1.2.1. Technically permissible maximum laden mass(es) of vehicle 1899 kg
 - 4.1.2.1.1. Technically permissible maximum laden mass(es) of vehicle per axle
 - Axle 1 799 kg
 - Axle 2 1100 kg
- 4.1.2.2. Mass(es) and tyre(s)

| Tyre combination No | Axle No | Tyre dimension including load capacity index and speed category symbol | Rolling radius [mm] | Tyre Load rating per tyre [kg] | Maximum permissible mass per axle [kg] | Maximum permissible mass of vehicle [kg] | Maximum permissible vertical load on the coupling point[kg] | Track width [mm] | |
|---------------------|---------|--|---------------------|--------------------------------|--|--|---|------------------|---------|
| | | | | | | | | Minimum | Maximum |
| | | | | | | | | | |

地址：江苏省常州市钟楼区新闻镇新治路 328 号
 Add: No. 328, Xinye Road , Xinzha Town, Zhonglou District, Changzhou, Jiangsu, China 213012
 电话 (Tel) : +86-519-83256666 传真(Fax):+86-519-83261722
 邮箱 (E-mail) :sales@df-tractor.com <http://www.df-tractor.com>

e49*167/2013*00008*00

304G2 SERIES TRACTOR OPERATION MANUAL



| | | | | | | | | | |
|-------------------------|---|------------------------|-----------|---------|---------|---------|-------------------|---------|---------|
| 1 (XUZHOU ARMOUR) | 1 | 6.00-12 PR6 R-1A A6 | 298 mm | 400 kg | 800 kg | 799 kg | not applicable | 1100 mm | 1100 mm |
| | 2 | 11.2-20 PR8 R-1 A6 | 473 mm | 1090 kg | 2180 kg | 1100 kg | not applicable | 1250 mm | 1250 mm |

4.1.2.3. Mass(es) and crawler undercarriage Not applicable
 4.1.3 Technically permissible towable mass(es) for each chassis/ braking configuration of the R- or S-category vehicle

| R-and S- category vehicle | Drawbar | | Rigid drawbar | Centre- axle |
|------------------------------|------------------------|-------------------------|------------------|--------------|
| | Drawbar 300.53A.001 | Clevis 300-6.35B.001 | | |
| Brake | | | | |
| Unbraked (*) | 600 kg | | 600 kg | 600 kg |
| Inertia-braked | 6000 kg | 1500 kg | 1500 kg | 1500 kg |
| Hydraulic braked | / kg | | / kg | / kg |
| Pneumatic braked | / kg | | / kg | / kg |

4.1.4. Total technically permissible mass(es) of the tractor (T- or C-category vehicle) and towed vehicle (R- or S-category vehicle) combination for each chassis/braking configuration of the R- or S- category vehicle:

| R-and S- category vehicle | Drawbar | | Rigid drawbar | Centre- axle |
|------------------------------|------------------------|-------------------------|------------------|--------------|
| | Drawbar 300.53A.001 | Clevis 300-6.35B.001 | | |
| Brake | | | | |
| Unbraked (*) | 2499 kg | | 2499 kg | 2499 kg |
| Inertia-braked | 7899 kg | 3399 kg | 3399 kg | 3399 kg |
| Hydraulic braked | / kg | | / kg | / kg |
| Pneumatic braked | / kg | | / kg | / kg |

Ballast masses

29.2. Number of sets of ballast masses:

地址：江苏省常州市钟楼区新闻镇新冶路 328 号
 Add: No. 328, Xinye Road, Xinzha Town, Zhonglou District, Changzhou, Jiangsu, China 213012
 电话 (Tel) : +86-519-83256666 传真(Fax):+86-519-83261722
 邮箱 (E-mail) :sales@df-tractor.com <http://www.df-tractor.com>

e49*167/2013*00008*00

304G2 SERIES TRACTOR OPERATION MANUAL



常州东风农机集团有限公司

DFAM

CHANGZHOU DONGFENG AGRICULTURAL MACHINERY GROUP CO.,LTD.

| | | |
|---|---|---|
| 29.2.1. | Number of components on each set: | |
| | Set 1: | front 0 and rear 2 |
| | Set 2: | front 0 and rear 4 |
| | Set 3: | front 2 and rear 0 |
| | Set 4: | front 2 and rear 2 |
| | Set 5: | front 2 and rear 4 |
| | Set 6: | front 3 and rear 0 |
| | Set 7: | front 3 and rear 2 |
| | Set 8: | front 3 and rear 4 |
| | Set 9: | front 4 and rear 0 |
| | Set 10: | front 4 and rear 2 |
| | Set 11: | front 4 and rear 4 |
| | Set 12: | front 5 and rear 0 |
| | Set 13: | front 5 and rear 2 |
| | Set 14: | front 5 and rear 4 |
| | Set 15: | front 6 and rear 0 |
| | Set 16: | front 6 and rear 2 |
| | Set 17: | front 6 and rear 4 |
| 29.4. | Total mass of ballast masses: | front 120 kg and rear 112 kg |
| Main dimensions | | |
| 4.2.1. | For incomplete vehicles | not applicable |
| 4.2.2.1.1. | Length for on-road use: | |
| | maximum | 3389 mm |
| | minimum | 3316 mm |
| 4.2.2.1.2. | Width for on-road use: | |
| | maximum | 1535 mm |
| | minimum | 1535 mm |
| 4.2.2.1.3. | Height (in running order) | |
| | Maximum | 2423 mm |
| | minimum | 2423 mm |
| 4.2.2.5. | Wheelbase: | 1732 mm |
| 4.2.2.8. | Track width: | |
| 4.2.2.8.1. | maximum: Axle 1 / Axle 2 | 1100 mm/1250 mm |
| 4.2.2.8.2. | minimum: Axle 1 / Axle 2 | 1100 mm/1250 mm |
| General powertrain characteristics | | |
| 5.1.1.1. | Declared maximum design vehicle speed: | 24.42 km/h |
| 5.1.2.1. | Declared rearward maximum design vehicle speed | 24.59 km/h |
| 5.2. | Rated engine net power: ... kW, at ... min ⁻¹ (in accordance with UNECE Regulation No 120 (OJ L 257, 30.9.2010, p. 280)) | 22.1 kw at 2400 min ⁻¹ |
| 5.3. | Maximum engine net power: ... kW, at ... min ⁻¹ (in accordance with UNECE Regulation No 120 (OJ L 257, 30.9.2010, p. 280)) | not applicable |
| 5.5. | Fuel type: | B5: Diesel |
| Engine | | |
| 2.1. | Make(s) (trade name(s) of manufacturer): | CHANGCHAI |
| 2.2. | Type: | 3LS30B |
| 2.2.2. | Type-approval number without extension: | e13*97/68KA*2004/26*0577* |
| 2.5.2. | Manufacturer's type coding (as marked on the engine or other means of identification): | 3LS30B |
| 6.1. | Cycle: | four stroke/ two stroke |
| 6.4. | Number:..... and layout:.....of cylinders | 3 in-line |
| 6.5. | Engine capacity(cm ³) | 1813 |
| 7.1.1. | Combustion cycle: | positive ignition/compression ignition |
| Gearbox | | |
| 11.2.8. | Type of gear shift system(s) | mechanical |
| Steering | | |
| 13.2. | Steering category: | manual/power-assisted/serve-steering/differential |
| Braking | | |

地址：江苏省常州市钟楼区新闻镇新治路 328 号

Add: No. 328, Xinye Road, Xinzha Town, Zhonglou District, Changzhou, Jiangsu, China 213012

电话 (Tel) : +86-519-83256666 传真(Fax):+86-519-83261722

邮箱 (E-mail) :sales@df-tractor.com <http://www.df-tractor.com>

e49*167/2013*00008*00

304G2 SERIES TRACTOR OPERATION MANUAL



常州东风农机集团有限公司

CHANGZHOU DONGFENG AGRICULTURAL MACHINERY GROUP CO.,LTD.

| | |
|--|--|
| 43.4.6. Electronic braking system: 43.5.1. Braking transmission: | yes/no/optional mechanical/hydrostatic without power assistance/power-assisted/fully powered transmission yes/no |
| 43.5.3. Locking of left and right braking controls: 43.6.1. Towed vehicle braking control system technology: Hydraulic/Pneumatic/Electric/None 43.6.4. Connections type: single line/two-lines/None 43.6.4.1. Supply pressure Hydraulic: Single line: ... kPa Two lines: ... kPa 43.6.4.2. Supply pressure Pneumatic: Two lines: kPa 43.6.5. Presence of ISO 7638:2003 connector : yes/no | not applicable |
| Rollover protective structure (ROPS) | |
| 2.1. Make(s) (trade name(s) of manufacturer): 2.2.2. Type-approval number without extension: 46.1. Equipment of ROPS: 46.2. ROPS by cab/by frame/by roll bar(s) mounted at 46.2.1. In the case of roll bar: 46.2.2. In the case of foldable roll bar: 46.2.2.1. Folding operation: 46.2.2.2.1. Hand-operated foldable ROPS: 46.2.2.4. Locking mechanism: Seating positions (saddles and seats) 49.1. Seating position configuration: 49.4.2. Driver's seat type category: 49.4.3. Reversible driving position: 49.5.1. Number of passenger seats: Load platform(s) 33.1.1. Length of the load platform(s): 33.1.2. Width of load platform(s): 33.1.3. Height of load platform(s) above the ground: 33.2. Safe load carrying capacity of load platform(s) declared by manufacturer: | DONGFENG, DF, EAST WIND, No.4/1 786 compulsory/optional/standard front/rear foldable/not foldable non-assisted/partially-assisted/fully-assisted with tools/without tools manual/automatic seat/saddle category A class -I/II/III, category-B yes/no not applicable not applicable |
| Mechanical couplings | |
| 38.3. Rear mechanical coupling | |

| | | | |
|---|----------------------|--|--------|
| Type (according to Appendix 1 to Annex XXXIV to Commission Delegated Regulation (EU) 2015/208): | | Tractor drawbar(complying with ISO 6489-3:2004) | |
| Make: | | DONGFENG, DF, EAST WIND, | |
| Manufacturer's type designation: | | 300.53A.001 | |
| (EU) type-approval mark or -number: | | e50*2009/144*2010/62*0009*00 | |
| Maximum horizontal load/D-Value | | / kg/kN | |
| Towable mass (T) | | 6 tonnes | |
| Maximum permissible vertical load on the coupling point | | 0 kg | |
| Position of coupling point | height above ground, | minimum | 272 mm |
| | | maximum | 363 mm |

地址：江苏省常州市钟楼区新闻镇新治路 328 号
 Add: No. 328, Xinye Road, Xinzha Town, Zhonglou District, Changzhou, Jiangsu, China 213012
 电话 (Tel) : +86-519-83256666 传真(Fax):+86-519-83261722
 邮箱 (E-mail) :sales@df-tractor.com <http://www.df-tractor.com>

e49*167/2013*00008*00

304G2 SERIES TRACTOR OPERATION MANUAL



常州东风农机集团有限公司

CHANGZHOU DONGFENG AGRICULTURAL MACHINERY GROUP CO.,LTD.

Commission Delegated Regulation(EU) 2017/686

| | |
|---------------|------------------------|
| Moving: | 81,4 dB(A) |
| Stationary: | 74,7 dB(A) |
| Engine speed: | 2583 min ⁻¹ |

Driver-perceived sound level:

Measured according to Annex XIII to Commission Delegated Regulation (EU) No 1322/2014 as last amended by Regulation (EU) No: 2018/830

| | |
|---|------------|
| Moving: | 86,0 dB(A) |
| Test method used: Test method 2 in accordance with section 3 of Annex XIII to Commission Delegated Regulation (EU) No 1322/2014 | |

Result of exhaust emission test (inclusive of Deterioration Factor)

Measured according to:

- Annex I to Commission Delegated Regulation (EU) No 2015/96, as last amended by Commission Delegated Regulation (EU) No 2016/686 yes/no
- Annex XII to Directive 97/68/EC of the European Parliament and of the Council, as last amended by (EU) Regulation No 2016/1628 of the European Parliament and of the Council yes/no
- Regulation (EC) No 595/2009 of the European Parliament and of the Council, as last amended by Commission Regulation (EU) No 133/2014 yes/no
- Annex 4B to UNECE Regulation No 96.04 series of amendments yes/no

| Cycle Stage | NRSC/ESCA/WHSC | NRTC/ETCA/HTC |
|---|----------------|---------------|
| CO | 4,069 g/kWh | / |
| HC | N.A. | / |
| NO _x | N.A. | / |
| HC+NO _x | 5,900 g/kWh | / |
| PM | 0,360 g/kWh | / |
| CO ₂ | N.A. | / |
| NMHC | N.A. | / |
| CH ₄ | N.A. | / |
| NRTC hot cycle CO ₂ | N.A. | / |
| NRTC hot cycle work | N.A. | / |
| Cycle work for hot start w/o regeneration | N.A. | / |

COMMENTS:.....

地址：江苏省常州市钟楼区新闻镇新冶路 328 号
 Add: No. 328, Xinye Road, Xinzha Town, Zhonglou District, Changzhou, Jiangsu, China 213012
 电话 (Tel) : +86-519-83256666 传真(Fax):+86-519-83261722
 邮箱 (E-mail) :sales@df-tractor.com <http://www.df-tractor.com>

e49*167/2013*00008*00

304G2 SERIES TRACTOR OPERATION MANUAL

Appendix 8 Optional Accessories

| No. | Accessory | Qty. | Application |
|-----|--------------|------|------------------------|
| 1 | Safety frame | 1 | Safeguard the operator |
| 2 | Sunshade | 1 | Safeguard the operator |
| 3 | 7-12 | 2 | |
| 4 | 12.5/80-18 | 2 | |

Appendix 9 Application Packing List

| No. | Designation and specifications | Qty. | Remarks |
|-----|-------------------------------------|------|---|
| 1 | Knegt Brand Tractor | 1 | To be disposed as per order |
| 2 | Spare parts of engine | 1 | |
| 3 | Attached tool kit of the tractor | 1 | List of tool box will be delivered additionally |
| 4 | Tractor operation manual | 1 | |
| 5 | Tractor illustrated parts catalogue | 1 | |
| 6 | Certificate of quality | 1 | |

Encasement member: _____

Date: _____

Note: The information contained in this operation manual is a general introduction only. Which is subject to change without notice at any time for technical or other reasons since our product will be under uninterrupted improvements and modifications. Therefore, we would request the user/dealers to give out the manufacturing date and serial number while they place order for spare parts and components.

Thanks.

DF304G2 SERIES TRACTOR OPERATION MANUAL

Index

| | | | |
|---|-----|---|--------|
| 1000h maintenance..... | 61 | Equipment | 22 |
| 100h maintenance..... | 60 | Farm implement with wheel..... | 48 |
| 10h maintenance..... | 59 | Farm implements to be attached..... | 24 |
| 250h maintenance..... | 60 | Front driven axle (4WD)..... | 77 |
| 500h maintenance..... | 60 | Gearbox | 76 |
| 50h maintenance..... | 60 | Generator and voltage regulator..... | 54 |
| Adjust Seat and Steering Wheel | 36 | Getting on and leaving the tractor | 36 |
| Adjustment of front axle final transmission | 72 | Hoist tractor..... | 46 |
| Adjustment of parking braking system..... | 67 | Hydraulic Hitch System | 80 |
| Adjustment of service braking system..... | 67 | Hydraulic lift system control lever..... | 47 |
| Adjustment of the Brake..... | 67 | Hydraulic steering system | 78 |
| Adjustment of the clutch | 65 | Identifying your machine | 17 |
| Adjustment of the engine..... | 65 | Ignition Switch | 31 |
| Adjustment of the Front Axle (4WD)..... | 69 | Instrument and Controls..... | 30 |
| Adjustment of the pre-stress of Differential assemble bearings..... | 70 | Instrument Panel..... | 32 |
| Adjustment of the pre-stress of the spiral bevel pinion bearings..... | 69 | Instrument Panel and Switch..... | 31 |
| Adjustment of the Rear Axles..... | 67 | Insurance device..... | 56 |
| Adjustment of the spiral bevel pinion and spiral bevel crown gear..... | 71 | Jack tractor | 46 |
| Adjustment of the toe-in..... | 74 | List of Attached Tools | 86 |
| Adjustment of the wheel track..... | 74 | List of damageable parts | 86 |
| Application Packing List | 100 | Machine Identification Plate | 17 |
| Ballast..... | 53 | Maintenance after running-in | 29 |
| Battery | 55 | Measures for emergency | 16 |
| Before Starting the Engine | 38 | Mechanical couplings..... | 88 |
| Braking system | 77 | Noise | 25 |
| Capacities | 24 | Oil and lubricants | 58 |
| Charging System Indicator..... | 40 | Oil Pressure Indicator..... | 40 |
| Check Instruments after Starting | 40 | Operating the Engine..... | 38 |
| Clutch | 75 | Operating the tractor safely | 6 |
| Combination Switch | 34 | Optional Accessories | 100 |
| Component Identification Plates | 18 | Parking and leaving the tractor..... | 9 |
| Connecting farm implements | 50 | Periodic Service | 59 |
| Coolant Temperature Gauge..... | 40 | Preparation after Storage..... | 64 |
| Draw the Tractor..... | 45 | Preparation before Running-in of the tractor | 26 |
| Driving the Tractor | 41 | Preparation for Storage..... | 63 |
| Electrical system..... | 81 | PTO | 52, 79 |
| Electricity and instrument panel | 23 | Rear axle..... | 76 |
| E-MARK certificate | 94 | Rise and fall farm implements | 47 |
| Engine..... | 21 | ROPS Certification Plate..... | 18 |
| Engine Identification Plate Location | 18 | Running in of hydraulic hitch system..... | 27 |
| | | Running in of PTO | 27 |
| | | Running in of the Tractor | 28 |

304G2 SERIES TRACTOR OPERATION MANUAL

| | | | |
|--|-------|--|----|
| Running-in of hydraulic steering system..... | 27 | Plate..... | 18 |
| Running-in the engine without load | 26 | Tractor Maintenance..... | 9 |
| Safety first | 5 | Tractor maintenance during storage | 64 |
| Safety Instructions..... | 5 | Tractor specification..... | 19 |
| Safety symbols | 12 | Transmission | 21 |
| Scheme of the electric system | 85 | Travelling and steering system..... | 22 |
| Seat Belt | 37 | Use and adjustment of the three-point lifting mechanism..... | 50 |
| Service Daily Before Start-Up..... | 38 | Use hydraulic output system | 48 |
| Standards and Regulations | 83 | Use Mechanical coupling..... | 52 |
| Start in Cold Weather | 39 | Use of the 4WD..... | 43 |
| Start motor..... | 55 | Use of the Brakes | 42 |
| Start the Engine | 38 | Use of the Differential Lock..... | 42 |
| Start the tractor | 6, 41 | Use of the hydraulic steering system..... | 44 |
| Steering Wheel | 37 | Use of the tires | 44 |
| Stopping Tractor..... | 44 | Use operator' s set | 36 |
| Switch plate..... | 35 | Use three-point lifting mechanism | 50 |
| Technical specification of the tractor..... | 19 | Using Agricultural Implements and Machines | 8 |
| The use of electrical systems..... | 54 | Using the Tractor implents | 47 |
| Tightening Torque Table of Main Bolts and Nuts | 84 | Vibration..... | 25 |
| Towing loads | 8 | Walking system | 78 |
| Tractor characteristic | 17 | Warm Up the Engine | 40 |
| Tractor Controls..... | 30 | Watch Fuel Level | 40 |
| Tractor Drawbar Or Clevis type Certification | | | |



NO.DF304G2-E-2018EC

Version: NO.00.00.00

First Print: September 2018

CHANGZHOU DONGFENG AGRICULTURAL MACHINERY GROUP CO.,LTD.

Add: No.328, Xinye Road, Xinzha Town,Zhonglou District, Changzhou, Jiangsu, China

Tel:086-0519-83256666

Fax: 0086 519 83261722

Postcode: 213012

E-mail: sales@df-tractor.com

Http://www.df-tractor.com