

JF30

max 995 kg (CE)

2540 x 780 x 1830 mm

max 8 m

max 6.8 m

Technical Information

Load Chart

Dimension	L x W x H	2540 x 780 x 1830 mm
Stab Area		3370 X 3370 mm

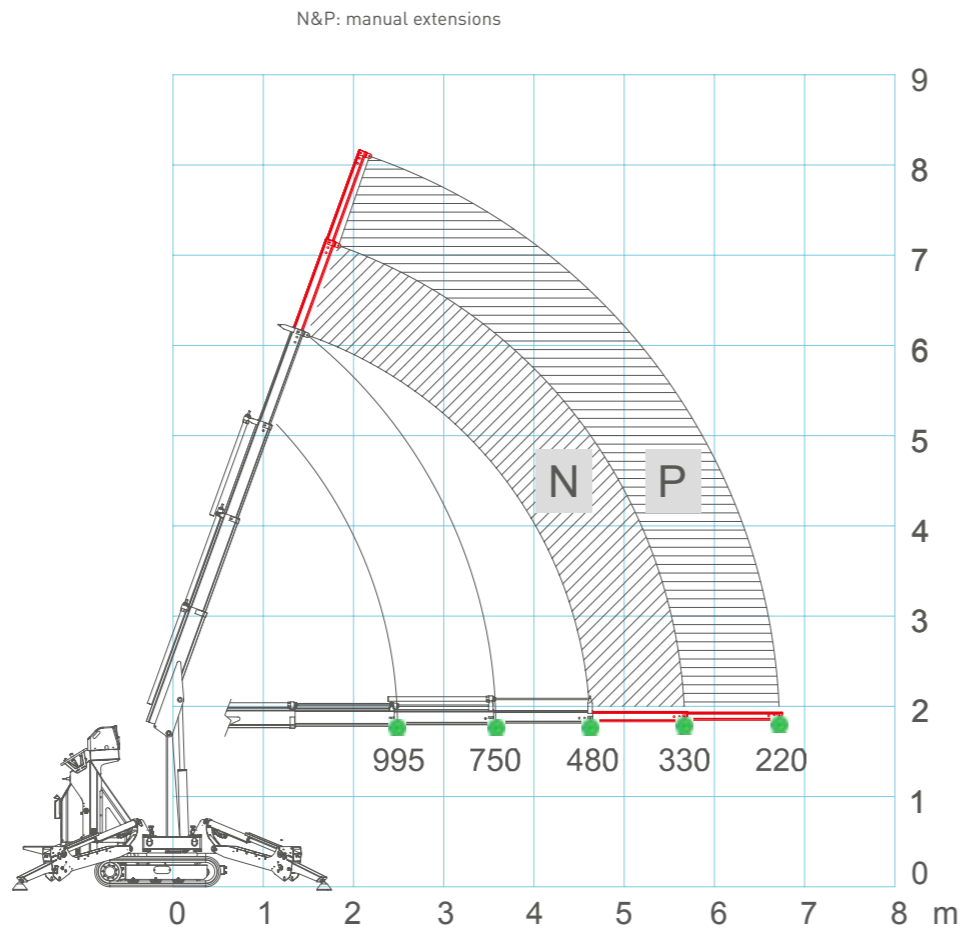
Crane & Options Weights		Kg
JF30		1400
/		
TF0500		12
AUX	PP400-4DX PP220-4DX PP220-2DX	45
	JIB N	13
	JIB P	10

Winch	500 kg 36 m - Ø 6 mm 27-35 m/min.
-------	---

JF30	Petrol Engine	YAMAHA MZ 360	7.6 kW 10.4 Hp
------	---------------	---------------	-------------------

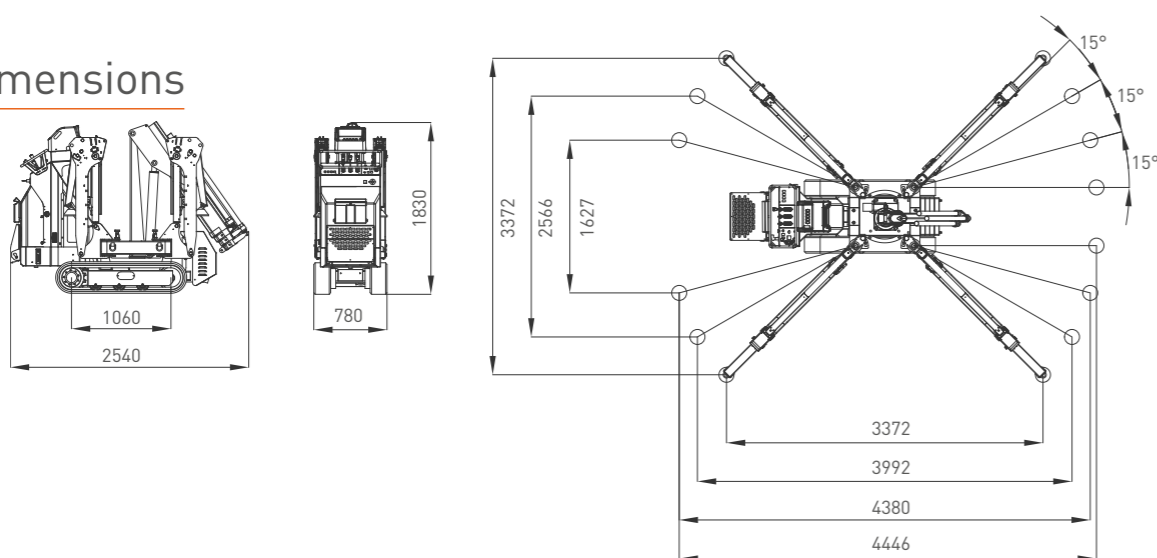
Speed	2.4 km/h
-------	----------

Gradeability	20°
--------------	-----



Electric Power Pack	Max. Track Load	Max. Outrigger Load	Boom Length	Working Angle	Rotation
AUX 2kW - 2.7 Hp 220 V-AC	0.32 kg/cm ²	MAX 1050 kg	1.5 - 4.7 m 30 sec.	0° / 70° 25 sec.	325° / 1.0 rpm

Dimensions



JF40

max 2500 kg

2490 x 780 x 1850 mm

max 8.1m

max 6.8 m



Technical Information

Load Chart

Dimension	L x W x H	2490 x 780 x 1850 mm
Stab Area		4000 X 4000 mm

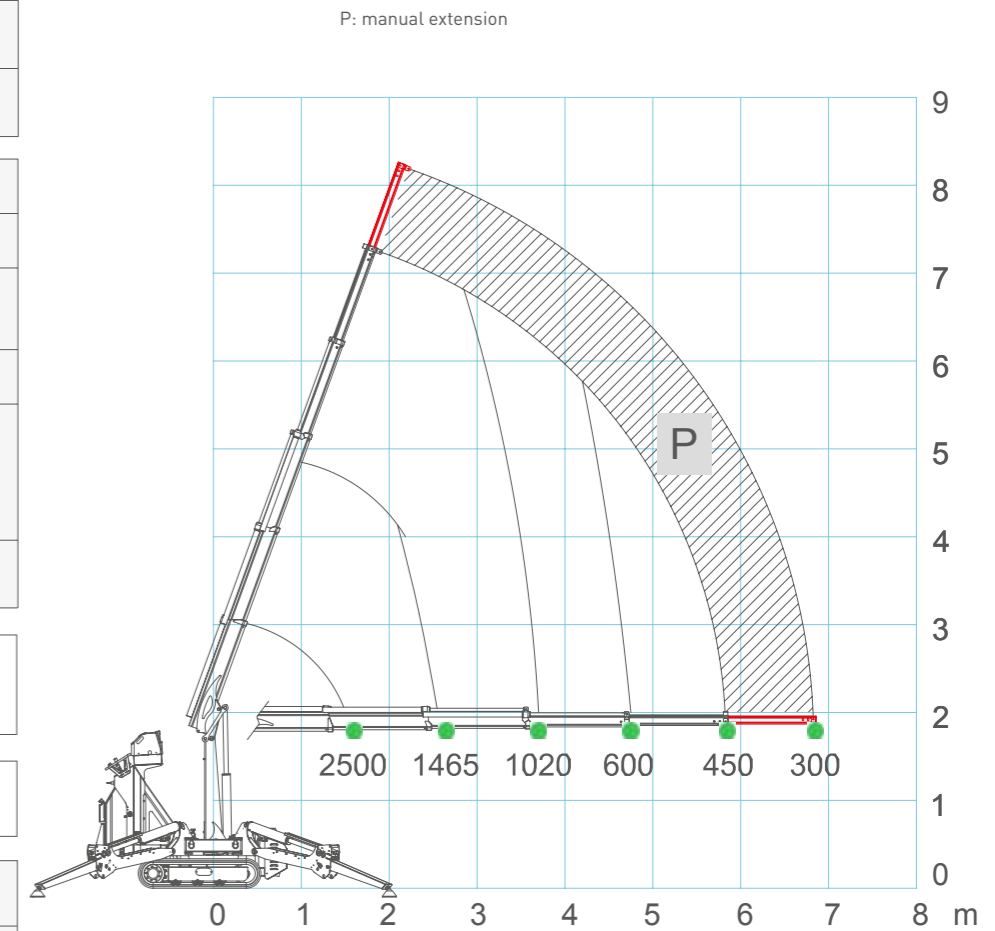
Crane & Options Weights		Kg
JF40		1600
/		
TF0500		12
AUX	PP400-4DX PP220-4DX PP220-2DX	45
	JIB P	9

Winch	500 kg 36 m - Ø 6 mm 27-33 m/min.
-------	---

JF40	Petrol Engine	YAMAHA MZ 360	7.6 kW 10.4 Hp
------	---------------	---------------	-------------------

Speed	2.4 km/h
-------	----------

Gradeability	20°
--------------	-----



Electric Power Pack	Max. Track Load	Max. Outrigger Load	Boom Length	Working Angle	Rotation
AUX 2kW - 2.7 Hp 220 V-AC	0.35 kg/cm ²	MAX 1300 kg	1.6 - 5.8 m 30 sec.	0° / 70° 25 sec.	337° / 1.0 rpm

Dimensions

