

SLIDELIFT™ SERIES

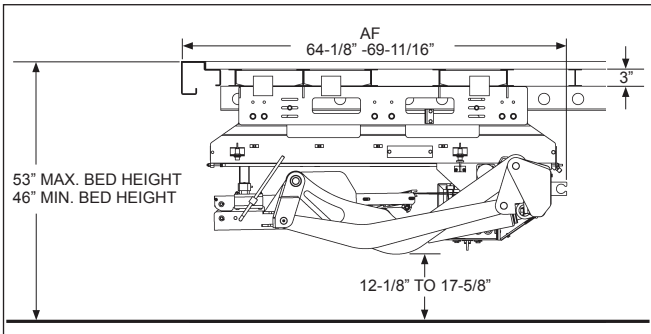
The GPSLR Series



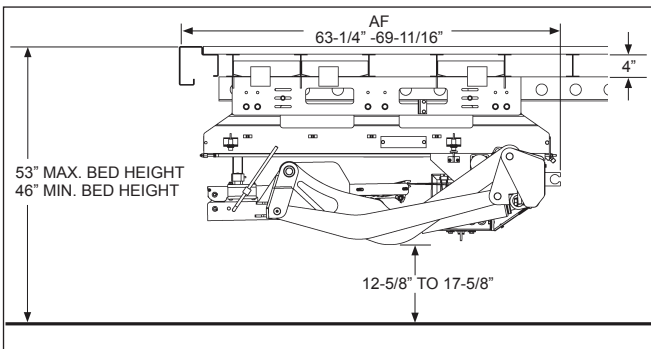
GPSLR SPECIFICATIONS

Level ride, ergonomic design, FMVSS & CMVSS underride certification and the industry's toughest finish create the smartest choice in sliders

- Level ride travel pattern that results in a platform that sits flat on the ground
- Platform features a lightweight aluminum flip over section
- Single and dual aluminum retention ramp options available
- Single and dual cart stops options
- Hydraulic locking system that locks gate securely during transit
- Stress-optimized lift arm design that minimizes arm deflection and optimizes rear trailer seal clearance
- Pump box can be conveniently accessed from rear of trailer
- MAX GRIP® platform anti-slip treatment and Cycle Counter standard



Vehicle With 3" Crossmembers



Vehicle With 4" Crossmembers

NOTE: Please review appropriate liftgate installation manual for full vehicle and or body requirements to ensure proper fitment.

MODEL CAPACITY	PLATFORM SIZE	AF DIMENSION	TOTAL WEIGHT	BED HEIGHT
GPSLR33 (3,300 lbs)	51" x 86" (25" + 26") + 9" Fixed Ramp	63-1/4" - 69-11/16"	1,690 Lbs.	46" Min. with Body Laden
	60" x 86" (25" + 35") + 9" AL Retention Ramp			
GPSLR44 (4,400 lbs)	63" x 86" (37" + 26") + 9" AL Fixed Ramp		1,715 Lbs.	53" Max. with Body Unladen
	72" x 86" (37" + 35") + 9" AL Retention Ramp			

* Actual dimension depends on platform size



SLIDELIFT™ SERIES

The GPSLR Series

MAXON®

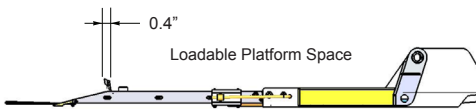
Standard Features

- Cycle Counter
- MAX GRIP Platform Treatment
- Level Ride Platform
- Hydraulic Locking System
- AL Platform with a Lightweight Flip Over
- FMVSS & CMVSS Compliant

Optional Features

- Fixed ramp with single or dual cart stop(s)
- 10" aluminum retention ramp: dual or single
- Battery box / cable kits

Loadable Platform Space with Cart Stops Deployed



Distributed by:

M-182-0320



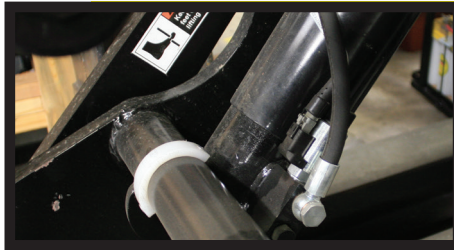
Level Ride

The GPSLR rides level all the way to the ground, similar to a rail liftgate. The platform design allows for loads to be easily loaded on and off because it sits completely flat on the ground.



Aluminum Platform - MAX GRIP®

Lightweight aluminum platform design with recessed hinges provides a flat loading surface over entire width of platform. The platform features dual assist torsion springs that minimize the opening and closing force. Platform surface is cross-hatched for improved slip resistance (MAX GRIP®)



Hydraulic Locking System

The GPSLR features a hydraulic locking system that takes the operator out of the equation. The hydraulic system automatically locks when the gate is in the stow position requiring no additional operator effort.



Lift Arm Design

The GPSLR features a stress-optimized lift arm design that yields two key benefits: First, the stout and solid design provides ample support even when loaded to its rated capacity! Secondly, the design allows to bridge up to 13" rear seal depth without notching.



MAXPRO® Paint or GALVANIZED Finish

This patented, Maxon exclusive paint process has a tough polyurea top coat and an AL rich primer that combat corrosion and keep the liftgate looking like new. For even more corrosion protection, the GPSLR is also available in a galvanized finish. (via SOR process)

Maxon Lift Corp. 11921 Slauon Ave., Santa Fe Springs, CA 90670
800.227.4116 Fax 888.771.7713, www.maxonlift.com