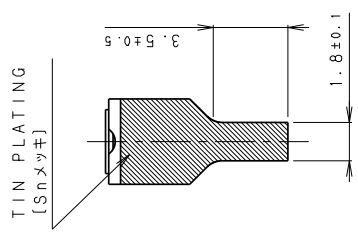
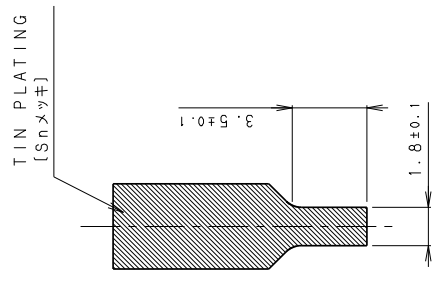
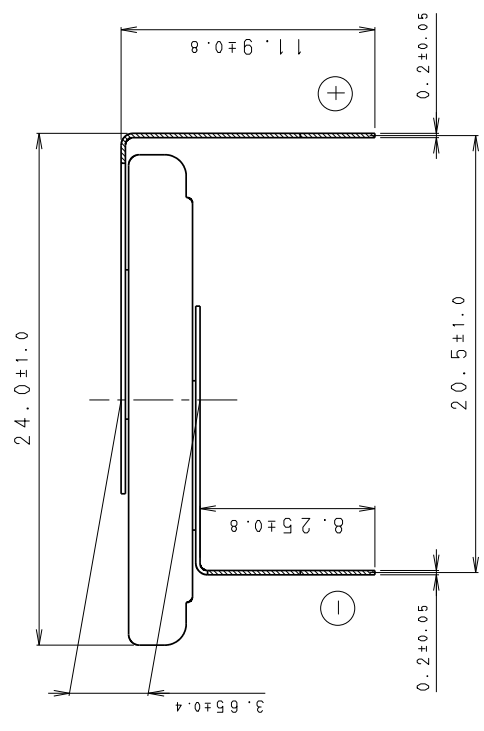
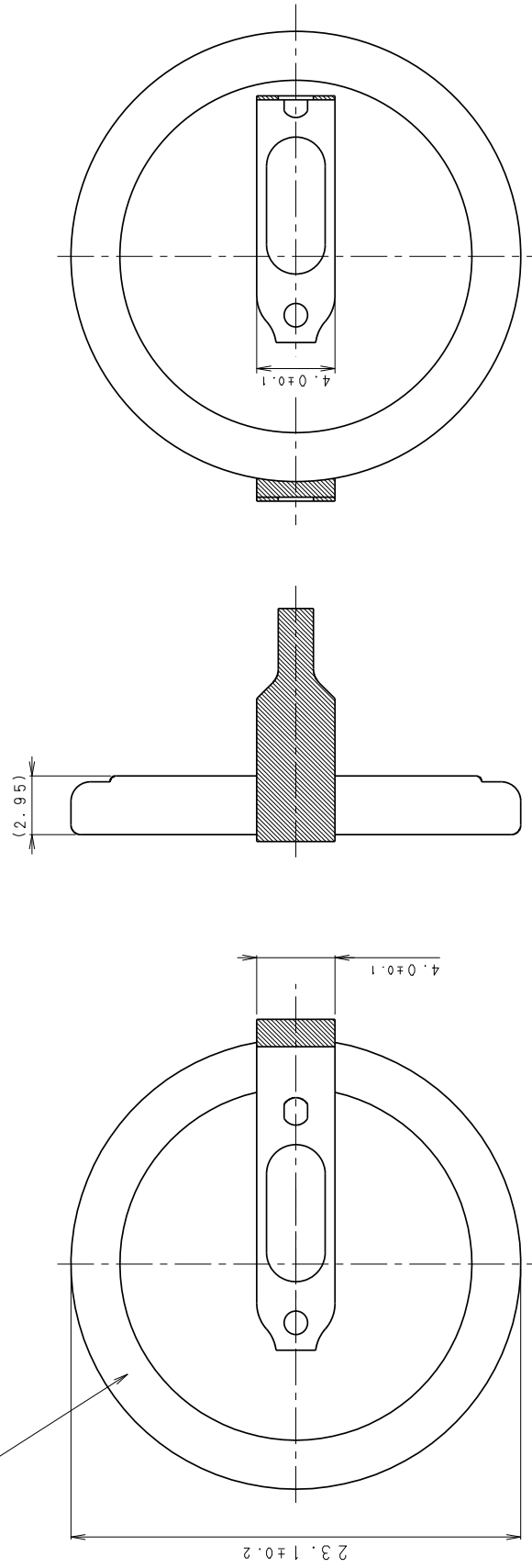


INSULATOR (YELLOW)
[絶縁子黄色・(黄色)]

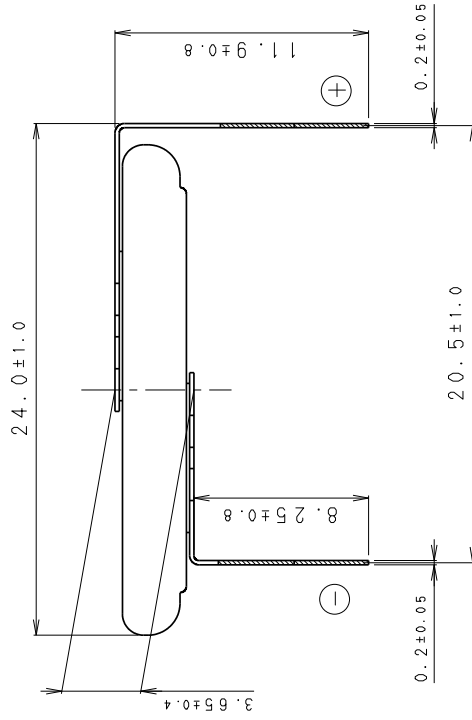
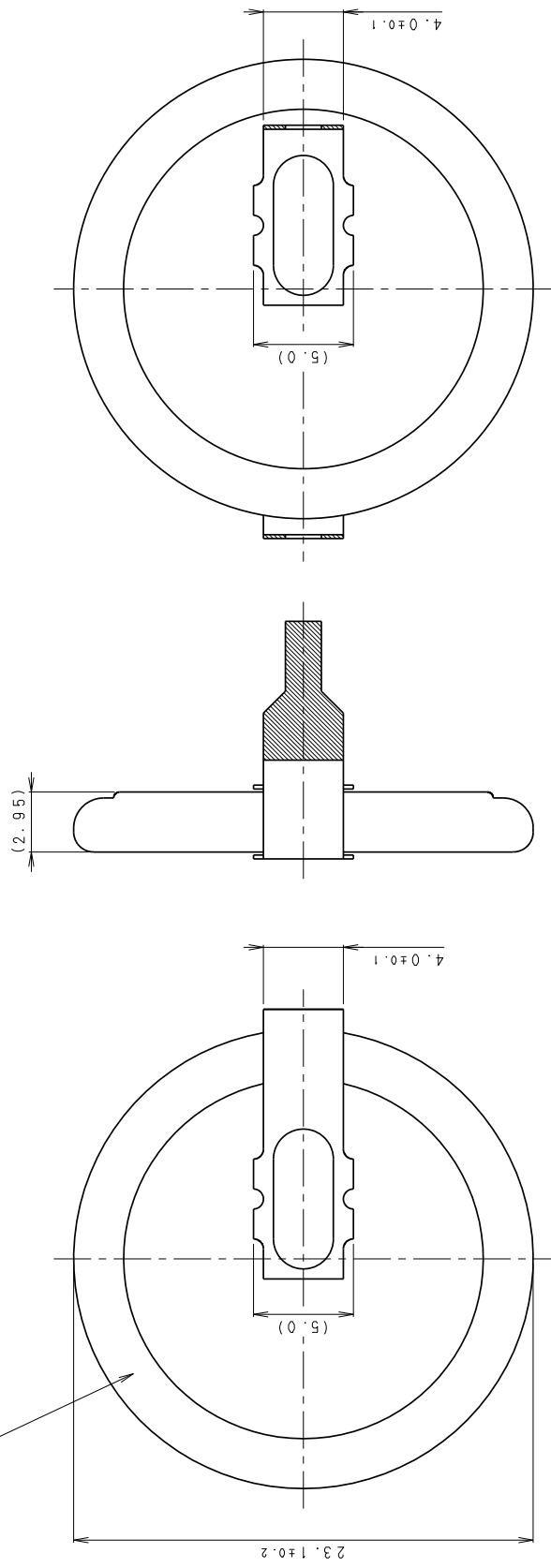


* NOTE (注記)

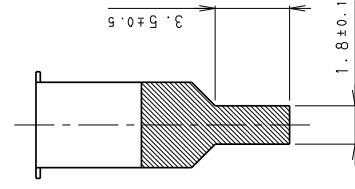
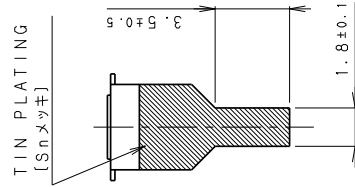
1. TAB PULLING STRENGTH OVER 19.6N (端子溶接強度: 19.6N以上)
2. TAB MATERIAL: STAINLESS STEEL WITH TIN PLATING
[端子材料: 基材 ステンレス/表面 部分Sn x y #]
3. () : REFERENCE DIMENSION AND ANGLE (() 寸法、角度は参考値)

PRODUCT NO.	BR-2330/1HHN	SCALE	4:1
DRAWING NO.	QKHF1Z	REV.	0
		UNIT: mm	

INSULATOR (YELLOW)
[Snメッキ]



TIN PLATING
[Snメッキ]



* NOTE (注記)

1. TAB PULLING STRENGTH OVER 19.6N (端子溶接強度:19.6N以上)
2. TAB MATERIAL: STAINLESS STEEL WITH TIN PLATING
[端子材料: 基材 ステンレス/表面 部分Snメッキ]
3. () : REFERENCE DIMENSION AND ANGLE (() 寸法、角度は参考値)

PRODUCT NO.	BR-2330/1HHN	SCALE	4:1
DRAWING NO.	QKHG1Z	REV.	0
		UNIT: mm	