

# Barriere per bordo laterale su rilevato

Single sided guardrails



# steel safety on roadways

Require Marcegaglia Buildtech full range of steel road safety barriers: from the **steel partner**, steel safety on roadways.

Marcegaglia Buildtech safety barriers solutions are part of Marcegaglia steel production chain and are engineered, assembled then **tested** in order to comply with specific **norm requirements**.

## Certificazioni

*Certifications - Zertifizierungen - Certifications - Certificaciones*

- **RINA ISO 9001:2008** certificato N. 12370/05/S
- **IQNet - CISQ/RINA** Quality Management System **ISO 9001:2008** Registration N. IT-42009
- **Certificati CE** di costanza della prestazione

## Crash tests

*Crash tests - Crash-Tests - Essais de chocs - Crash tests*



## Classe H2 Bordo Laterale - Barriera 3 onde singola su rilevato W3

Class H2 Roadside - 3-waves single sided guardrail W3

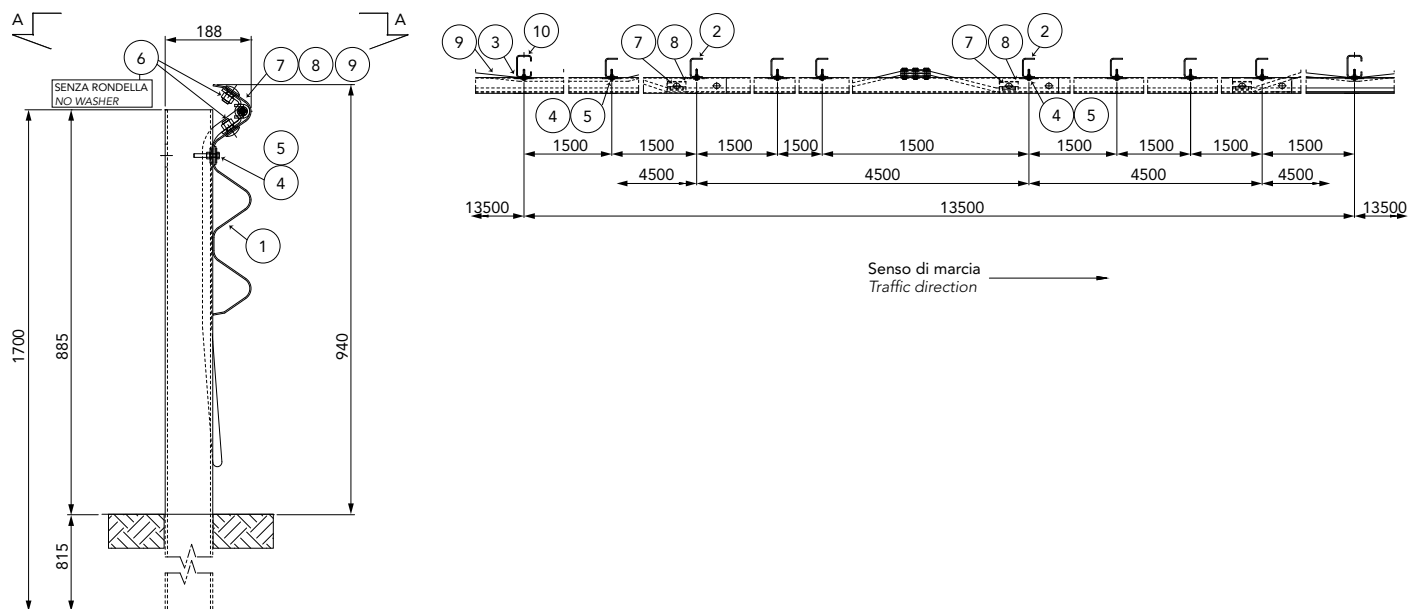
Aufhaltestufe H2 für rammfähige Böden - 3-welliges Rückhaltesystem W3

Classe H2 Bord latéral - Glissière 3 crosses simple sur remblai W3

Clase H2 Borde lateral - Barrera de triple onda simple sobre base terreno W3

# H2-W3

## 3-waves



Giunzione per fune ogni 500 m  
Cable connection every 500 m



### Caratteristiche Characteristics, Eigenschaften, Caractéristiques, Características

|   |         |
|---|---------|
| <b>Altezza fuori terra</b> Height above ground level, Höhe über Grundboden, Hauteur hors sol, Altura sobre el suelo | 940 mm  |
| <b>Profondità d'infissione</b> Depth of penetration, Rammtiefe, Profondeur de piling du poteau, Longitud hincada    | 815 mm  |
| <b>Ingombro trasversale</b> Overall width, Gesamtbreite, Grosseur hors tout, Anchura total                          | 188 mm  |
| <b>Interasse pali</b> Post spacing, Steherabstand, Distance entre poteaux, Distancia entre postes                   | 1500 mm |

### Rapporti di prova Crash test reports, Testberichte, Comptes rendus d'essais, Relaciones de pruebas

| Test n.   | Facility | Test | Type         | Barrier length m | Mass kg | Speed km/h | ASI max 1.4 | THIV max 33 km/h | D m | Vi m | W m    |
|-----------|----------|------|--------------|------------------|---------|------------|-------------|------------------|-----|------|--------|
| PROVA 792 | Aisico   | TB51 | Laterale 20° | 81               | 13.000  | 70         | -           | -                | 0,9 | 1,9  | 1,0=W3 |
| PROVA 787 | Aisico   | TB11 | Laterale 20° | 81               | 900     | 100        | 0,9=A       | 29               | 0,6 | -    | 0,7=W2 |

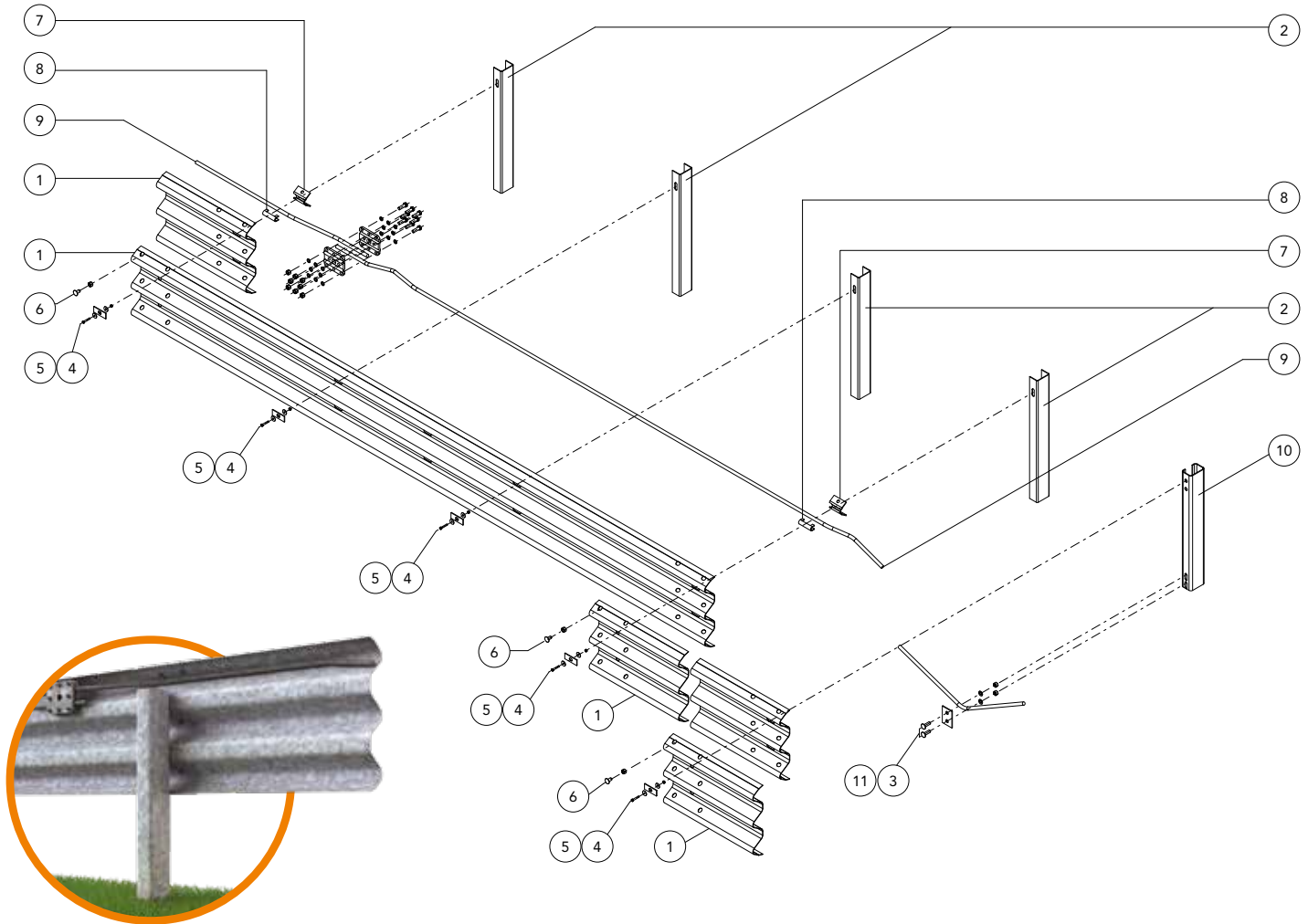
Sales office:

**MARCEGAGLIA BUILDTECH guardrail division**  
 strada Roveri, 4  
 15068 Pozzolo Formigaro, Alessandria - Italy  
 phone +39 . 0143 77 61 • fax +39 . 0143 77 63 53

guardrail@marcegaglia.com  
 www.marcegagliabuildtech.it

Plants:

**MARCEGAGLIA BUILDTECH Pozzolo Formigaro**  
 strada Roveri, 4  
 15068 Pozzolo Formigaro, Alessandria - Italy  
 phone +39 . 0143 77 61 • fax +39 . 0143 77 63 53



**Componenti Components, Bauteile, Composants, Elementos**

|    | Descrizione<br>Description  |                            | Materiale<br>Material |
|----|---|----------------------------|-----------------------|
| 11 | <b>Bullone completo</b> Bolt with nut and washer, Schraube komplett, Boulon complet, Tornillo completo con tuerca y arandela                                      | M16x50 mm                  | Classe 8.8            |
| 10 | <b>Palo "C"</b> C-post, C-Steher, Poteau en C, Poste "C"  | 120x80x30 Th=5 H=2250 mm   | S 235 JR              |
| 9  | <b>Fune in acciaio</b> Steel wire rope, Stahldrahtseil, Câble en acier, Cable de acero  | Ø 20 mm                    | Acc. Zinc.            |
| 8  | <b>Elemento blocco fune n° 2</b> Wire rope locking element nr. 2, Seil-Verriegelungselement Nr. 2, Élément de fixation câble n° 2, Elemento de bloqueo cable n° 2 |                            | S 275 JR              |
| 7  | <b>Elemento blocco fune n° 1</b> Wire rope locking element nr. 1, Seil-Verriegelungselement Nr. 1, Élément de fixation câble n° 1, Elemento de bloqueo cable n° 1 |                            | S 275 JR              |
| 6  | <b>Bullone completo</b> Bolt with nut and washer, Schraube komplett, Boulon complet, Tornillo completo con tuerca y arandela                                      | M16x30 mm                  | Classe 8.8            |
| 5  |   | M8x50 mm                   | Classe 8.8            |
| 4  | <b>Piastrina copriasola</b> Slot covering plate, Lochabdeckplatte, Plaque de couverture fente, Placa cubre-ranura   | 100x40x4 mm                | S 275 JR              |
| 3  | <b>Piastrina</b> Plate, Plättchen, Platine, Platina   | 120x80x5 mm                | S 275 JR              |
| 2  | <b>Palo "U"</b> U-post, U-Steher, Poteau en U, Poste "U"  | 104x65 Th=4 H=1700 mm      | S 235 JR              |
| 1  | <b>Fascia 3 onde</b> 3-waves beam, 3-wellige Leitschiene, Glissière 3 crosses, Banda triple onda  | L=4500/2250/1500 Th=2,5 mm | S 235 JR              |