

Barriere per bordo ponte

Guardrails for bridge



steel safety on roadways

Require Marcegaglia Buildtech full range of steel road safety barriers: from the **steel partner**, steel safety on roadways.

Marcegaglia Buildtech safety barriers solutions are part of Marcegaglia steel production chain and are engineered, assembled then **tested** in order to comply with specific **norm requirements**.

Certificazioni

Certifications - Zertifizierungen - Certifications - Certificaciones

- **RINA ISO 9001:2008** certificato N. 12370/05/S
- **IQNet - CISQ/RINA** Quality Management System **ISO 9001:2008** Registration N. IT-42009
- **Certificati CE** di costanza della prestazione

Crash tests

Crash tests - Crash-Tests - Essais de chocs - Crash tests



Classe H3 Bordo Ponte - Barriera 3 onde per manufatto W5

Class H3 Bridge side - 3-waves guardrail for bridge W5

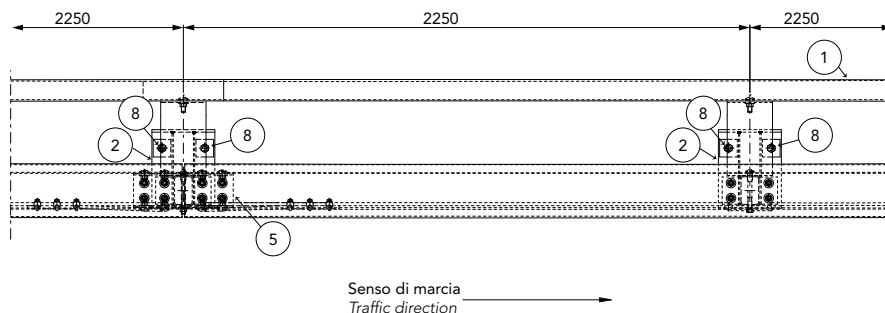
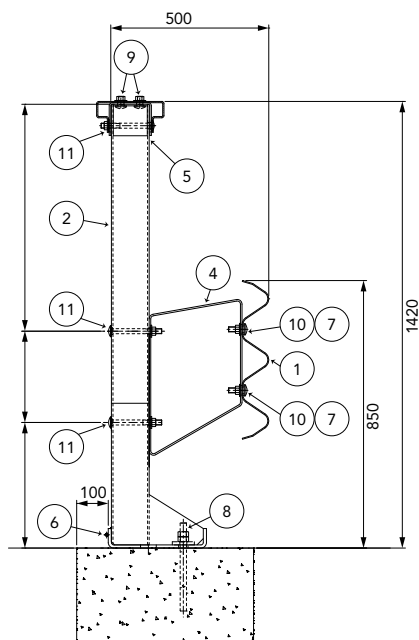
Aufhaltestufe H3 für Kunstbauten - 3-welliges Rückhaltesystem W5

Classe H3 Bord pont - Glissière 3 crosses simple pour pont W5

Clase H3 Borde de puente - Barrera de triple onda simple para base puente W5

H3-W5

3-waves



Caratteristiche Characteristics, Eigenschaften, Caractéristiques, Características

Altezza barriera Barrier height, Höhe Leitplanke, Hauteur glissière de sécurité, Altura barrera	1420 mm
Profondità d'infissione tirafondi Depth of anchor bolts penetration, Einschraubtiefe der Verankerungen, Prondeur de vissage des ancrages, Profundidad de anclaje varilla roscada	200 mm
Ingombro trasversale Overall width, Gesamtbreite, Grosseur hors tout, Anchura total	500 mm
Interasse pali Post spacing, Steherabstand, Distance entre poteaux, Distancia entre postes	2250 mm

Rapporti di prova Crash test reports, Testberichte, Comptes rendus d'essais, Relaciones de pruebas

Test n.	Facility	Test	Type	Barrier length m	Mass kg	Speed km/h	ASI max 1.4	THIV max 33 km/h	D m	Vi m	W m
PROVA 880	Aisico	TB61	Laterale 20°	85,5	16.000	80	-	-	1,4	1,8	1,7=W5
PROVA 879	Aisico	TB11	Laterale 20°	85,5	900	100	1,3=B	25	0,4	-	0,5=W1

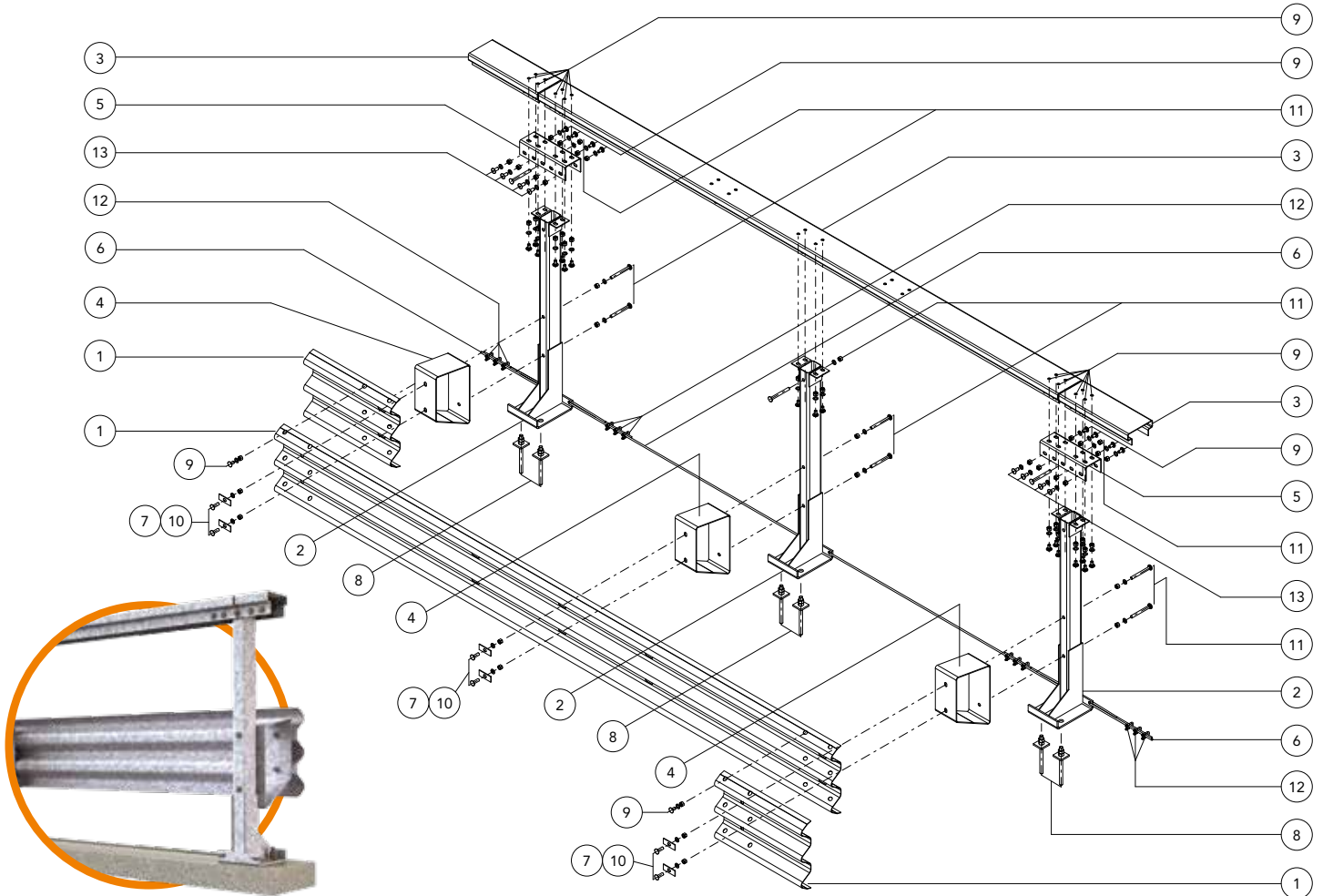
Sales office:

MARCEGAGLIA BUILDTECH guardrail division
 strada Roveri, 4
 15068 Pozzolo Formigaro, Alessandria - Italy
 phone +39 . 0143 77 61 • fax +39 . 0143 77 63 53

guardrail@marcegaglia.com
 www.marcegagliabuildtech.it

Plants:

MARCEGAGLIA BUILDTECH Pozzolo Formigaro
 strada Roveri, 4
 15068 Pozzolo Formigaro, Alessandria - Italy
 phone +39 . 0143 77 61 • fax +39 . 0143 77 63 53



Componenti Components, Bauteile, Composants, Elementos

	Descrizione Description		Materiale Material
12	Morsetto per fune Cable clamp, Schraubklemme für Stahlseil, Serre-câble, Grapa para cable		Acc. zinc.
13		M16x35 mm	Classe 8.8
11	Bullone completo Bolt with nut and washer, Schraube komplett, Boulon complet, Tornillo completo con tuerca y arandela	M16x170 mm	Classe 8.8
10		M16x50 mm	Classe 8.8
9		M16x30 mm	Classe 8.8
8	Tirafondo + dadi + 1 rondella Anchor bolt + nuts + 1 washer, Verbundklebeankerschraube + Mütter + 1 Unterlegscheibe, Tire-fond + écrous + 1 rondelle, Varilla Roscada + tuercas + 1 arandela	M20x280 mm	Classe 8.8
7	Piastrina copriasola Slot covering plate, Lochabdeckplatte, Plaque de couverture fente, Placa cubre-ranura	100x40x4 mm	S 275 JR
6	Fune Wire rope, Seil, Câble, Cable	Ø12 L=6000 mm	Acc. zinc.
5	Collegamento trave "U" U-profile for beam connection, U-Profil Für Geländerverbindung, Pièce de raccordement à "U", Perfil de conexión "U"	L=396 mm	S 355 JR
4	Distanziatore romboidale Rhomboidal spacer, Rhomboidisch. Abstandhalter, Entretoise en losange, Separador romboidal	Th=5 mm	S 235 JR
3	Trave superiore Upper T-beam, Geländerträger, Poutre supérieure, Viga superior	L=4490 Sv=450 mm	S 355 JR
2	Palo in tubo con piastra Rectangular tube post with base plate, Vierkantrohrsteher mit Grundplatte, Poteau tubulaire avec plaque, Poste de tubo con placa	120x80 Th=5 H=1420 mm	S 275 JR
1	Fascia 3 onde 3-waves beam, 3-wellige Leitschiene, Glissière 3 crosses, Banda triple onda	L=4816 (2250x2) Th=2,5 mm	S 235 JR