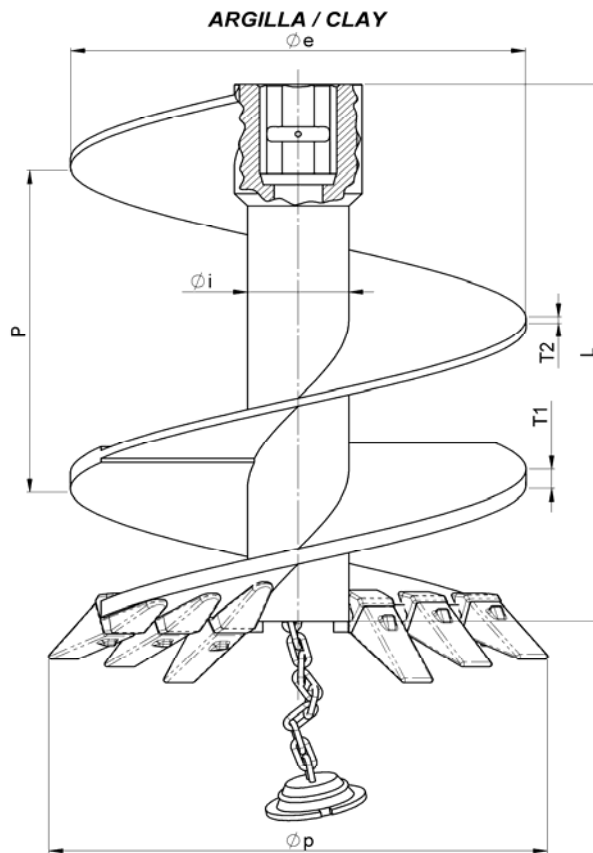


## Punte da argilla per aste elicoidali CFA Clay head for CFA system



Diam. esterno	Diam. di perforaz.	D. interno (D. tubo) x spess. tubo	Passo	Spessore Spira	Spessore Spira	Mom. torcente massimo		Attacco	Lungh.	Codice	
External Diam.	Drilling diameter	Internal Diam. (Pipe Diam.) x pipe th.	Pitch	Flight Thickness	Flight Thickness	Maximum torque		Coupl.	Length	Part Number	
$\phi_e$ (mm)	$\phi_p$ (mm)	$\phi_i$ (mm)	P (mm)	T2 (mm)	T1 (mm)	N · m	Ton-m		L (mm)		
180	200	101 x 12,5	200	8	20	29000	3	80/50	1000	CF0P018-100-80-11-15	
									1500	CF0P018-150-80-11-15	
									2000	CF0P018-200-80-11-15	
200	220	114 x 10	200	10	20	44000	4,5	80/50	1000	CF0P020-100-80-12-25	
									1500	CF0P020-150-80-12-25	
									2000	CF0P020-200-80-12-25	
		114 x 10	200	10	20	44000	4,5	120/80	120/80	1000	CF0P020-100-12-12-25
										1500	CF0P020-150-12-12-25
										2000	CF0P020-200-12-12-25
		127 x 10	200	10	20	59000	6	120/80	120/80	1000	CF0P020-100-12-13-25
										1500	CF0P020-150-12-13-25
										2000	CF0P020-200-12-13-25
		139 x 20	200	10	20	103000	10,5	120/80	120/80	1000	CF0P020-100-12-14-25
										1500	CF0P020-150-12-14-25
										2000	CF0P020-200-12-14-25
250	270	114 x 10	250	12	20	44000	4,5	80/50	1000	CF0P025-100-80-12-35	
									1500	CF0P025-150-80-12-35	
									2000	CF0P025-200-80-12-35	
		114 x 10	250	12	20	44000	4,5	120/80	120/80	1000	CF0P025-100-12-12-35
										1500	CF0P025-150-12-12-35
										2000	CF0P025-200-12-12-35
		127 x 10	250	12	20	59000	6	120/80	120/80	1000	CF0P025-100-12-13-35
										1500	CF0P025-150-12-13-35
										2000	CF0P025-200-12-13-35
		139 x 20	250	12	20	103000	10,5	120/80	120/80	1000	CF0P025-100-12-14-35
										1500	CF0P025-150-12-14-35
										2000	CF0P025-200-12-14-35

Diam. esterno	Diam. di perforaz.	D. interno (D. tubo) x spess. tubo	Passo	Spessore Spira	Spessore Spira	Mom. torcente massimo		Attacco	Lunghezza	Codice		
External Diam.	Drilling diameter	Internal Diam. (Pipe Diam.) x pipe th.	Pitch	Flight Thickness	Flight Thickness	Maximum torque		Coupl.	Length	Part Number		
Øe (mm)	Øp (mm)	Øi (mm)	P (mm)	T2 (mm)	T1 (mm)	N · m	Ton-m		L (mm)			
300	320	114 x 10	250	14	20	44000	4,5	80/50	1000	CF0P030-100-80-12-45		
									1500	CF0P030-150-80-12-45		
									2000	CF0P030-200-80-12-45		
		114 x 10	250	14	20	44000	4,5	120/80	1000	CF0P030-100-12-12-45		
									1500	CF0P030-150-12-12-45		
									2000	CF0P030-200-12-12-45		
		127 x 10	250	14	20	59000	6	120/80	1000	CF0P030-100-12-13-45		
									1500	CF0P030-150-12-13-45		
									2000	CF0P030-200-12-13-45		
		139 x 20	250	14	20	103000	10,5	HD4	1000	CF0P030-100-H4-14-45		
									1500	CF0P030-150-H4-14-45		
									2000	CF0P030-200-H4-14-45		
350	370	114 x 10	250	14	20	44000	4,5	80/50	1000	CF0P035-100-80-12-45		
									1500	CF0P035-150-80-12-45		
									2000	CF0P035-200-80-12-45		
		114 x 10	250	14	20	44000	4,5	120/80	1000	CF0P035-100-12-12-45		
									1500	CF0P035-150-12-12-45		
									2000	CF0P035-200-12-12-45		
		127 x 10	250	14	20	59000	6	120/80	1000	CF0P035-100-12-13-45		
									1500	CF0P035-150-12-13-45		
									2000	CF0P035-200-12-13-45		
		139 x 20	250	14	20	103000	10,5	HD4	1000	CF0P035-100-H4-14-45		
									1500	CF0P035-150-H4-14-45		
									2000	CF0P035-200-H4-14-45		
		152,4 x 14,2	250	14	20	118000	12	160/125	1000	CF1P035-100-80-15-45		
									1500	CF1P035-150-80-15-45		
									2000	CF1P035-200-80-15-45		
		159 x 16	250	20	30	147000	15	160/125	1000	CF2P035-100-16-16-57		
									1500	CF2P035-150-16-16-57		
									2000	CF2P035-200-16-16-57		
		168 x 20	250	20	30	177000	18	160/125	1000	CF3P035-100-16-17-57		
									1500	CF3P035-150-16-17-57		
									2000	CF3P035-200-16-17-57		
		400	420	127 x 10	400	14	20	59000	6	120/80	1000	CF0P040-100-12-13-45
											1500	CF0P040-150-12-13-45
											2000	CF0P040-200-12-13-45
139 x 20	400			14	20	103000	10,5	160/125	1000	CF0P040-100-16-14-45		
									1500	CF0P040-150-16-14-45		
									2000	CF0P040-200-16-14-45		
152,4 x 14,2	400			14	20	118000	12	160/125	1000	CF1P040-100-16-15-45		
									1500	CF1P040-150-16-15-45		
									2000	CF1P040-200-16-15-45		
159 x 16	400			14	20	147000	15	160/125	1000	CF2P040-100-16-16-45		
									1500	CF2P040-150-16-16-45		
									2000	CF2P040-200-16-16-45		
168 x 20	400			20	30	177000	18	160/125	1000	CF3P040-100-16-17-55		
									1500	CF3P040-150-16-17-57		
									2000	CF3P040-200-16-17-57		
177,8 x 20	400			20	30	216000	22	XHD5	1000	CF4P040-100-X5-18-57		
									1500	CF4P040-150-X5-18-57		
									2000	CF4P040-200-X5-18-57		
219 x 20 133 x 4 <i>Doppio tubo coassiale</i> <i>Double coaxial pipe</i>	400			20	40	245000	25	200/125	1000	CF5P040-100-20-D1-57		
									1500	CF5P040-150-20-D1-57		
									2000	CF5P040-200-20-D1-58		

Diam. esterno	Diam. di perforaz.	D. interno (D. tubo) x spess. tubo	Passo	Spessore Spira	Spessore Spira	Mom. torcente massimo		Attacco	Lunghezza	Codice		
External Diam.	Drilling diameter	Internal Diam. (Pipe Diam.) x pipe th.	Pitch	Flight Thickness	Flight Thickness	Maximum torque		Coupl.	Length	Part Number		
Øe (mm)	Øp (mm)	Øi (mm)	P (mm)	T2 (mm)	T1 (mm)	N · m	Ton-m		L (mm)			
450	470	152,4 x 25	400	14	20	103000	10,5	HD4	1000	CF0P045-100-H4-15-45		
									1500	CF0P045-150-H4-15-45		
									2000	CF0P045-200-H4-15-45		
		152,4 x 14,2	400	14	20	118000	12	160/125	1000	CF1P045-100-16-15-45		
									1500	CF1P045-150-16-15-45		
									2000	CF1P045-200-16-15-45		
		152,4 x 14,2	400	14	20	118000	12	HD5	1000	CF1P045-100-H5-15-45		
									1500	CF1P045-150-H5-15-45		
									2000	CF1P045-200-H5-15-45		
		159 x 16	400	14	20	147000	15	160/125	1000	CF2P045-100-16-16-45		
									1500	CF2P045-150-16-16-45		
									2000	CF2P045-200-16-16-45		
		159 x 16	400	14	20	147000	15	HD5	1000	CF2P045-100-H5-16-45		
									1500	CF2P045-150-H5-16-45		
									2000	CF2P045-200-H5-16-45		
		168 x 20	400	20	30	177000	18	160/125	1000	CF3P045-100-16-17-57		
									1500	CF3P045-150-16-17-57		
									2000	CF3P045-200-16-17-57		
		168 x 20	400	20	30	177000	18	HD5	1000	CF3P045-100-H5-17-57		
									1500	CF3P045-150-H5-17-57		
									2000	CF3P045-200-H5-17-57		
		177,8 x 20	400	20	30	216000	22	160/125	1000	CF4P045-100-X5-18-57		
									1500	CF4P045-150-X5-18-57		
									2000	CF4P045-200-X5-18-57		
		177,8 x 20	400	20	30	216000	22	HD5	1000	CF4P045-100-H5-18-57		
									1500	CF4P045-150-H5-18-57		
									2000	CF4P045-200-H5-18-57		
		219 x 20 133 x 4 <i>Doppio tubo coassiale Double coaxial pipe</i>	400	20	30	245000	25	200/125	1000	CF5P045-100-20-D1-57		
									1500	CF5P045-150-20-D1-57		
									2000	CF5P045-200-20-D1-57		
		219 x 20 133 x 4 <i>Doppio tubo coassiale Double coaxial pipe</i>	400	20	40	245000	25	XHD5	1000	CF5P045-100-X5-D1-58		
									1500	CF5P045-150-X5-D1-58		
									2000	CF5P045-200-X5-D1-58		
		500	520	152,4 x 25	400	14	20	103000	10,5	HD4	1000	CF0P050-100-H4-15-45
											1500	CF0P050-150-H4-15-45
											2000	CF0P050-200-H4-15-45
152,4 x 14,2	400			14	20	118000	12	160/125	1000	CF1P050-100-16-15-45		
									1500	CF1P050-150-16-15-45		
									2000	CF1P050-200-16-15-45		
152,4 x 14,2	400			14	20	118000	12	HD5	1000	CF1P050-100-H5-15-45		
									1500	CF1P050-150-H5-15-45		
									2000	CF1P050-200-H5-15-45		
159 x 16	400			14	20	147000	15	160/125	1000	CF2P050-100-16-16-45		
									1500	CF2P050-150-16-16-45		
									2000	CF2P050-200-16-16-45		
159 x 16	400			14	20	147000	15	HD5	1000	CF2P050-100-H5-16-45		
									1500	CF2P050-150-H5-16-45		
									2000	CF2P050-200-H5-16-45		
168 x 20	400			20	30	177000	18	160/125	1000	CF3P050-100-16-17-57		
									1500	CF3P050-150-16-17-57		
									2000	CF3P050-200-16-17-57		
168 x 20	400			20	30	177000	18	HD5	1000	CF3P050-100-H5-17-57		
									1500	CF3P050-150-H5-17-57		
									2000	CF3P050-200-H5-17-57		
177,8 x 20	400			20	30	216000	22	160/125	1000	CF4P050-100-X5-18-57		
									1500	CF4P050-150-X5-18-57		
									2000	CF4P050-200-X5-18-57		
177,8 x 20	400			20	30	216000	22	HD5	1000	CF4P050-100-H5-18-57		
									1500	CF4P050-150-H5-18-57		
									2000	CF4P050-200-H5-18-57		

Diam. esterno	Diam. di perforaz.	D. interno (D. tubo) x spess. tubo	Passo	Spessore Spira	Spessore Spira	Mom. torcente massimo		Attacco	Lungh.	Codice
External Diam.	Drilling diameter	Internal Diam. (Pipe Diam.) x pipe th.	Pitch	Flight Thickness	Flight Thickness	Maximum torque		Coupl.	Length	Part Number
Øe (mm)	Øp (mm)	Øi (mm)	P (mm)	T2 (mm)	T1 (mm)	N · m	Ton-m		L (mm)	
500	520	219 x 20 133 x 4 <i>Doppio tubo coassiale Double coaxial pipe</i>	400	20	30	245000	25	200/125	1000	CF5P050-100-20-D1-57
									1500	CF5P050-150-20-D1-57
									2000	CF5P050-200-20-D1-57
		219 x 20 133 x 4 <i>Doppio tubo coassiale Double coaxial pipe</i>	400	20	30	245000	25	XHD5	1000	CF5P050-100-X5-D1-57
									1500	CF5P050-150-X5-D1-57
									2000	CF5P050-200-X5-D1-57
		273 x 20 133 x 4 <i>Doppio tubo coassiale Double coaxial pipe</i>	400	20	40	294000	30	200/125X	1000	CF6P050-100-2X-D2-58
									1500	CF6P050-150-2X-D2-58
									2000	CF6P050-200-2X-D2-58
		273 x 20 133 x 4 <i>Doppio tubo coassiale Double coaxial pipe</i>	400	20	40	294000	30	25-HD5	1000	CF6P050-100-25-D2-58
									1500	CF6P050-150-25-D2-58
									2000	CF6P050-200-25-D2-58
600	620	152,4 x 25	500	14	20	103000	10,5	HD4	1000	CF0P060-100-H4-15-45
									1500	CF0P060-150-H4-15-45
									2000	CF0P060-200-H4-15-45
		152,4 x 14,2	500	14	20	118000	12	160/125	1000	CF1P060-100-16-15-45
									1500	CF1P060-150-16-15-45
									2000	CF1P060-200-16-15-45
		152,4 x 14,2	500	14	20	118000	12	HD5	1000	CF1P060-100-H5-15-45
									1500	CF1P060-150-H5-15-45
									2000	CF1P060-200-H5-15-45
		159 x 16	500	14	20	147000	15	160/125	1000	CF2P060-100-16-16-45
									1500	CF2P060-150-16-16-45
									2000	CF2P060-200-16-16-45
		159 x 16	500	14	20	147000	15	HD5	1000	CF2P060-100-H5-16-45
									1500	CF2P060-150-H5-16-45
									2000	CF2P060-200-H5-16-45
		168 x 20	500	20	30	177000	18	160/125	1000	CF3P060-100-16-17-57
									1500	CF3P060-150-16-17-57
									2000	CF3P060-200-16-17-57
		168 x 20	500	20	30	177000	18	HD5	1000	CF3P060-100-H5-17-57
									1500	CF3P060-150-H5-17-57
									2000	CF3P060-200-H5-17-57
		177,8 x 20	500	20	30	216000	22	160/125	1000	CF4P060-100-X5-18-57
									1500	CF4P060-150-X5-18-57
									2000	CF4P060-200-X5-18-57
		177,8 x 20	500	20	30	216000	22	HD5	1000	CF4P060-100-H5-18-57
									1500	CF4P060-150-H5-18-57
									2000	CF4P060-200-H5-18-57
		219 x 20 133 x 4 <i>Doppio tubo coassiale Double coaxial pipe</i>	500	20	30	245000	25	200/125	1000	CF5P060-100-20-D1-57
									1500	CF5P060-150-20-D1-57
									2000	CF5P060-200-20-D1-57
219 x 20 133 x 4 <i>Doppio tubo coassiale Double coaxial pipe</i>	500	20	30	245000	25	XHD5	1000	CF5P060-100-X5-D1-57		
							1500	CF5P060-150-X5-D1-57		
							2000	CF5P060-200-X5-D1-57		
273 x 20 133 x 4 <i>Doppio tubo coassiale Double coaxial pipe</i>	500	20	40	294000	30	200/125X	1000	CF6P060-100-2X-D2-58		
							1500	CF6P060-150-2X-D2-58		
							2000	CF6P060-200-2X-D2-58		
273 x 20 133 x 4 <i>Doppio tubo coassiale Double coaxial pipe</i>	500	20	40	294000	30	25-HD5	1000	CF6P060-100-25-D2-58		
							1500	CF6P060-150-25-D2-58		
							2000	CF6P060-200-25-D2-58		

Diam. esterno	Diam. di perforaz.	D. interno (D. tubo) x spess. tubo	Passo	Spessore Spira	Spessore Spira	Mom. torcente massimo		Attacco	Lunghezza	Codice
External Diam.	Drilling diameter	Internal Diam. (Pipe Diam.) x pipe th.	Pitch	Flight Thickness	Flight Thickness	Maximum torque		Coupl.	Length	Part Number
Øe (mm)	Øp (mm)	Øi (mm)	P (mm)	T2 (mm)	T1 (mm)	N · m	Ton-m		L (mm)	
700	720	152,4 x 25	600	14	20	103000	10,5	HD4	1000	CF0P070-100-H4-15-45
									1500	CF0P070-150-H4-15-45
									2000	CF0P070-200-H4-15-45
		152,4 x 14,2	600	14	20	118000	12	160/125	1000	CF1P070-100-16-15-45
									1500	CF1P070-150-16-15-45
									2000	CF1P070-200-16-15-45
		152,4 x 14,2	600	14	20	118000	12	HD5	1000	CF1P070-100-H5-15-45
									1500	CF1P070-150-H5-15-45
									2000	CF1P070-200-H5-15-45
		159 x 16	600	14	20	147000	15	160/125	1000	CF2P070-100-16-16-45
									1500	CF2P070-150-16-16-45
									2000	CF2P070-200-16-16-45
		159 x 16	600	14	20	147000	15	HD5	1000	CF2P070-100-H5-16-45
									1500	CF2P070-150-H5-16-45
									2000	CF2P070-200-H5-16-45
		168 x 20	600	20	30	177000	18	160/125	1000	CF3P070-100-16-17-57
									1500	CF3P070-150-16-17-57
									2000	CF3P070-200-16-17-57
		168 x 20	600	20	30	177000	18	HD5	1000	CF3P070-100-H5-17-57
									1500	CF3P070-150-H5-17-57
									2000	CF3P070-200-H5-17-57
		177,8 x 20	600	20	30	216000	22	160/125	1000	CF4P070-100-X5-18-57
									1500	CF4P070-150-X5-18-57
									2000	CF4P070-200-X5-18-57
		177,8 x 20	600	20	30	216000	22	HD5	1000	CF4P070-100-H5-18-57
									1500	CF4P070-150-H5-18-57
									2000	CF4P070-200-H5-18-57
		219 x 20 133 x 4 <i>Doppio tubo coassiale Double coaxial pipe</i>	600	20	30	245000	25	200/125	1000	CF5P070-100-20-D1-57
									1500	CF5P070-150-20-D1-57
									2000	CF5P070-200-20-D1-57
		219 x 20 133 x 4 <i>Doppio tubo coassiale Double coaxial pipe</i>	600	20	30	245000	25	XHD5	1000	CF5P070-100-X5-D1-57
									1500	CF5P070-150-X5-D1-57
									2000	CF5P070-200-X5-D1-57
		273 x 20 133 x 4 <i>Doppio tubo coassiale Double coaxial pipe</i>	600	20	40	294000	30	200/125X	1000	CF6P070-100-2X-D2-58
									1500	CF6P070-150-2X-D2-58
									2000	CF6P070-200-2X-D2-58
273 x 20 133 x 4 <i>Doppio tubo coassiale Double coaxial pipe</i>	600	20	40	294000	30	25-HD5	1000	CF6P070-100-25-D2-58		
							1500	CF6P070-150-25-D2-58		
							2000	CF6P070-200-25-D2-58		
800	820	152,4 x 25	600	14	20	103000	10,5	HD4	1000	CF0P080-100-H4-15-45
									1500	CF0P080-150-H4-15-45
									2000	CF0P080-200-H4-15-45
		152,4 x 14,2	600	14	20	118000	12	160/125	1000	CF1P080-100-16-15-45
									1500	CF1P080-150-16-15-45
									2000	CF1P080-200-16-15-45
		152,4 x 14,2	600	14	20	118000	12	HD5	1000	CF1P080-100-H5-15-45
									1500	CF1P080-150-H5-15-45
									2000	CF1P080-200-H5-15-45
		159 x 16	600	14	20	147000	15	160/125	1000	CF2P080-100-16-16-45
									1500	CF2P080-150-16-16-45
									2000	CF2P080-200-16-16-45
		159 x 16	600	14	20	147000	15	HD5	1000	CF2P080-100-H5-16-45
									1500	CF2P080-150-H5-16-45
									2000	CF2P080-200-H5-16-45
		168 x 20	600	20	30	177000	18	160/125	1000	CF3P080-100-16-17-57
									1500	CF3P080-150-16-17-57
									2000	CF3P080-200-16-17-57
		168 x 20	600	20	30	177000	18	HD5	1000	CF3P080-100-H5-17-57
									1500	CF3P080-150-H5-17-57
									2000	CF3P080-200-H5-17-57
		177,8 x 20	600	20	30	216000	22	160/125	1000	CF4P080-100-X5-18-57
									1500	CF4P080-150-X5-18-57
									2000	CF4P080-200-X5-18-57

Diam. esterno	Diam. di perforaz.	D. interno (D. tubo) x spess. tubo	Passo	Spessore Spira	Spessore Spira	Mom. torcente massimo		Attacco	Lunghezza	Codice
External Diam.	Drilling diameter	Internal Diam. (Pipe Diam.) x pipe th.	Pitch	Flight Thickness	Flight Thickness	Maximum torque		Coupl.	Length	Part Number
Øe (mm)	Øp (mm)	Øi (mm)	P (mm)	T2 (mm)	T1 (mm)	N · m	Ton-m		L (mm)	
800	820	177,8 x 20	600	20	30	216000	22	HD5	1000	CF4P080-100-H5-18-57
									1500	CF4P080-150-H5-18-57
									2000	CF4P080-200-H5-18-57
		219 x 20 133 x 4 <i>Doppio tubo coassiale Double coaxial pipe</i>	600	20	30	245000	25	200/125	1000	CF5P080-100-20-D1-57
									1500	CF5P080-150-20-D1-57
									2000	CF5P080-200-20-D1-57
		219 x 20 133 x 4 <i>Doppio tubo coassiale Double coaxial pipe</i>	600	20	30	245000	25	XHD5	1000	CF5P080-100-X5-D1-57
									1500	CF5P080-150-X5-D1-57
									2000	CF5P080-200-X5-D1-57
		273 x 20 133 x 4 <i>Doppio tubo coassiale Double coaxial pipe</i>	600	20	40	294000	30	200/125X	1000	CF6P080-100-2X-D2-58
									1500	CF6P080-150-2X-D2-58
									2000	CF6P080-200-2X-D2-58
		273 x 20 133 x 4 <i>Doppio tubo coassiale Double coaxial pipe</i>	600	20	40	294000	30	25-HD5	1000	CF6P080-100-25-D2-58
									1500	CF6P080-150-25-D2-58
									2000	CF6P080-200-25-D2-58
900	920	152,4 x 25	600	14	20	103000	10,5	HD4	1000	CF0P090-100-H4-15-45
									1500	CF0P090-150-H4-15-45
									2000	CF0P090-200-H4-15-45
		152,4 x 14,2	600	14	20	118000	12	160/125	1000	CF1P090-100-16-15-45
									1500	CF1P090-150-16-15-45
									2000	CF1P090-200-16-15-45
		152,4 x 14,2	600	14	20	118000	12	HD5	1000	CF1P090-100-H5-15-45
									1500	CF1P090-150-H5-15-45
									2000	CF1P090-200-H5-15-45
		159 x 16	600	14	20	147000	15	160/125	1000	CF2P090-100-16-16-45
									1500	CF2P090-150-16-16-45
									2000	CF2P090-200-16-16-45
		159 x 16	600	14	20	147000	15	HD5	1000	CF2P090-100-H5-16-45
									1500	CF2P090-150-H5-16-45
									2000	CF2P090-200-H5-16-45
		168 x 20	600	20	30	177000	18	160/125	1000	CF3P090-100-16-17-57
									1500	CF3P090-150-16-17-57
									2000	CF3P090-200-16-17-57
		168 x 20	600	20	30	177000	18	HD5	1000	CF3P090-100-H5-17-57
									1500	CF3P090-150-H5-17-57
									2000	CF3P090-200-H5-17-57
		177,8 x 20	600	20	30	216000	22	160/125	1000	CF4P090-100-X5-18-57
									1500	CF4P090-150-X5-18-57
									2000	CF4P090-200-X5-18-57
		177,8 x 20	600	20	30	216000	22	HD5	1000	CF4P090-100-H5-18-57
									1500	CF4P090-150-H5-18-57
									2000	CF4P090-200-H5-18-57
219 x 20 133 x 4 <i>Doppio tubo coassiale Double coaxial pipe</i>	600	20	30	245000	25	200/125	1000	CF5P090-100-20-D1-57		
							1500	CF5P090-150-20-D1-57		
							2000	CF5P090-200-20-D1-57		
219 x 20 133 x 4 <i>Doppio tubo coassiale Double coaxial pipe</i>	600	20	30	245000	25	XHD5	1000	CF5P090-100-X5-D1-57		
							1500	CF5P090-150-X5-D1-57		
							2000	CF5P090-200-X5-D1-57		
273 x 20 133 x 4 <i>Doppio tubo coassiale Double coaxial pipe</i>	600	20	40	294000	30	200/125X	1000	CF6P090-100-2X-D2-58		
							1500	CF6P090-150-2X-D2-58		
							2000	CF6P090-200-2X-D2-58		
273 x 20 133 x 4 <i>Doppio tubo coassiale Double coaxial pipe</i>	600	20	40	294000	30	25-HD5	1000	CF6P090-100-25-D2-58		
							1500	CF6P090-150-25-D2-58		
							2000	CF6P090-200-25-D2-58		

Diam. esterno	Diam. di perforaz.	D. interno (D. tubo) x spess. tubo	Passo	Spessore Spira	Spessore Spira	Mom. torcente massimo		Attacco	Lungh.	Codice		
External Diam.	Drilling diameter	Internal Diam. (Pipe Diam.) x pipe th.	Pitch	Flight Thickness	Flight Thickness	Maximum torque		Coupl.	Length	Part Number		
Øe (mm)	Øp (mm)	Øi (mm)	P (mm)	T2 (mm)	T1 (mm)	N · m	Ton-m		L (mm)			
1000	1020	152,4 x 14,2	600	14	20	118000	12	160/125	1000	CF1P100-100-16-15-45		
									1500	CF1P100-150-16-15-45		
									2000	CF1P100-200-16-15-45		
		152,4 x 14,2	600	14	20	118000	12	118000	12	HD5	1000	CF1P100-100-H5-15-45
											1500	CF1P100-150-H5-15-45
											2000	CF1P100-200-H5-15-45
		159 x 16	600	14	20	147000	15	147000	15	160/125	1000	CF2P100-100-16-16-45
											1500	CF2P100-150-16-16-45
											2000	CF2P100-200-16-16-45
		159 x 16	600	14	20	147000	15	147000	15	HD5	1000	CF2P100-100-H5-16-45
											1500	CF2P100-150-H5-16-45
											2000	CF2P100-200-H5-16-45
		168 x 20	600	20	30	177000	18	177000	18	160/125	1000	CF3P100-100-16-17-57
											1500	CF3P100-150-16-17-57
											2000	CF3P100-200-16-17-57
		168 x 20	600	20	30	177000	18	177000	18	HD5	1000	CF3P100-100-H5-17-57
											1500	CF3P100-150-H5-17-57
											2000	CF3P100-200-H5-17-57
		177,8 x 20	600	20	30	216000	22	216000	22	160/125	1000	CF4P100-100-X5-18-57
											1500	CF4P100-150-X5-18-57
											2000	CF4P100-200-X5-18-57
		177,8 x 20	600	20	30	216000	22	216000	22	HD5	1000	CF4P100-100-H5-18-57
											1500	CF4P100-150-H5-18-57
											2000	CF4P100-200-H5-18-57
219 x 20 133 x 4 <i>Doppio tubo coassiale Double coaxial pipe</i>	600	20	30	245000	25	245000	25	200/125	1000	CF5P100-100-20-D1-57		
									1500	CF5P100-150-20-D1-57		
									2000	CF5P100-200-20-D1-57		
219 x 20 133 x 4 <i>Doppio tubo coassiale Double coaxial pipe</i>	600	20	30	245000	25	245000	25	XHD5	1000	CF5P100-100-X5-D1-57		
									1500	CF5P100-150-X5-D1-57		
									2000	CF5P100-200-X5-D1-57		
273 x 20 133 x 4 <i>Doppio tubo coassiale Double coaxial pipe</i>	600	20	40	294000	30	294000	30	200/125X	1000	CF6P100-100-2X-D2-57		
									1500	CF6P100-150-2X-D2-57		
									2000	CF6P100-200-2X-D2-57		
273 x 20 133 x 4 <i>Doppio tubo coassiale Double coaxial pipe</i>	600	20	40	294000	30	294000	30	25-HD5	1000	CF6P100-100-25-D2-57		
									1500	CF6P100-150-25-D2-57		
									2000	CF6P100-200-25-D2-57		

Diam. esterno	Diam. di perforaz.	D. interno (D. tubo) x spess. tubo	Passo	Spessore Spira	Spessore Spira	Mom. torcente massimo		Attacco	Lungh.	Codice		
External Diam.	Drilling diameter	Internal Diam. (Pipe Diam.) x pipe th.	Pitch	Flight Thickness	Flight Thickness	Maximum torque		Coupl.	Length	Part Number		
Øe (mm)	Øp (mm)	Øi (mm)	P (mm)	T2 (mm)	T1 (mm)	N · m	Ton-m		L (mm)			
1100	1120	152,4 x 14,2	600	14	20	118000	12	160/125	1000	CF1P110-100-16-15-45		
									1500	CF1P110-150-16-15-45		
									2000	CF1P110-200-16-15-45		
		152,4 x 14,2	600	14	20	118000	12	118000	12	HD5	1000	CF1P110-100-H5-15-45
										1500	CF1P110-150-H5-15-45	
										2000	CF1P110-200-H5-15-45	
		159 x 16	600	14	20	147000	15	147000	15	160/125	1000	CF2P110-100-16-16-45
											1500	CF2P110-150-16-16-45
											2000	CF2P110-200-16-16-45
		159 x 16	600	14	20	147000	15	147000	15	HD5	1000	CF2P110-100-H5-16-45
										1500	CF2P110-150-H5-16-45	
										2000	CF2P110-200-H5-16-45	
		168 x 20	600	20	30	177000	18	177000	18	160/125	1000	CF3P110-100-16-17-57
											1500	CF3P110-150-16-17-57
											2000	CF3P110-200-16-17-57
		168 x 20	600	20	30	177000	18	177000	18	HD5	1000	CF3P110-100-H5-17-57
										1500	CF3P110-150-H5-17-57	
										2000	CF3P110-200-H5-17-57	
		177,8 x 20	600	20	30	216000	22	216000	22	160/125	1000	CF4P110-100-X5-18-57
											1500	CF4P110-150-X5-18-57
											2000	CF4P110-200-X5-18-57
		177,8 x 20	600	20	30	216000	22	216000	22	HD5	1000	CF4P110-100-H5-18-57
										1500	CF4P110-150-H5-18-57	
										2000	CF4P110-200-H5-18-57	
219 x 20 133 x 4 <i>Doppio tubo coassiale Double coaxial pipe</i>	600	20	30	245000	25	245000	25	200/125	1000	CF5P110-100-20-D1-57		
									1500	CF5P110-150-20-D1-57		
									2000	CF5P110-200-20-D1-57		
219 x 20 133 x 4 <i>Doppio tubo coassiale Double coaxial pipe</i>	600	20	30	245000	25	245000	25	XHD5	1000	CF5P110-100-X5-D1-57		
								1500	CF5P110-150-X5-D1-57			
								2000	CF5P110-200-X5-D1-57			
273 x 20 133 x 4 <i>Doppio tubo coassiale Double coaxial pipe</i>	600	20	40	294000	30	294000	30	200/125X	1000	CF6P110-100-2X-D2-58		
									1500	CF6P110-150-2X-D2-58		
									2000	CF6P110-200-2X-D2-58		
273 x 20 133 x 4 <i>Doppio tubo coassiale Double coaxial pipe</i>	600	20	40	294000	30	294000	30	25-HD5	1000	CF6P110-100-25-D2-58		
								1500	CF6P110-150-25-D2-58			
								2000	CF6P110-200-25-D2-58			



Diam. esterno	Diam. di perforaz.	D. interno (D. tubo) x spess. tubo	Passo	Spessore Spira	Spessore Spira	Mom. torcente massimo		Attacco	Lungh.	Codice		
External Diam.	Drilling diameter	Internal Diam. (Pipe Diam.) x pipe th.	Pitch	Flight Thickness	Flight Thickness	Maximum torque		Coupl.	Length	Part Number		
Øe (mm)	Øp (mm)	Øi (mm)	P (mm)	T2 (mm)	T1 (mm)	N · m	Ton-m		L (mm)			
1200	1220	159 x 16	600	14	20	147000	15	160/125	1000	CF2P120-100-16-16-45		
									1500	CF2P120-150-16-16-45		
									2000	CF2P120-200-16-16-45		
		159 x 16	600	14	20	147000	15	147000	15	HD5	1000	CF2P120-100-H5-16-45
										1500	CF2P120-150-H5-16-45	
										2000	CF2P120-200-H5-16-45	
		168 x 20	600	20	30	177000	18	177000	18	160/125	1000	CF3P120-100-16-17-57
											1500	CF3P120-150-16-17-57
											2000	CF3P120-200-16-17-57
		168 x 20	600	20	30	177000	18	177000	18	HD5	1000	CF3P120-100-H5-17-57
										1500	CF3P120-150-H5-17-57	
										2000	CF3P120-200-H5-17-57	
		177,8 x 20	600	20	30	216000	22	216000	22	160/125	1000	CF4P120-100-X5-18-57
											1500	CF4P120-150-X5-18-57
											2000	CF4P120-200-X5-18-57
		177,8 x 20	600	20	30	216000	22	216000	22	HD5	1000	CF4P120-100-H5-18-57
										1500	CF4P120-150-H5-18-57	
										2000	CF4P120-200-H5-18-57	
		219 x 20 133 x 4 <i>Doppio tubo coassiale Double coaxial pipe</i>	600	20	30	245000	25	245000	25	200/125	1000	CF5P120-100-20-D1-57
											1500	CF5P120-150-20-D1-57
											2000	CF5P120-200-20-D1-57
		219 x 20 133 x 4 <i>Doppio tubo coassiale Double coaxial pipe</i>	600	20	30	245000	25	245000	25	XHD5	1000	CF5P120-100-X5-D1-57
										1500	CF5P120-150-X5-D1-57	
										2000	CF5P120-200-X5-D1-57	
273 x 20 133 x 4 <i>Doppio tubo coassiale Double coaxial pipe</i>	600	20	40	294000	30	294000	30	200/125X	1000	CF6P120-100-2X-D2-58		
									1500	CF6P120-150-2X-D2-58		
									2000	CF6P120-200-2X-D2-58		
273 x 20 133 x 4 <i>Doppio tubo coassiale Double coaxial pipe</i>	600	20	40	294000	30	294000	30	25-HD5	1000	CF6P120-100-25-D2-58		
								1500	CF6P120-150-25-D2-58			
								2000	CF6P120-200-25-D2-58			
1500	1520	159 x 16	600	14	20	147000	15	160/125	1000	CF2P150-100-16-16-45		
									1500	CF2P150-150-16-16-45		
									2000	CF2P150-200-16-16-45		
		159 x 16	600	14	20	147000	15	147000	15	HD5	1000	CF2P150-100-H5-16-45
										1500	CF2P150-150-H5-16-45	
										2000	CF2P150-200-H5-16-45	
		168 x 20	600	20	30	177000	18	177000	18	160/125	1000	CF3P150-100-16-17-57
											1500	CF3P150-150-16-17-57
											2000	CF3P150-200-16-17-57
		168 x 20	600	20	30	177000	18	177000	18	HD5	1000	CF3P150-100-H5-17-57
										1500	CF3P150-150-H5-17-57	
										2000	CF3P150-200-H5-17-57	
		177,8 x 20	600	20	30	216000	22	216000	22	160/125	1000	CF4P150-100-X5-18-57
											1500	CF4P150-150-X5-18-57
											2000	CF4P150-200-X5-18-57
		177,8 x 20	600	20	30	216000	22	216000	22	HD5	1000	CF4P150-100-H5-18-57
										1500	CF4P150-150-H5-18-57	
										2000	CF4P150-200-H5-18-57	
		219 x 20 133 x 4 <i>Doppio tubo coassiale Double coaxial pipe</i>	600	20	30	245000	25	245000	25	200/125	1000	CF5P150-100-20-D1-57
											1500	CF5P150-150-20-D1-57
											2000	CF5P150-200-20-D1-57
		219 x 20 133 x 4 <i>Doppio tubo coassiale Double coaxial pipe</i>	600	20	30	245000	25	245000	25	XHD5	1000	CF5P150-100-X5-D1-57
										1500	CF5P150-150-X5-D1-57	
										2000	CF5P150-200-X5-D1-57	
273 x 20 133 x 4 <i>Doppio tubo coassiale Double coaxial pipe</i>	600	20	40	294000	30	294000	30	200/125X	1000	CF6P150-100-2X-D2-58		
									1500	CF6P150-150-2X-D2-58		
									2000	CF6P150-200-2X-D2-58		
273 x 20 133 x 4 <i>Doppio tubo coassiale Double coaxial pipe</i>	600	20	40	294000	30	294000	30	25-HD5	1000	CF6P150-100-25-D2-58		
								1500	CF6P150-150-25-D2-58			
								2000	CF6P150-200-25-D2-58			