

# Barriere per bordo laterale su rilevato

Single sided guardrails



# steel safety on roadways

Require Marcegaglia Buildtech full range of steel road safety barriers: from the **steel partner**, steel safety on roadways.

Marcegaglia Buildtech safety barriers solutions are part of Marcegaglia steel production chain and are engineered, assembled then **tested** in order to comply with specific **norm requirements**.

## Certificazioni

*Certifications - Zertifizierungen - Certifications - Certificaciones*

- **RINA ISO 9001:2008** certificato N. 12370/05/S
- **IQNet - CISQ/RINA** Quality Management System **ISO 9001:2008** Registration N. IT-42009
- **Certificati CE** di costanza della prestazione

## Crash tests

*Crash tests - Crash-Tests - Essais de chocs - Crash tests*



## Classe H2 Bordo Laterale - Barriera 3 onde singola su rilevato W5

Class H2 Roadside - 3-waves single sided guardrail W5

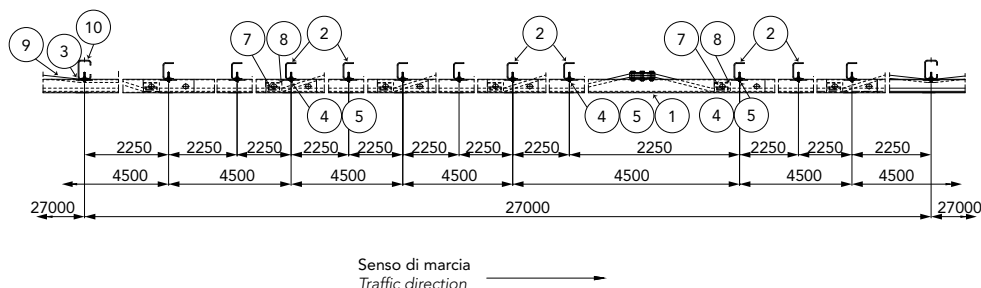
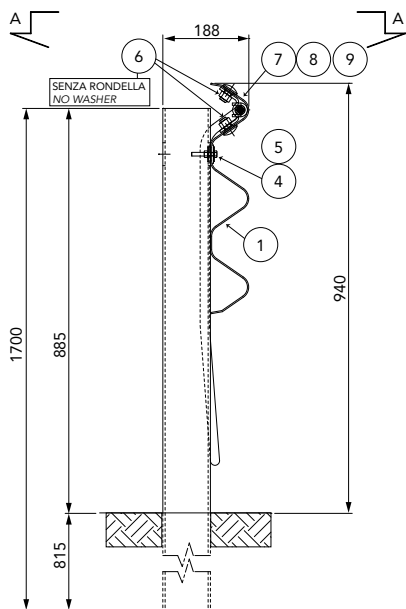
Aufhaltestufe H2 für rammfähige Böden - 3-welliges Rückhaltesystem W5

Classe H2 Bord latéral - Glissière 3 crosses simple sur remblai W5

Clase H2 Borde lateral - Barrera de triple onda simple sobre base terreno W5

# H2-W5

## 3-waves 2011



Giunzione per fune ogni 500 m  
Cable connection every 500 m



### Caratteristiche Characteristics, Eigenschaften, Caractéristiques, Características

<b>Altezza fuori terra</b> Height above ground level, Höhe über Grundboden, Hauteur hors sol, Altura sobre el suelo	940 mm
<b>Profondità d'infissione</b> Depth of penetration, Rammtiefe, Profondeur de piling du poteau, Longitud hincada	815 mm
<b>Ingombro trasversale</b> Overall width, Gesamtbreite, Grosseur hors tout, Anchura total	188 mm
<b>Interasse pali</b> Post spacing, Steherabstand, Distance entre poteaux, Distancia entre postes	2250 mm

### Rapporti di prova Crash test reports, Testberichte, Comptes rendus d'essais, Relaciones de pruebas

Test n.	Facility	Test	Type	Barrier length m	Mass kg	Speed km/h	ASI max 1.4	THIV max 33 km/h	D m	Vi m	W m
PROVA 782	Aisico	TB51	Laterale 20°	76,5	13.000	70	-	-	1,5	2	1,7=W5
PROVA 781	Aisico	TB11	Laterale 20°	76,5	900	100	1=A	27	0,5	-	0,8=W2

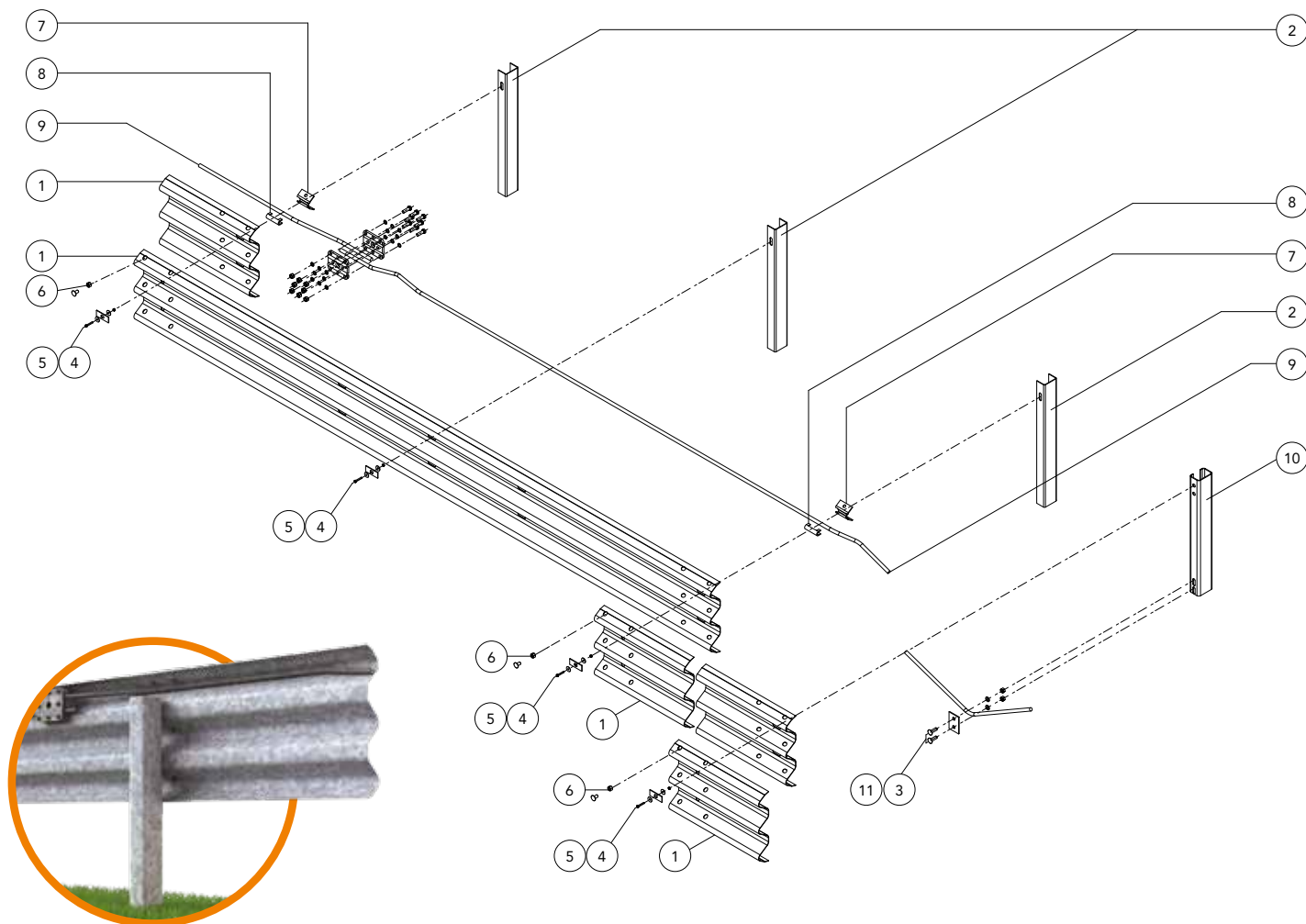
Sales office:

**MARCEGAGLIA BUILDTECH guardrail division**  
 strada Roveri, 4  
 15068 Pozzolo Formigaro, Alessandria - Italy  
 phone +39 . 0143 77 61 • fax +39 . 0143 77 63 53

guardrail@marcegaglia.com  
 www.marcegagliabuildtech.it

Plants:

**MARCEGAGLIA BUILDTECH Pozzolo Formigaro**  
 strada Roveri, 4  
 15068 Pozzolo Formigaro, Alessandria - Italy  
 phone +39 . 0143 77 61 • fax +39 . 0143 77 63 53



**Componenti Components, Bauteile, Composants, Elementos**

	Descrizione Description		Materiale Material
11	<b>Bullone completo</b> Bolt with nut and washer, Schraube komplett, Boulon complet, Tornillo completo con tuerca y arandela	M16x50 mm	Classe 8.8
10	<b>Palo "C"</b> C-post, C-Steher, Poteau en C, Poste "C"	120x80x30 Th=5 H=2250 mm	S 235 JR
9	<b>Fune in acciaio</b> Steel wire rope, Stahldrahtseil, Câble en acier, Cable de acero	Ø 20 mm	Acc. Zinc.
8	<b>Elemento blocco fune n° 2</b> Wire rope locking element nr. 2, Seil-Verriegelungselement Nr. 2, Élément de fixation câble n° 2, Elemento de bloqueo cable n° 2		S 275 JR
7	<b>Elemento blocco fune n° 1</b> Wire rope locking element nr. 1, Seil-Verriegelungselement Nr. 1, Élément de fixation câble n° 1, Elemento de bloqueo cable n° 1		S 275 JR
6	<b>Bullone completo</b> Bolt with nut and washer, Schraube komplett, Boulon complet, Tornillo completo con tuerca y arandela	M16x30 mm	Classe 8.8
5		M8x50 mm	Classe 8.8
4	<b>Piastrina copriasola</b> Slot covering plate, Lochabdeckplatte, Plaque de couverture fente, Placa cubre-ranura	100x40x4 mm	S 275 JR
3	<b>Piastrina</b> Plate, Plättchen, Platine, Platina	120x80x5 mm	S 275 JR
2	<b>Palo "U"</b> U-post, U-Steher, Poteau en U, Poste "U"	104x65 Th=4 H=1700 mm	S 235 JR
1	<b>Fascia 3 onde</b> 3-waves beam, 3-wellige Leitschiene, Glissière 3 crosses, Banda triple onda	L=4500/2250/1500 Th=2,5 mm	S 235 JR