

# Barriere per bordo ponte

Guardrails for bridge



# steel safety on roadways

Require Marcegaglia Buildtech full range of steel road safety barriers: from the **steel partner**, steel safety on roadways.

Marcegaglia Buildtech safety barriers solutions are part of Marcegaglia steel production chain and are engineered, assembled then **tested** in order to comply with specific **norm requirements**.

## Certificazioni

*Certifications - Zertifizierungen - Certifications - Certificaciones*

- **RINA ISO 9001:2008** certificato N. 12370/05/S
- **IQNet - CISQ/RINA** Quality Management System **ISO 9001:2008** Registration N. IT-42009
- **Certificati CE** di costanza della prestazione

## Crash tests

*Crash tests - Crash-Tests - Essais de chocs - Crash tests*



## Classe H4 Bordo Ponte - Barriera 3 onde per manufatto W5

Class H4 Bridge side - 3-waves guardrail for bridge W5

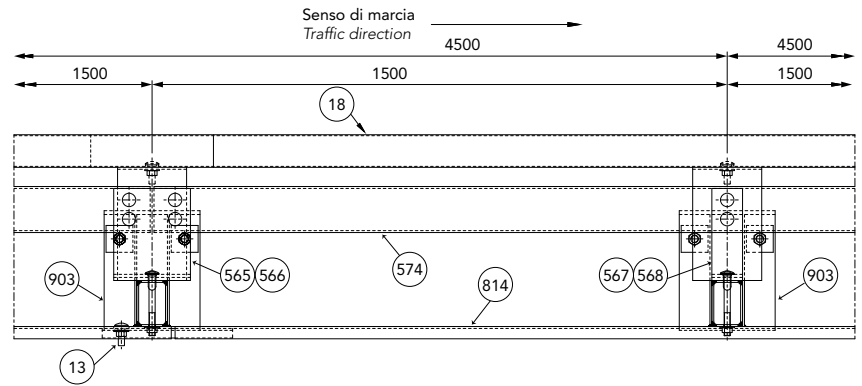
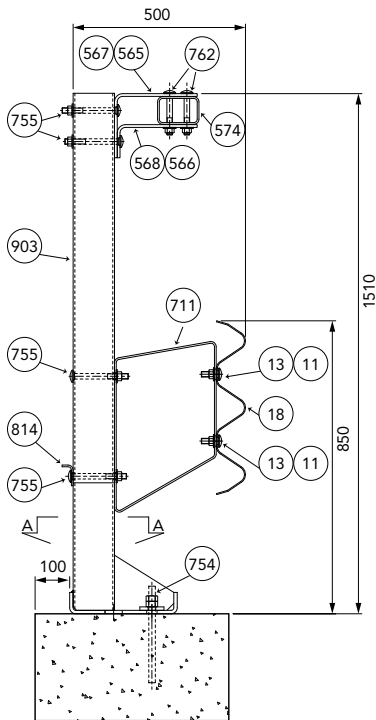
Aufhaltestufe H4 für Kunstbauten - 3-welliges Rückhaltesystem W5

Classe H4 Bord pont - Glissière 3 crosses simple pour pont W5

Clase H4 Borde de puente - Barrera de triple onda simple para base puente W5

# H4-W5

## 3-waves



### Caratteristiche Characteristics, Eigenschaften, Caractéristiques, Características

<b>Altezza barriera</b> Barrier height, Höhe Leitplanke, Hauteur glissière de sécurité, Altura barrera	1510 mm
<b>Profondità d'infissione tirafondi</b> Depth of anchor bolts penetration, Einschraubtiefe der Verankerungen, Prondeur de vissage des ancrages, Profundidad de anclaje varilla roscada	200 mm
<b>Ingombro trasversale</b> Overall width, Gesamtbreite, Grosseur hors tout, Anchura total	500 mm
<b>Interasse pali</b> Post spacing, Steherabstand, Distance entre poteaux, Distancia entre postes	1500 mm

### Rapporti di prova Crash test reports, Testberichte, Comptes rendus d'essais, Relaciones de pruebas

Test n.	Facility	Test	Type	Barrier length m	Mass kg	Speed km/h	ASI max 1.4	THIV max 33 km/h	D m	Vi m	W m
PROVA 688	Aisico	TB81	Laterale 20°	99	38.000	65	-	-	1	1,6	1,5=W5
PROVA 671	Aisico	TB11	Laterale 20°	99	900	100	1=A	25	0,2	-	0,6=W1

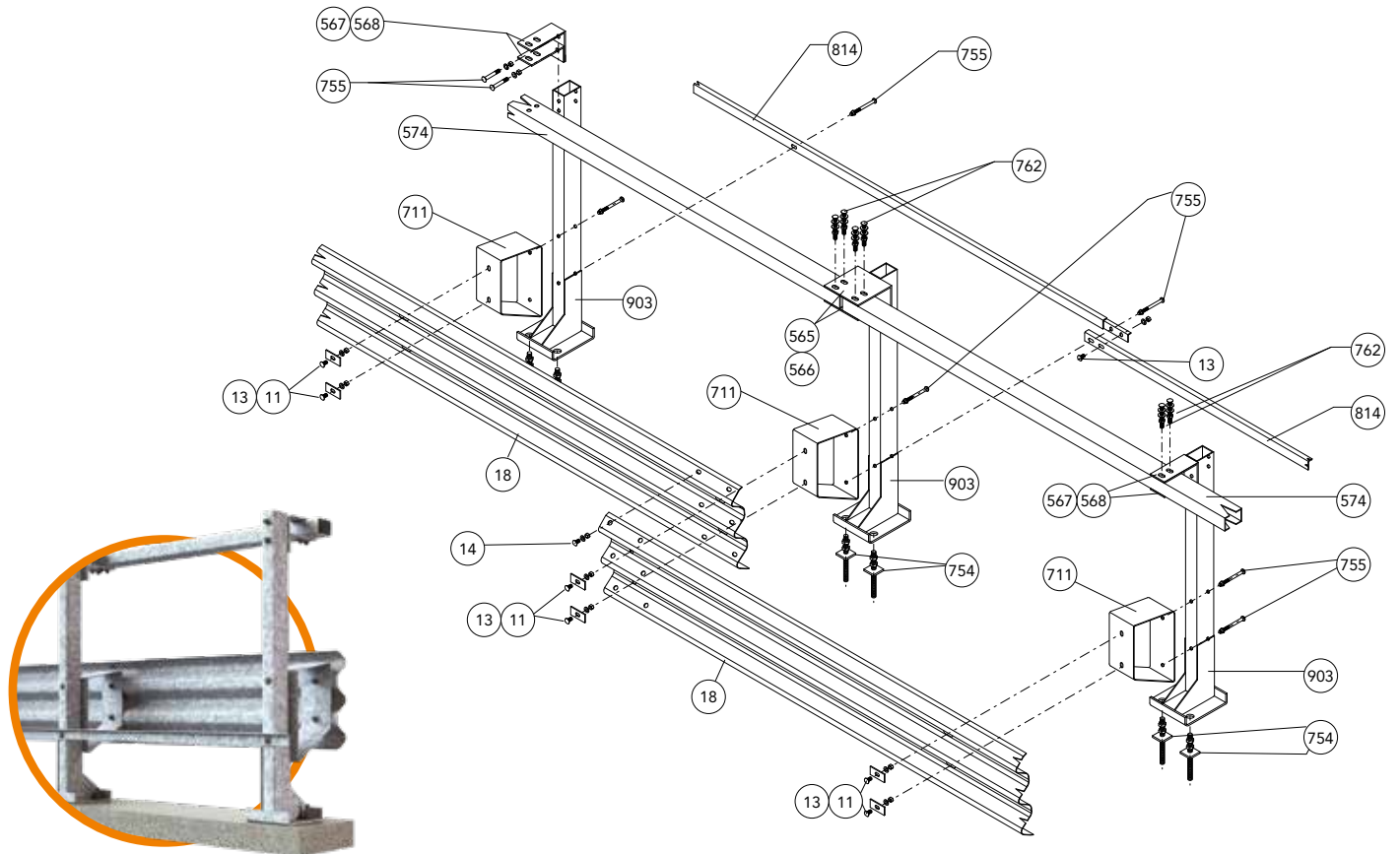
Sales office:

**MARCEGAGLIA BUILDTECH guardrail division**  
 strada Roveri, 4  
 15068 Pozzolo Formigaro, Alessandria - Italy  
 phone +39 . 0143 77 61 • fax +39 . 0143 77 63 53

guardrail@marcegaglia.com  
 www.marcegagliabuildtech.it

Plants:

**MARCEGAGLIA BUILDTECH Pozzolo Formigaro**  
 strada Roveri, 4  
 15068 Pozzolo Formigaro, Alessandria - Italy  
 phone +39 . 0143 77 61 • fax +39 . 0143 77 63 53



**Componenti Components, Bauteile, Composants, Elementos**

Descrizione Description		Materiale Material
755	<b>Bullone completo</b> Bolt with nut and washer, Schraube komplett, Boulon complet, Tornillo completo con tuerca y arandela	M16x160 mm
762		M16x130 mm
13		M16x50 mm
14		M16x30 mm
754	<b>Tirafondo + dadi + 1 rondella</b> Anchor bolt + nuts + 1 washer, Verbundklebeankerschraube + Mütter + 1 Unterlegscheibe, Tire-fond + écrous + 1 rondelle, Varilla Roscada + tuercas + 1 arandela	M20x280 mm
11	<b>Piastrina copriasola</b> Slot covering plate, Lochabdeckplatte, Plaque de couverture fente, Placa cubre-ranura	100x40x4 mm
814	<b>Tirante posteriore (angolare)</b> Rear reinforcement (angle profile), Hintere Zugstange (Winkelprofil), Renfort arrière (angulaire), Tirante trasero (angular)	60x35x5 L=4680 mm
568	<b>Distanziatore del tubo corrimano</b> Spacer for handrail, Abstandhalter Handlaufrohr, Entretoise rambarde, Separador del tubo pasamanos	80x309.7x8 mm
567		80x407.7x8 mm
566		200x309.7x8 mm
565		200x407.7x8 mm
711	<b>Distanziatore romboidale</b> Rhomboidal spacer, Rhomboidisch. Abstandhalter, Entretoise en losange, Separador romboidal	Th=5 mm
574	<b>Tubo corrimano rettangolare</b> Rectangular handrail tube, Rechteckiges Handlaufrohr, Rambarde tubulaire rectangulaire, Tubo pasamanos rectangular	120x80x5 L=4480 mm
903	<b>Palo in tubo con piastra</b> Rectangular tube post with base plate, Vierkantrohrsteher mit Grundplatte, Poteau tubulaire avec plaque, Poste de tubo con placa	120x80 Th=5 H=1500 mm
18	<b>Fascia 3 onde</b> 3-waves beam, 3-wellige Leitschiene, Glissière 3 crosses, Banda triple onda	L=4816 (1500x3) Th=3 mm