

FERRARA 500 LED

FERRARA 500 LED Lichtpoller
12.71512.0V001 1X LED E27

Illuminating bollard FERRARA 500
Housing made of aluminium
Cover of polyacrylic glass (PMMA) with frosted surface
Elec. equip.: 1xE27 socket for LED lamp (220-240V/50-60Hz)
Without lamp (Type P 40, max. 7W)
Ingress protection IP54, protection rating I
Total height 500 mm
With flange plate 210 x 210 x 12 mm
Connection: 3 x 2,5 mm² terminal in the base of the bollard
Colour: DB 703

Technical values

Wind catching surface	0,075 m ²
ULOR	70%
IK-Code	IK03
Ingress protection	IP54

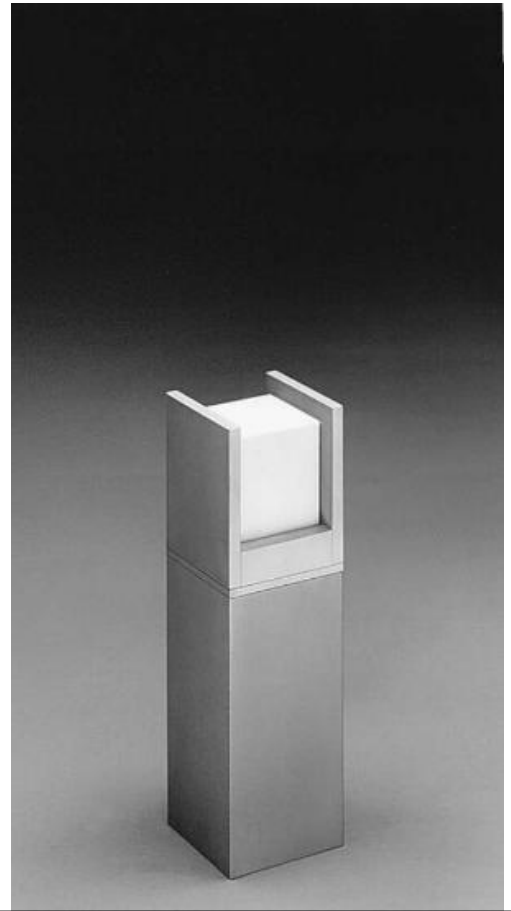
CE

Advantages

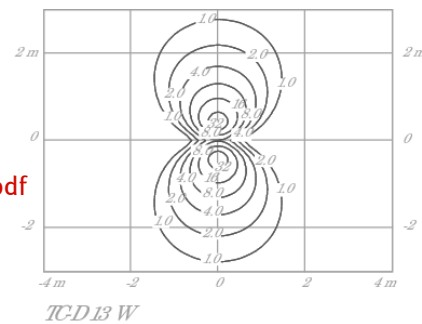
- High-quality aluminium luminaire body
- Simple, modern design
- The FERRARA product family makes integrated lighting solutions possible

Downloads

Drawings:	Ferrara_LP900-500.png
Installation instructions:	HessMA_FERRARA_CASSINO_LED.pdf
IK test certificate:	Hess IK Ferrara 900 500 LP BABL WABL DABL PMMA satine 050508.pdf
Photometric data:	FERRARA_illuminating_bollard.zip

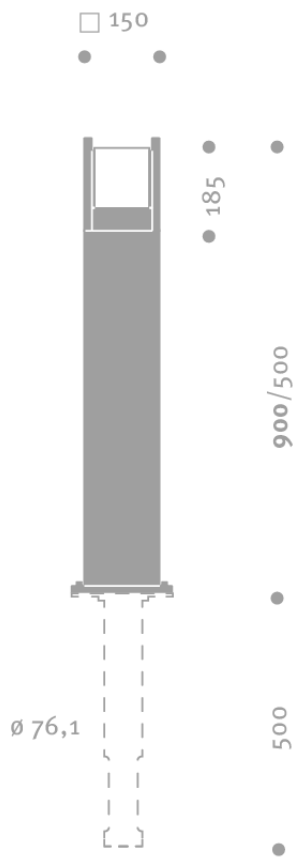


Photometric reports



FERRARA 500 LED

Drawings



Projects



Rheinhardtkaserne
DE - Ludwigsburg



Rheinhardtkaserne
DE - Ludwigsburg