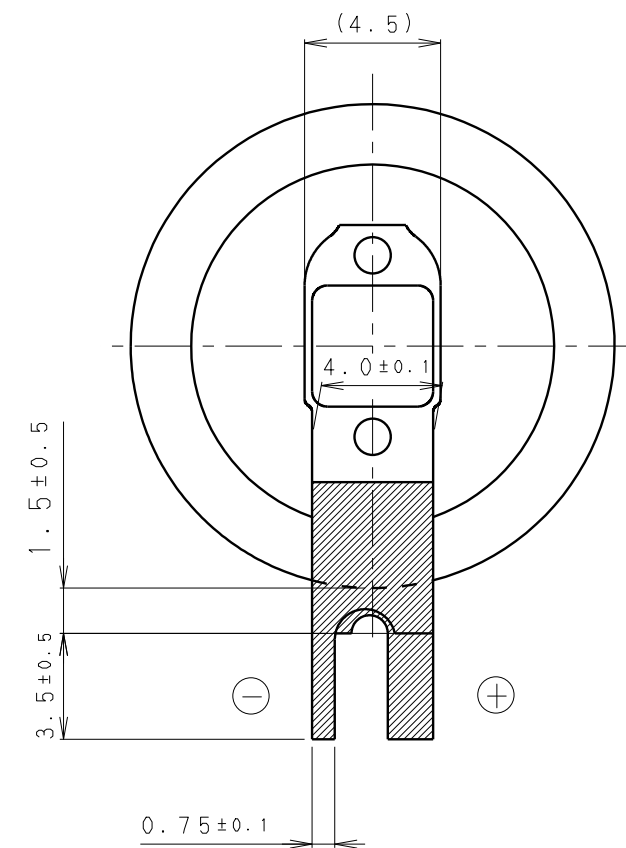
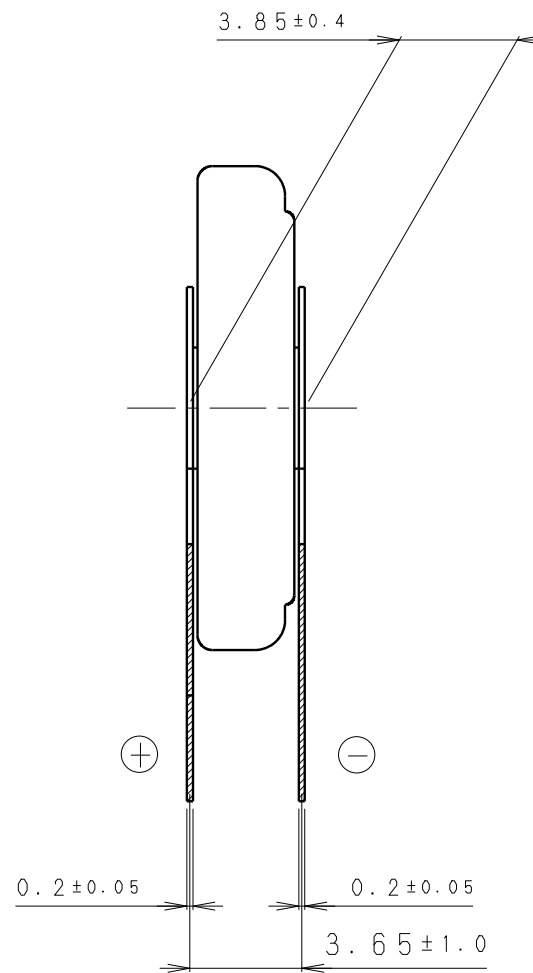
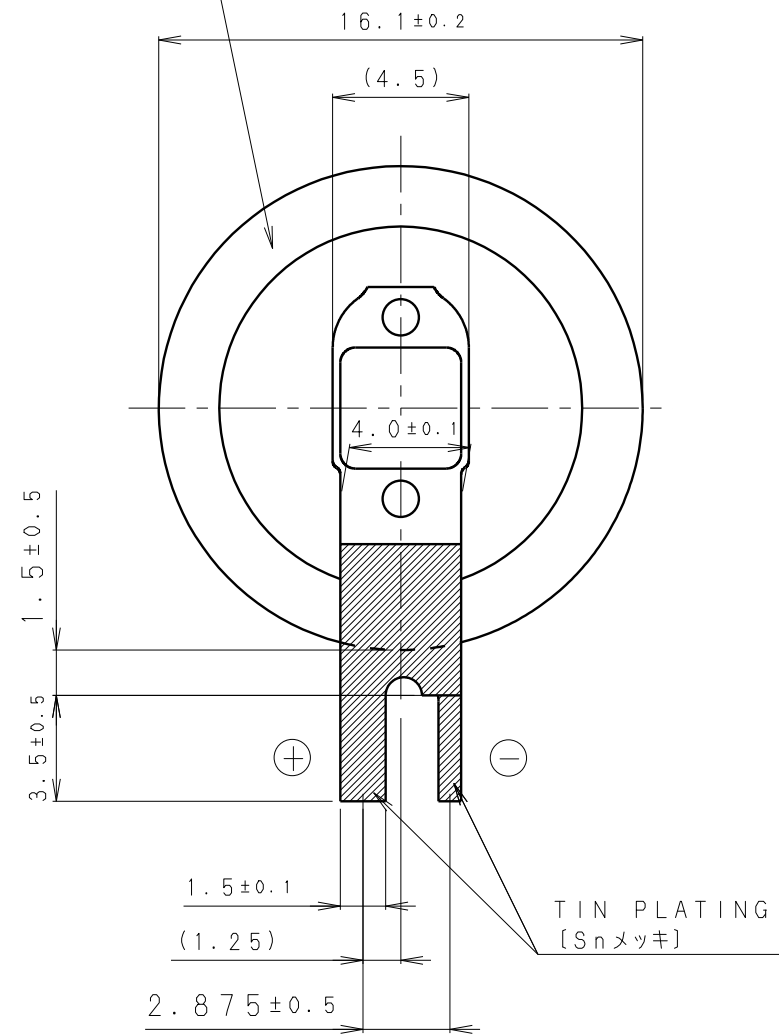


INSULATOR (YELLOW)
[絶縁チューブ (黄色)]



* NOTE [注記]

- TAB PULLING STRENGTH OVER 19.6N [端子溶接強度: 19.6N以上]
- TAB MATERIAL: STAINLESS STEEL WITH TIN PLATING [端子材料: 基材 ステンレス/表面 部分Snメッキ]
- (): REFERENCE DIMENSION AND ANGLE [() 寸法、角度は参考値]

| | | | |
|-------------|--------------|-------|----------|
| PRODUCT NO. | CR-1632/V1AN | SCALE | 4:1 |
| DRAWING NO. | MMVA1Z | REV. | 0 |
| | | | UNIT: mm |