

Verderair VA-H50 3A



VA-H50 3A

VERDERAIR

Technical data				
Weight [kg]	All models		66	
Suction lift [mwc]	Dry		2,8	
	Wet		5,5	
Temperature [°C]	Internals	EO	0	135
		TF	4	104
Max. Particle size [mm]	3A execution		25,4	
Max. Viscosity (mPas)			20000	
Certifications	All models		EN1935/2004	
			3A	
			FDA	

Code VA-H50 No.1 No.2 No.3 No.4 No.5 No.6 No.7		
<p>no.1 Fluid section material S = 316 Stainless Steel, Ra: 0,8µm</p> <p>No. 2 Air Section material S = 316 Stainless Steel, Ra: 0,8µm</p> <p>No. 3 Check Valve seat material SE = SS seat with EPDM o-rings</p>	<p>No. 4 Check valve ball material ☒ A TF = PTFE</p> <p>No. 5 Diaphragm material ☒ A EO = EPDM overmolded</p> <p>No. 6 Fluid connections D5 = DIN 11851, DN50, male D8 = DIN 11851, DN80, male T5 = Tri-Clamp (ASME BPE), 2" T8 = Tri-Clamp (ASME BPE), 3"</p>	<p>No. 7 Pump Style 3A = 3A execution with leak detector</p>

EXAMPLE PUMP TYPE

VA-H50SS SE TF TO D5 3A



EN 1935/2004

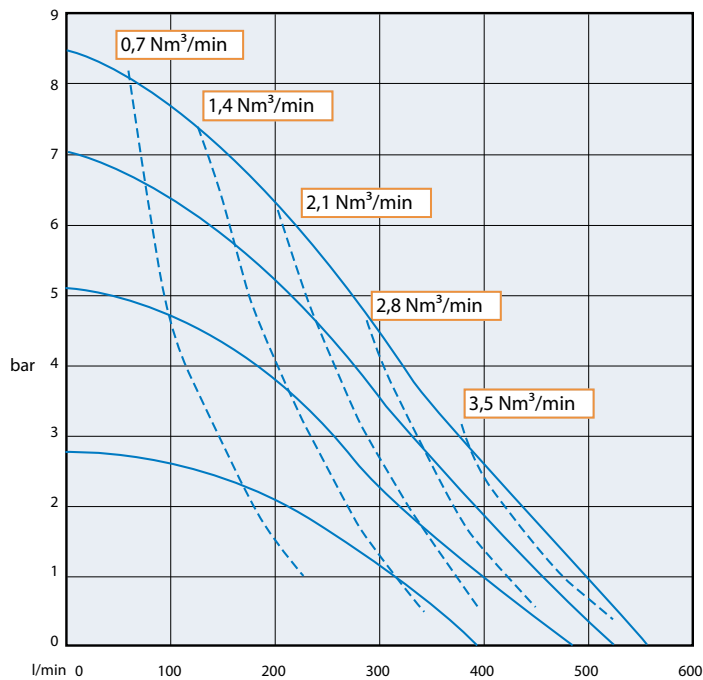
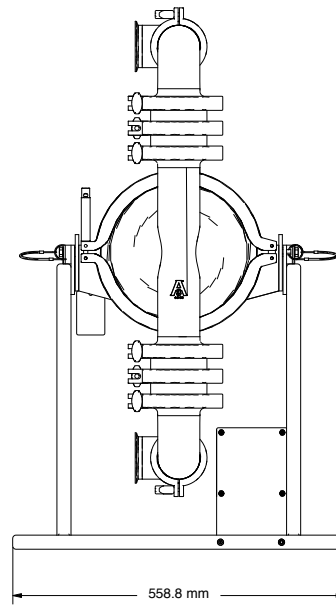
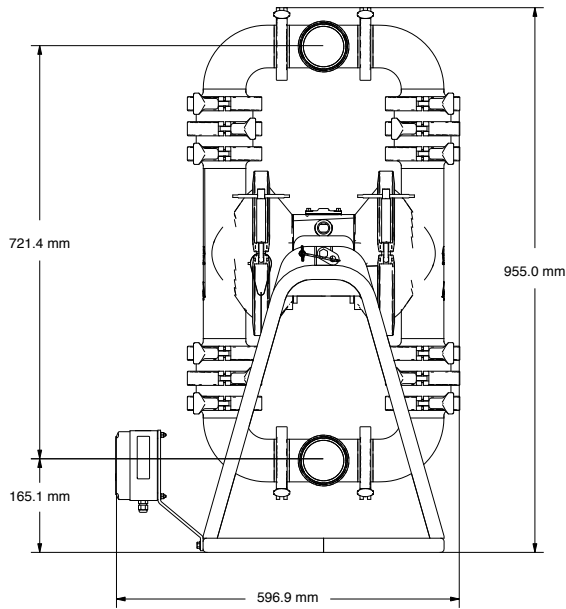


3A



Verderair VA-H50 3A

VA-H50 3A



Air consumption

VA-H50 3A_Techno_Rev01-2014_EU_(eu)

Find your local supplier at www.verderair.com

