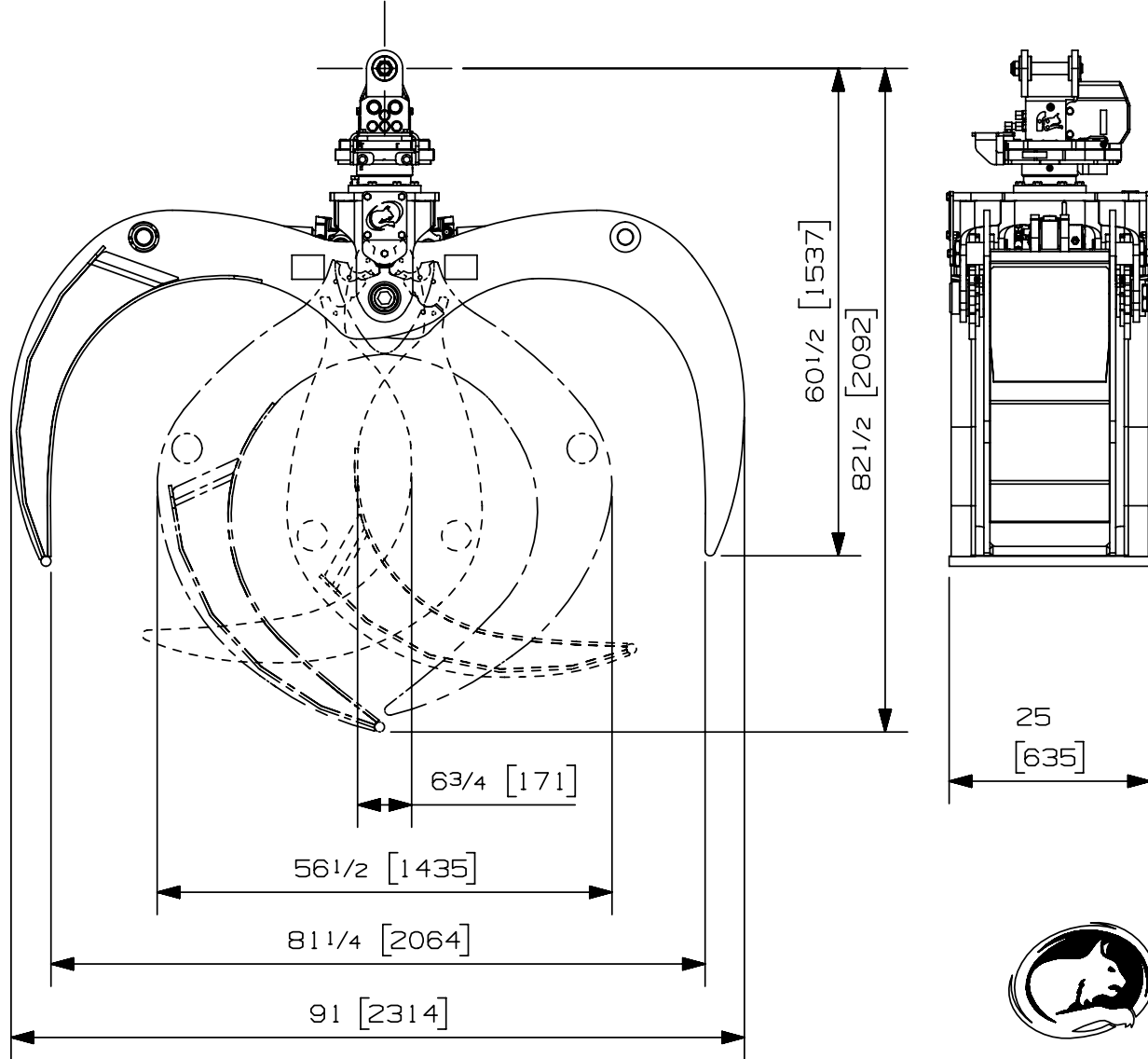


COMBINATION GRAPPLE
 080C-A RT-222-2
 COMBINE



SPECIFICATION TECHNIQUE
 TECHNICAL DATA

SURFACE UTILE PTE A PTE: 0.80 m² / 8.61 ft²
 USEFUL AREA TIP TO TIP:

POIDS: 780 kg / 1715 lb
 WEIGHT:

DIA. DU CYLINDRE: 89 mm / 3 1/2 in
 CYLINDER DIAMETER:

PRESSION MAXIMUM: 344 bar / 5000 PSI
 MAXIMUM PRESSURE:

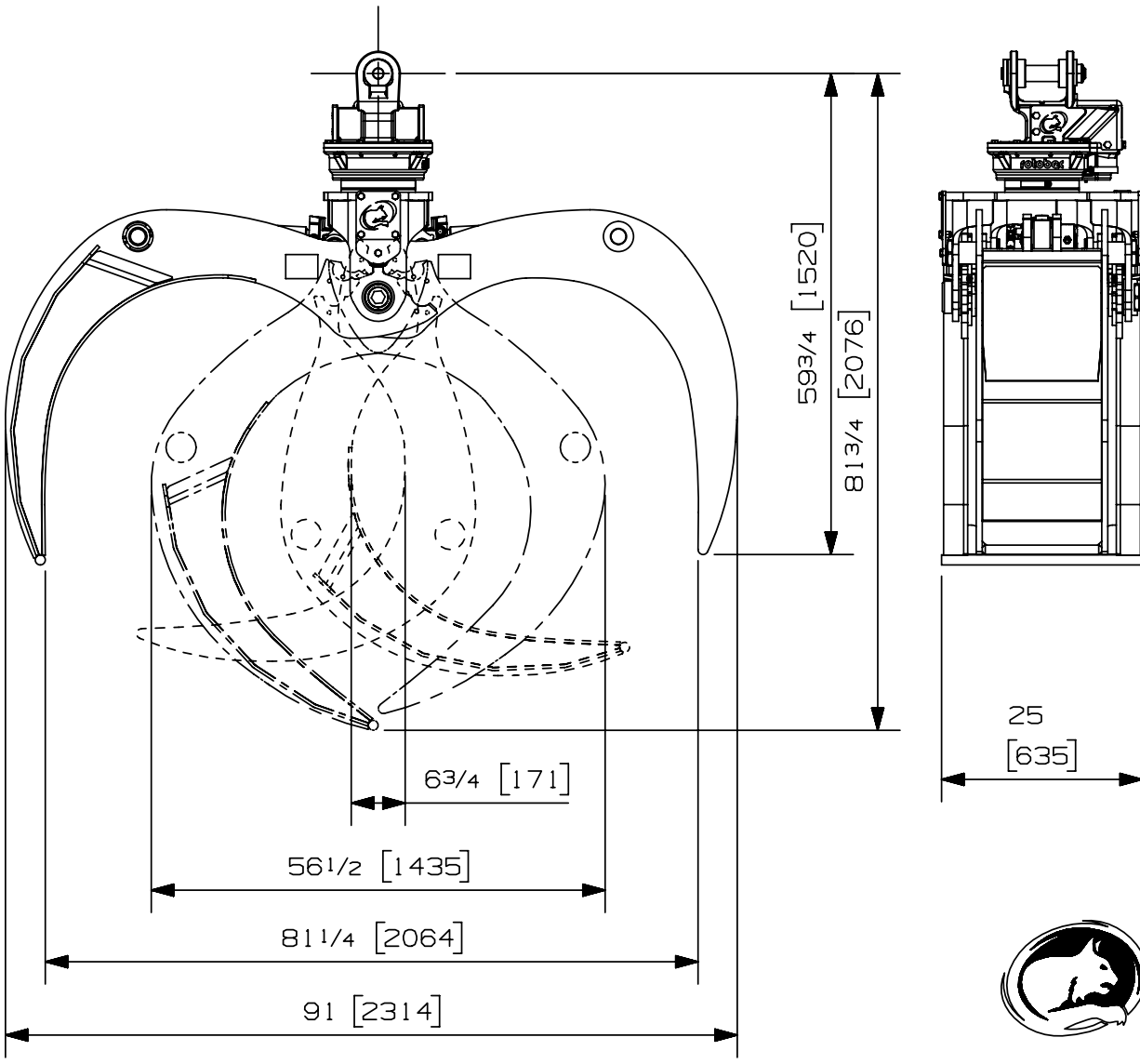
DEBIT MAXIMUM: 91 l/min / 24 GPM
 MAXIMUM FLOW:



Nous nous reservons le droit de modifier nos specifications et d'ameliorer nos produits sans autre avis ou obligation.
 We reserve the right to change specifications and improve our products without notice or obligation.

COMBINATION GRAPPLE
 080C-A RT-252-1
 COMBINE

SPECIFICATION TECHNIQUE
 TECHNICAL DATA



| | |
|--------------------------|--------------------------------------------|
| SURFACE UTILE PTE A PTE: | 0.80 m ² / 8.61 ft ² |
| USEFUL AREA TIP TO TIP: | |
| POIDS: | 800 kg / 1760 lb |
| WEIGHT: | |
| DIA. DU CYLINDRE: | 89 mm / 3 1/2 in |
| CYLINDER DIAMETER: | |
| PRESSION MAXIMUM: | 344 bar / 5000 PSI |
| MAXIMUM PRESSURE: | |
| DEBIT MAXIMUM: | 91 l/min / 24 GPM |
| MAXIMUM FLOW: | |



Nous nous reservons le droit de modifier nos specifications et d'ameliorer nos produits sans autre avis ou obligation.
 We reserve the right to change specifications and improve our products without notice or obligation.

COMBINATION GRAPPLE 080C-A RT-502STDHT-1 COMBINE

SPECIFICATION TECHNIQUE TECHNICAL DATA

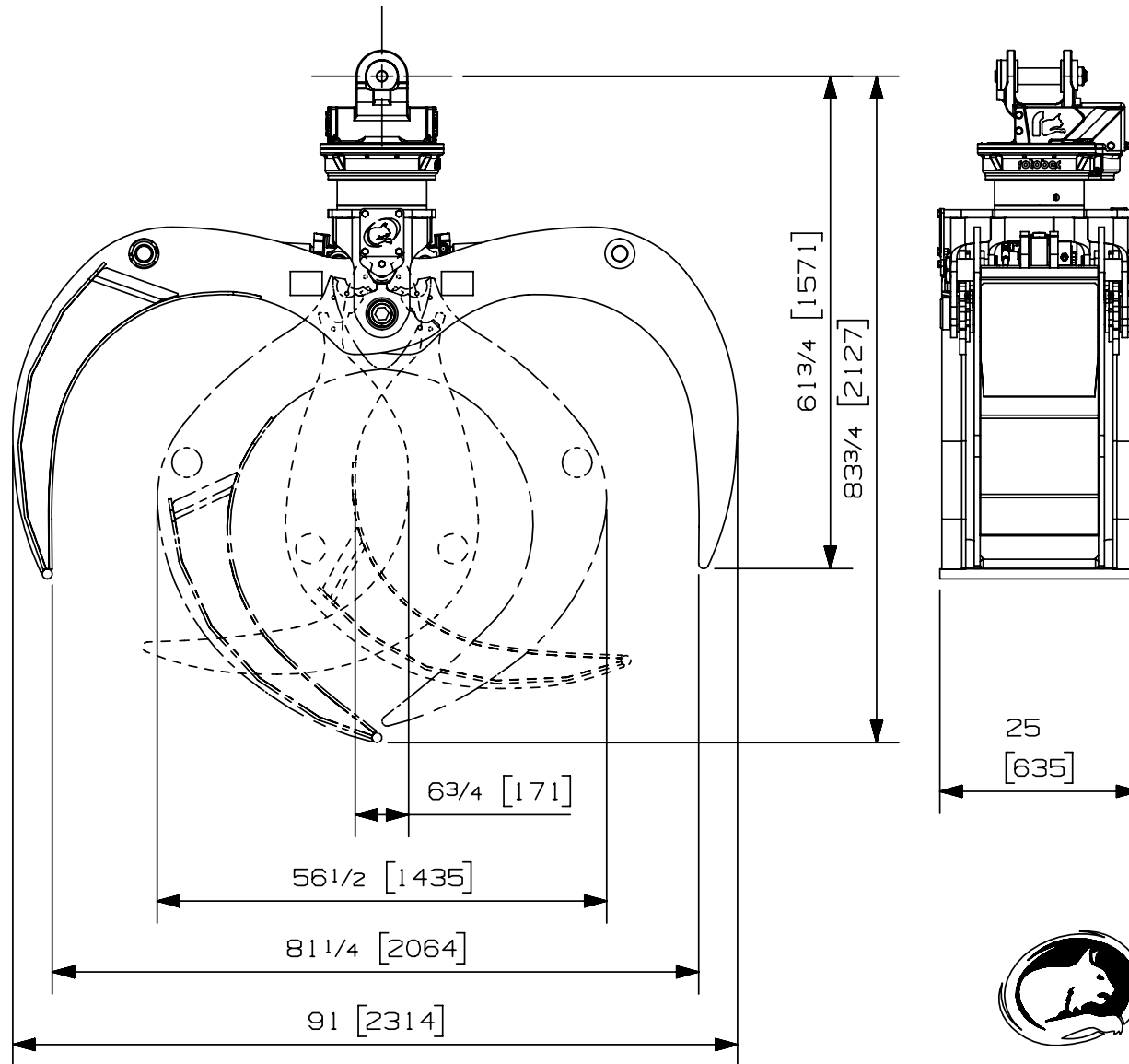
SURFACE UTILE PTE A PTE: 0.80 m² / 8.61 ft²
USEFUL AREA TIP TO TIP:

POIDS: 885 kg / 1945 lb
WEIGHT:

DIA. DU CYLINDRE: 89 mm / 3 1/2 in
CYLINDER DIAMETER:

PRESSION MAXIMUM: 344 bar / 5000 PSI
MAXIMUM PRESSURE:

DEBIT MAXIMUM: 91 l/min / 24 GPM
MAXIMUM FLOW:



ROTOBEC™