



STRONG PARTNERS. TOUGH TRUCKS.

ACX

**Four-wheel Electric Counterbalanced Lift Trucks
E3.50-5.50XL**

3 500 – 5 500 kg



E3.50XL, E4.00XL, E4.50XLS, E4.50XL, E5.50XL

CHARACTERISTICS	1.1	Manufacturer	
	1.2	Model designation	
	1.3	Power: battery, diesel, LPG, electric mains	
	1.4	Operation: manual, pedestrian, stand, sit, orderpicker	
	1.5	Load capacity	Q (kg)
	1.6	Load centre	c (mm)
	1.8	Load distance	x (mm)
1.9	Wheelbase	y (mm)	

HYSTER		HYSTER		HYSTER		HYSTER	
E3.50XL		E3.50XL		E4.00XL		E4.00XL	
Battery		Battery		Battery		Battery	
Sit		Sit		Sit		Sit	
3 500		3 500		4 000		4 000	
500		500		500		500	
447		447		447		447	
1 574		1 574		1 574		1 574	

WEIGHTS	2.1	Unladen weight	kg
	2.2	Axle loading with load, front/rear	kg
	2.3	Axle loading without load, front/rear	kg

6 695		6 695		7 155		7 155	
8 525	1 125	8 525	1 125	9 245	1 365	9 245	1 365
3 120	3 575	3 120	3 575	3 040	4 115	3 040	4 115

WHEELS & TYRES	3.1	Tyres: L = pneumatic, V = solid, SE = pneumatic-shaped solid	
	3.2	Tyre size, front	
	3.3	Tyre size, rear	
	3.5	Number of wheels, front/rear (X = driven)	
	3.6	Track width, front (standard/wide tread)	b ₁₀ (mm)
	3.7	Track width, rear	b ₁₁ (mm)

V		V		V		V	
22 x 9 x 16		22 x 9 x 16		22 x 9 x 16		22 x 9 x 16	
18 x 6 x 12,125		18 x 6 x 12,125		18 x 6 x 12,125		18 x 6 x 12,125	
2X	2	2X	2	2X	2	2X	2
1 041,4	-	1 041,4	-	1 041,4	-	1 041,4	-
1 005		1 005		1 005		1 005	

DIMENSIONS	4.1	Mast tilt, α = forward/β = back	degrees
	4.2	Height of mast, lowered	h ₁ (mm)
	4.3	Free lift ↑	h ₂ (mm)
	4.4	Lift height ↑	h ₃ (mm)
	4.5	Height of mast, extended ▽	h ₄ (mm)
	4.7	Overhead guard height ▣	h ₆ (mm)
	4.8	Seat height ○	h ₇ (mm)
	4.12	Towing coupling height	h ₁₀ (mm)
	4.19	Overall length	l _r (mm)
	4.20	Length to face of forks	l ₂ (mm)
	4.21	Overall width (standard/wide tread)	b ₁ /b ₂ (mm)
	4.22	Fork dimensions	s/e/l (mm)
	4.23	Fork carriage DIN 15173. Class A/B	
	4.24	Fork carriage width ●	b ₃ (mm)
	4.31	Ground clearance under mast, with load	m ₁ (mm)
	4.32	Ground clearance, centre of wheelbase	m ₂ (mm)
	4.33	Aisle width with pallets 1 000 mm x 1 200 mm wide ◆	Ast (mm)
	4.34	Aisle width with pallets 800 mm x 1 200 mm long ◆	Ast (mm)
	4.35	Outer turning radius	W _a (mm)
	4.36	Inner turning radius, standard/wide tread	b ₁₃ (mm)

5	6	5	6	5	6	5	6	
2 134		2 134		2 134		2 134		
100		100		100		100		
3 050		3 050		3 050		3 050		
3 827		3 827		3 827		3 827		
2 390		2 390		2 390		2 390		
1 241		1 241		1 241		1 241		
329		329		329		329		
3 378		3 378		3 428		3 428		
2 378		2 378		2 428		2 428		
1 270		1 270		1 270		1 270		
50	125	1 000	50	125	1 000	50	125	1 000
3A		3A		3A		3A		
1 067		1 067		1 067		1 067		
114		114		114		114		
128		128		128		128		
3 746		3 746		3 785		3 785		
3 946		3 946		3 985		3 985		
2 099		2 099		2 138		2 138		
671	-	671	-	671	-	671	-	

PERFORMANCE	5.1	Travel speed with/without load ✦	km/h
	5.2	Lifting speed with/without load	m/sec
	5.3	Lowering speed with/without load	m/sec
	5.5	Drawbar pull with/without load, 60 minute rating	N
	5.6	Max. drawbar pull with/without load, 5 minute rating	N
	5.7	Gradeability with/without load, 30 minute rating †	%
	5.8	Max. gradeability with/without load 5 minute rating †	%
	5.9	Acceleration time with/without load ✦	S
	5.10	Service brake	

16,6	16,7	16,6	16,7	15,9	16,7	15,9	16,7
0,39	0,60	0,39	0,60	0,37	0,60	0,37	0,60
0,53	0,48	0,53	0,48	0,53	0,48	0,53	0,48
6 904	7 817	6 904	7 817	6 720	7 722	6 720	7 722
11 631	12 698	11 631	12 698	11 447	12 603	11 447	12 603
9	15	9	15	8	14	8	14
12	19	12	19	11	18	11	18
4,9	4,6	4,9	4,6	5,0	4,7	5,0	4,7
Hydraulic		Hydraulic		Hydraulic		Hydraulic	

MOTOR	6.1	Drive motor output, 60 minute rating	kW
	6.2	Lifting motor, 15 minute rating	kW
	6.3	Battery DIN 43531/35/36 A, B, C, no	
	6.4	Battery voltage/capacity at 5 hr rate	V/Ah
	6.5	Battery weight, min./max.	kg

21,5		21,5		21,5		21,5	
23,6		23,6		23,6		23,6	
No		No		No		No	
48	1 200	80	675	48	1 200	80	675
1 632	2 177	1 632	2 177	1 632	2 177	1 632	2 177

OTHER	8.1	Drive control	
	8.2	Working pressure for attachments	bar
	8.3	Oil flow for attachments □	l/min
	8.4	Average noise level at operator's ear >>	dB (A)
	8.5	Towing coupling type	

AC Electronic		AC Electronic		AC Electronic		AC Electronic	
155		155		155		155	
43,5		43,5		43,5		43,5	
78		78		78		78	
Pin		Pin		Pin		Pin	

Specification data is based on VDI 2198

Equipment and weight:

Weights (line 2.1) are based on the following specifications:

Complete E3.50-4.00XL truck with 3 100 mm Vista 2-stage limited free lift mast, E4.50-5.50XL truck with 2 850 mm Vista 2-stage limited free lift mast, 1 070 mm hook type carriage with load backrest and 1 200 mm forks. 48 volt electrical components and overhead guard.

HYSTER		HYSTER		HYSTER		HYSTER		HYSTER		HYSTER		
E4.50XLS (48V)		E4.50XLS (80V)		E4.50XL (48V)		E4.50XL (80V)		E5.50XL		E5.50XL		1.1
Battery		Battery		Battery		Battery		Battery		Battery		1.2
Sit		Sit		Sit		Sit		Sit		Sit		1.3
4 500		4 500		4 500		4 500		5 500		5 500		1.4
600		600		600		600		600		600		1.5
462		462		462		462		462		462		1.6
1 574		1 574		1 739		1 739		1 739		1 739		1.8
8 125		8 125		8 255		8 255		9 125		9 125		1.9
11 065	1 510	11 065	1 510	11 245	1 410	11 245	1 410	12 340	1 685	12 340	1 685	2.1
3 215	4 910	3 215	4 910	3 695	4 560	3 695	4 560	3 700	5 425	3 700	5 425	2.2
3 215		3 215		3 695		3 695		3 700		3 700		2.3
V		V		V		V		V		V		3.1
22 x 12 x 16		22 x 12 x 16		22 x 12 x 16		22 x 12 x 16		22 x 12 x 16		22 x 12 x 16		3.2
18 x 7 x 12,125		18 x 7 x 12,125		18 x 7 x 12,125		18 x 7 x 12,125		18 x 7 x 12,125		18 x 7 x 12,125		3.3
2X	2	2X	2	2X	2	2X	2	2X	2	2X	2	3.5
1 015,2	1 115,3	1 015,2	1 115,3	1 015,2	1 115,3	1 015,2	1 115,3	1 015,2	1 115,3	1 015,2	1 115,3	3.6
1 005		1 005		1 005		1 005		1 005		1 005		3.7
5	6	5	6	5	6	5	6	5	6	5	6	4.1
2 134		2 134		2 134		2 134		2 134		2 134		4.2
100		100		100		100		100		100		4.3
2 790		2 790		2 790		2 790		2 790		2 790		4.4
3 701		3 701		3 701		3 701		3 701		3 701		4.5
2 390		2 390		2 390		2 390		2 390		2 390		4.7
1 241		1 241		1 241		1 241		1 241		1 241		4.8
331		331		331		331		331		331		4.12
3 748		3 748		3 808		3 808		3 913		3 913		4.19
2 548		2 548		2 608		2 608		2 713		2 713		4.20
1 320	1 420	1 320	1 420	1 320	1 420	1 320	1 420	1 320	1 420	1 320	1 420	4.21
60	150	1 200		60	150	1 200		60	150	1 200		4.22
4A		4A		4A		4A		4A		4A		4.23
1 067		1 067		1 067		1 067		1 067		1 067		4.24
118		118		118		118		118		118		4.31
130		130		130		130		130		130		4.32
3 873		3 873		3 976		3 976		4 067		4 067		4.33
4 073		4 073		4 176		4 176		4 267		4 267		4.34
2 226		2 226		2 314		2 314		2 405		2 405		4.35
671	671	671	671	741	741	741	741	741	741	741	741	4.36
15,1	16,7	15,1	16,7	15,1	16,7	15,1	16,7	14,5	16,7	14,5	16,7	5.1
0,29	0,45	0,29	0,45	0,29	0,45	0,29	0,45	0,27	0,45	0,27	0,45	5.2
0,45	0,37	0,45	0,37	0,45	0,37	0,45	0,37	0,45	0,37	0,45	0,37	5.3
6 363	7 542	6 363	7 542	6 308	7 487	6 308	7 487	5 967	7 324	5 967	7 324	5.5
11 090	12 424	11 090	12 424	11 035	12 369	11 035	12 369	10 694	12 206	10 694	12 206	5.6
7	12	7	12	6	11	6	11	5	10	5	10	5.7
9	16	9	16	9	15	9	15	7	13	7	13	5.8
5,2	4,8	5,2	4,8	5,2	4,8	5,2	4,8	5,4	4,9	5,4	4,9	5.9
Hydraulic		Hydraulic		Hydraulic		Hydraulic		Hydraulic		Hydraulic		5.10
21,5		21,5		21,5		21,5		21,5		21,5		6.1
23,6		23,6		23,6		23,6		23,6		23,6		6.2
No		No		No		No		No		No		6.3
48	1 200	80	675	48	1 350	80	750	48	1 350	80	750	6.4
1 632	2 177	1 632	2 177	1 919	2 517	1 919	2 517	1 919	2 517	1 919	2 517	6.5
AC Electronic		AC Electronic		AC Electronic		AC Electronic		AC Electronic		AC Electronic		8.1
155		155		155		155		155		155		8.2
43,5		43,5		43,5		43,5		43,5		43,5		8.3
78		78		78		78		78		78		8.4
Pin		Pin		Pin		Pin		Pin		Pin		8.5

Forks:

E3.50/E4.00XL: 50 x 130 x 1 000 to 1 800 mm long

E4.50XLS/E4.00XL/E5.50XL: 60 x 150 x 1 200 to 2 400 mm long

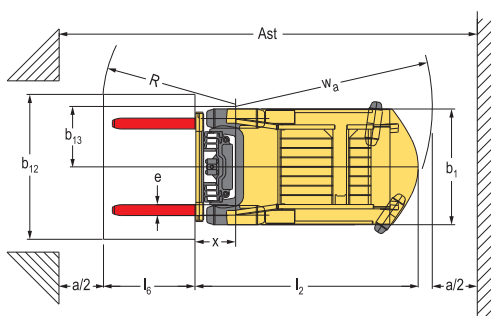
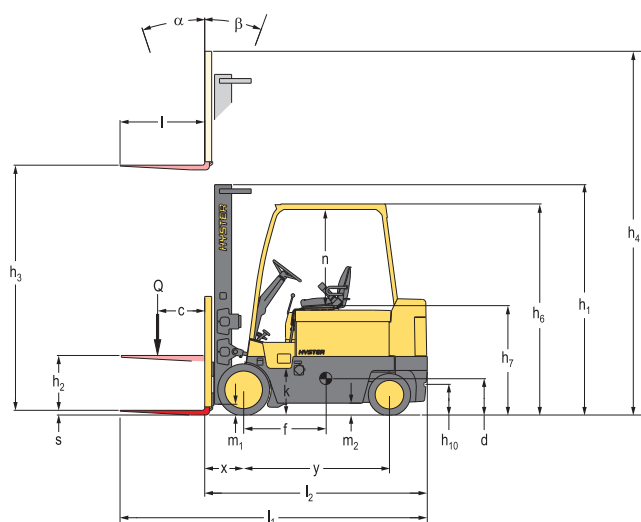
Fork spacing:

Fork carriage width: 1 070 mm 1 220 mm

Inside to inside, minimum: 30 mm 20 mm

Outside to outside, maximum: 900 mm 1 130 mm

Truck dimensions



= Centre of gravity of unladen truck

a = Minimum operating clearance

(V.D.I. standard = 200 mm BITA recommendation = 300 mm)

l_6 = Load length

*Standard tread shown-see line 3.6 for optional tread

NOTE:

Specifications are affected by the condition of the vehicle and how it is equipped, as well as the nature and condition of the operating area. If these specifications are critical, the proposed application should be discussed with your dealer.

- † Bottom of forks
- ‡ Without load backrest
- h_6 subject to +/- 5 mm tolerance
- FLS 1500 full-suspension seat
- Add 30 mm with load backrest
- ◆ Stacking aisle width (lines 4.33 & 4.34) is based on the V.D.I. standard calculation as shown on illustration. The British Industrial Truck association recommends the addition of 100 mm to the total clearance (dimension) for extra operating margin at the rear of the truck.
- † Gradeability figures (lines 5.7 & 5.8) are provided for comparison of tractive performance, but are not intended to endorse the operation of the vehicle on the stated inclines. Follow instructions in the operating manual regarding operation on inclines.
- ❖ Extended shift on
- Variable
- >> LPAZ, measured according to the test cycles and based on the weighting values contained in EN12053

Tables key:

- ★ Add 501 mm with load backrest extension
- ▼ Add 452 mm with load backrest extension
- Deduct 452 mm with load backrest extension
- ‡ Add 375 mm with load backrest extension
- Add 326 mm with load backrest extension
- * Add 321 mm with load backrest extension
- ▲ Deduct 326 mm with load backrest extension
- ▲ Deduct 321 mm with load backrest extension
- ◄ Wide tread required

Notice

Care must be exercised when handling elevated loads. When the carriage and/or load is elevated, truck stability is reduced. It is important that mast tilt in either direction be kept to a minimum when loads are elevated. Operators must be trained and adhere to the instructions contained in the Operating Manual.

Hyster products are subject to change without notice. Lift trucks illustrated may feature optional equipment.



This truck conforms to the current EU requirements.

Model

E3.50XL E4.00XL E4.50XLS E4.50XL E5.50XL

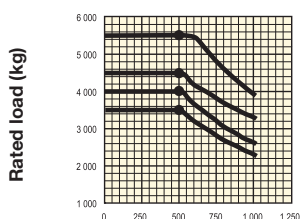
Load moment cm-kg

331 450 378 800 477 900 477 900 584 100

Dimensions (mm)

d	673,8	683,5	698,5	673,5	678,9
f	834,5	905,3	948,8	948,9	1 028,7
k	755	755	755	755	755
n	1 028,8 ■	1 028,8 ■	1 028,8 ■	1 028,8 ■	1 028,8 ■

Rated capacities



E5.50XL
E4.50XL/E4.50XLS
E4.00XL
E3.50XL

Load centre

Distance from front of forks to centre of gravity of load.

Rated load

Based on vertical masts up to 4 600 mm to top of forks.

Load centre (mm)

Mast and Capacity Information

Values shown are for standard equipment. When using non-standard equipment these values may change. Please contact your Hyster dealer for information.

Masts E3.50-4.00XL

	Maximum fork height mm (h ₃ +s)	Back tilt	Overall lowered height mm	Overall extended height mm	Free lift (top of forks) mm (h ₂ +s)
2-Stg limited free lift	3 100	6°	2 134	3 827 ★	150
	3 700	6°	2 434	4 427 ★	150
	4 300	6°	2 734	5 027 ★	150
	5 000	6°	3 184	5 727 ★	150
	5 600	6°	3 584	6 327 ★	150
	6 200	6°	3 964	6 927 ★	150
2-Stg full free lift	3 100	6°	2 134	3 876 ▼	1 244 ○
	3 700	6°	2 434	4 476 ▼	1 544 ○
3-Stg full free lift	4 415	6°	2 134	5 190 ▼	1 359 ○
	4 715	6°	2 234	5 490 ▼	1 459 ○
	4 950	6°	2 334	5 725 ▼	1 559 ○
	5 250	6°	2 434	6 025 ▼	1 659 ○
	5 550	6°	2 534	6 325 ▼	1 759 ○
	6 000	6°	2 734	6 775 ▼	1 959 ○

Masts E4.50XLS-5.50XL

	Maximum fork height mm (h ₃ +s)	Back tilt	Overall lowered height mm	Overall extended height mm	Free lift (top of forks) mm (h ₂ +s)
2-Stg limited free lift	2 850	6°	2 134	3 701 ▸	160
	3 450	6°	2 434	4 301 ▸	160
	4 050	6°	2 734	4 901 ▸	160
	4 750	6°	3 184	5 601 ▸	160
	5 350	6°	3 584	6 201 ▸	160
	5 950	6°	3 984	6 801 ▸	160
2-Stg full free lift	2 850	6°	2 134	3 750 ▣	1 234 ▲
	3 450	6°	2 434	4 350 ▣	1 534 ▲
3-Stg full free lift	4 147	6°	2 134	5 052 *	1 229 ▲
	4 700	6°	2 334	5 605 *	1 429 ▲
	5 000	6°	2 434	5 905 *	1 529 ▲
	5 300	6°	2 534	6 205 *	1 629 ▲
	5 750	6°	2 734	6 655 *	1 829 ▲

E3.50-5.50XL - Capacity chart in kg @ 500 mm load centre

Cushion tyres												
	Maximum fork height mm (h ₃ +s)	Without sideshift		With integral sideshift		Maximum fork height mm (h ₃ +s)	Without sideshift			With integral sideshift		
		E3.50XL	E4.00XL	E3.50XL	E4.00XL		E4.50XLS	E4.50XL	E5.50XL	E4.50XLS	E4.50XL	E5.50XL
3 700	3 500	4 000	3 480	3 960	3 450	4 500	4 500	5 500	4 500	4 500	5 500	
4 300	3 500	4 000	3 460	3 940	4 050	4 500	4 500	5 500	4 500	4 500	5 500	
5 000	3 380	3 880	3 320	3 800	4 750	4 500	4 500	5 500	4 500	4 500	5 500	
5 600	3 270	3 760	3 190	3 670	5 350	4 500	4 500	5 380	4 500	4 500	5 380	
6 200	3 150	3 640	3 050	3 520	5 950	4 500	4 500	5 250	4 500	4 470	5 250	
2-Stg full free lift	3 100	3 500	4 000	3 480	3 950	2 850	4 500	4 500	5 500	4 500	4 500	5 500
	3 700	3 500	4 000	3 460	3 930	3 450	4 500	4 500	5 500	4 500	4 500	5 500
3-Stg full free lift	4 415	3 500	4 000	3 400	3 870	4 147	4 500 ◀	4 500 ◀	5 500 ◀	4 500 ◀	4 500 ◀	5 500 ◀
	4 715	3 450	3 950	3 350	3 810	4 700	4 500 ◀	4 500 ◀	5 500 ◀	4 500 ◀	4 500 ◀	5 500 ◀
	4 950	3 410	3 910	3 310	3 770	5 000	4 500 ◀	4 500 ◀	5 440 ◀	4 500 ◀	4 500 ◀	5 440 ◀
	5 250	3 360	3 850	3 250	3 710	5 300	4 500 ◀	4 500 ◀	5 380 ◀	4 500 ◀	4 500 ◀	5 380 ◀
	5 550	3 300	3 790	3 190	3 640	5 750	4 500 ◀	4 500 ◀	5 290 ◀	4 440 ◀	4 480 ◀	5 290 ◀
	6 000	3 210	3 690	3 090	3 540							

E3.50-5.50XL - Capacity chart in kg @ 600 mm load centre

Cushion tyres												
	Maximum fork height mm (h ₃ +s)	Without sideshift		With integral sideshift		Maximum fork height mm (h ₃ +s)	Without sideshift			With integral sideshift		
		E3.50XL	E4.00XL	E3.50XL	E4.00XL		E4.50XLS	E4.50XL	E5.50XL	E4.50XLS	E4.50XL	E5.50XL
3 700	3 200	3 600	3 150	3 590	3 450	4 500	4 500	5 500	4 390	4 440	5 400	
4 300	3 200	3 600	3 140	3 580	4 050	4 500	4 500	5 500	4 380	4 420	5 390	
5 000	3 090	3 490	3 020	3 450	4 750	4 500	4 500	5 500	4 360	4 400	5 360	
5 600	2 970	3 390	2 900	3 330	5 350	4 390	4 390	5 380	4 230	4 270	5 230	
6 200	2 860	3 270	2 770	3 190	5 950	4 270	4 270	5 250	4 100	4 130	5 090	
2-Stg full free lift	3 100	3 200	3 600	3 160	3 590	2 850	4 500	4 500	5 500	4 370	4 440	5 410
	3 700	3 200	3 600	3 150	3 580	3 450	4 500	4 500	5 500	4 360	4 430	5 400
3-Stg full free lift	4 415	3 200	3 600	3 100	3 520	4 147	4 500 ◀	4 500 ◀	5 500 ◀	4 280 ◀	4 350 ◀	5 300 ◀
	4 715	3 150	3 550	3 050	3 470	4 700	4 500 ◀	4 500 ◀	5 500 ◀	4 260 ◀	4 330 ◀	5 290 ◀
	4 950	3 120	3 510	3 010	3 430	5 000	4 440 ◀	4 440 ◀	5 440 ◀	4 210 ◀	4 270 ◀	5 230 ◀
	5 250	3 070	3 470	2 960	3 370	5 300	4 390 ◀	4 390 ◀	5 380 ◀	4 200 ◀	4 220 ◀	5 170 ◀
	5 550	3 020	3 410	2 900	3 320	5 750	4 280 ◀	4 300 ◀	5 290 ◀	4 050 ◀	4 120 ◀	5 060 ◀
	6 000	2 940	3 330	2 810	3 220							

The rated capacities shown are for masts in a vertical position on trucks equipped with standard or sideshift carriage and nominal length forks. Masts above the maximum fork heights shown in the mast table are classified as high lift and, depending on the tyre/tread configuration may require reduced capacity, restricted back tilt or wide tread.

Product Features

Dependability

- 100% brushless AC motors
- Autoregenerative braking
- One piece frame, designed using FEA* technology, and robust steer axle design for proven durability
- AC motor technology on traction and hoist allows the truck to work more reliably and for longer shifts, reducing downtime significantly.

Low Cost of Ownership

- Energy efficient and available with 48 V or 80 V battery configuration
- The right balance of performance, manoeuvrability and battery shift life, matched to the application, provides productivity and throughput at less cost
- Choice of extended shift life or extra AC performance settings to suit each application
- Durable, quality components mean long term reliability and lower maintenance costs. Virtually maintenance free components mean that a full service check is required only after 1 000 hours**
- Pin codes (optional) can be allocated to individual drivers allowing them access only to the performance level suited to their ability and experience, reducing truck damage.

Productivity

- AC technology on both traction and hydraulics for reliable, positive performance
- Choice of extended shift life or extra AC performance settings to suit the demands of each application
- Compact dimensions and extraordinary manoeuvrability offer tight aisle widths for increased productivity in demanding warehouse operations.

Ergonomics

- Standard, fully adjustable semi-suspension seat with integral armrest. With low effort, soft touch, manual hydraulic levers affords the driver excellent comfort and controllability
- Optional e-hydraulic seat with TouchPoint™ mini-levers gives the operator precise control
- Convenient step and hand grip for ease of access
- Demand Sense Steering for exceptional, easy controllability
- Monotrol pedal (optional) for easy forward/reverse direction control
- Clear view dash display with LCD indicators and a choice of 4 pre-programmed performance modes to suit the driver or the application
- Battery discharge indicator with lift interrupt
- Full range of Vista masts. 2-stage limited free lift, 2- or 3-stage full free lift with hydraulic mast cushioning for dependable handling of fragile loads. Offering excellent visibility with smooth, low noise operation.

Serviceability

- Fast delivery of diagnostic information allows precise troubleshooting, easy maintenance planning and lower costs
- Access to diagnostic information via the display or plug-in point on the steering column allows engineers to monitor truck condition and plan maintenance requirements
- Easily removable 2 piece floor plate provides easy access to power contactor, fuses and relays.

*Finite element analysis

**Subject to application survey

**Strong Partners, Tough Trucks,
for Demanding Operations Everywhere.**

Hyster supplies a complete product range, including Warehouse trucks, IC and Electric Counterbalanced trucks, Container Handlers and Reach Stackers.

Hyster is committed to being much more than a lift truck supplier. Our aim is to offer a complete partnership capable of responding to the full spectrum of materials handling issues:

Whether you need professional consultancy on your fleet management, fully qualified service support, or reliable parts supply, you can depend on Hyster. Our network of highly trained dealers provides expert, responsive local support.

They can offer cost-effective finance packages and introduce effectively managed maintenance programmes to ensure that you get the best possible value. Our business is dealing with your materials handling needs so you can focus on the success of your business today and in the future.



Hyster Europe, Flagship House, Reading Road North, Fleet, Hants GU51 4WD, England.

Tel: +44 (0) 1252 810261

Fax: +44 (0) 1252 770702

Email: infoeurope@hyster.com

Website: www.hyster.com/europe

A division of NACCO Materials Handling Limited.

