



BANYITONG SCIENCE & TECHNOLOGY DEVELOPING CO.,LTD.

Add: Crossing of Daihe Road and Cailun Road,Hefei,China  
Tel: +86 551 6425 5078  
Fax: +86 551 6211 3877  
E-mail: sales@mimachina.com  
Website: www.mimaforklift.com



Website

## ELECTRIC REACH TRUCK (SEATED) MFZ16/20/25/30



BANYITONG SCIENCE & TECHNOLOGY DEVELOPING CO.,LTD.

[www.mimaforklift.com](http://www.mimaforklift.com)



## ELECTRIC REACH TRUCK (SEATED)

MFZ Series is our new reach truck, with 1600kg-3000kg load capacity whose mast can move forward and backward. This truck has compact body and small turning radius, which is suitable for medium storage density, high turn-over rate, very narrow aisle stacking and single/double sided pallet with forged forks.



## REDUCING COST BY USING REACH TRUCK

When you use MFZ seated reach truck, you will enjoy many advantages for technology and ergonomics, including innovative pre-selection height technology, it can improve storage efficiency and accuracy. In the long run, you can save lots of operating costs.



Flexible EPS steering



3-pivot design, with better stacking stability



Excellent mast loading performance and wide vision mast



New LED display

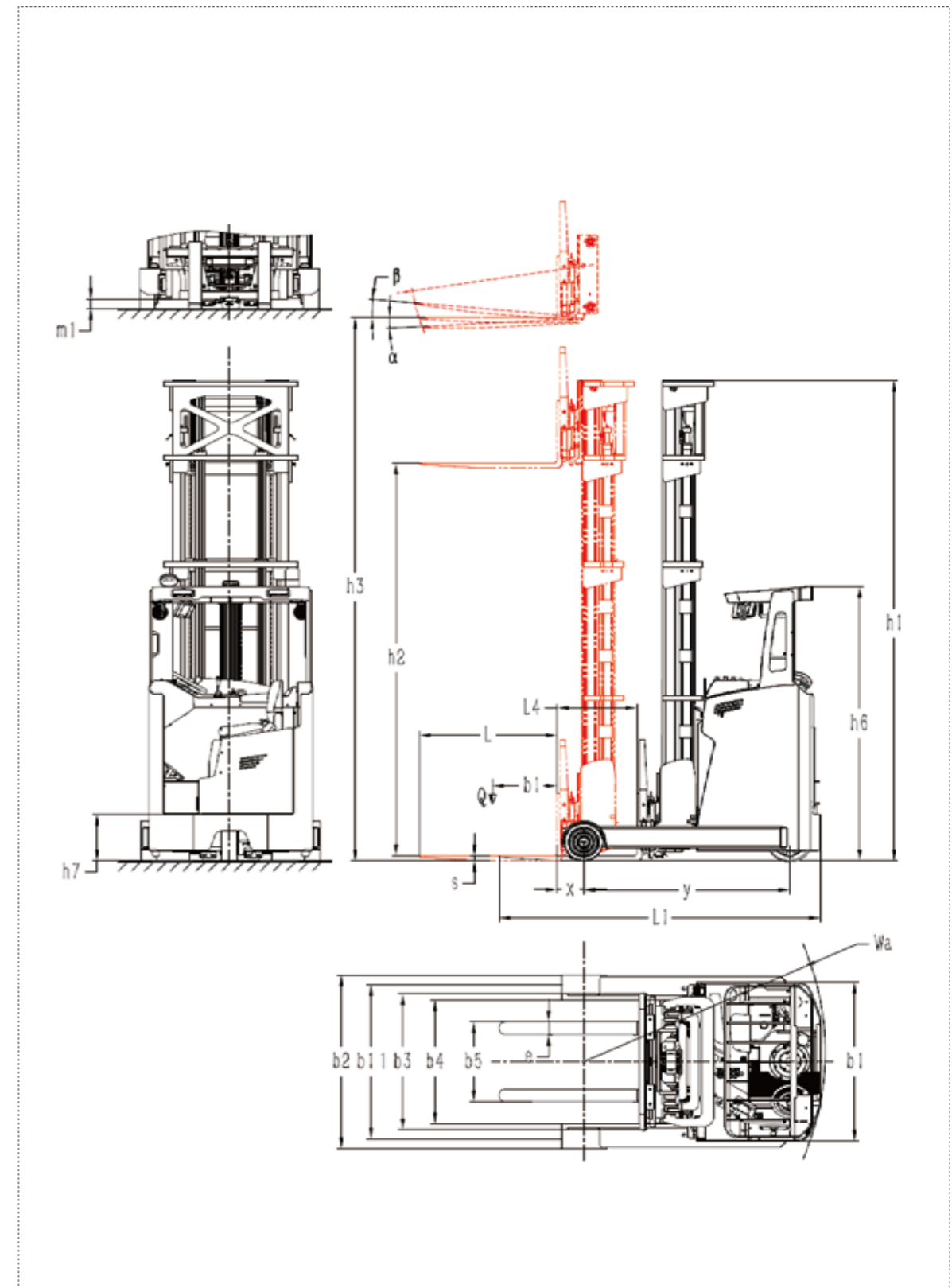


Ergonomic suspension seat

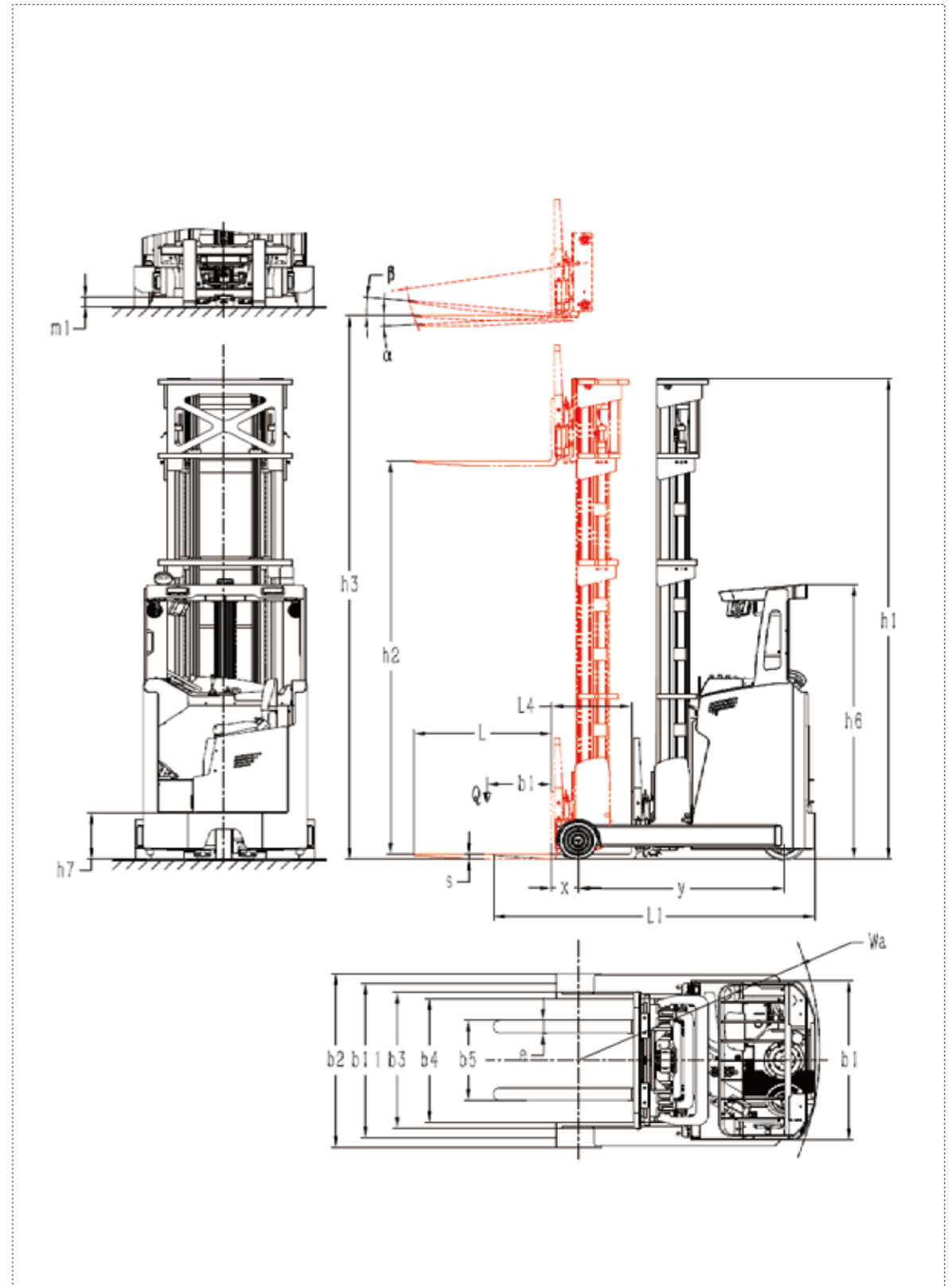


Pre selection height system (optional)

Standard			
1.1	Brand	MIMA	MIMA
1.2	Model	MFZ16 (Standard Mast)	MFZ16 (High-Performance Mast)
1.3	Power type	Battery	Battery
1.4	Operation type	Seated	Seated
1.5	Rated capacity	Q ( kg )	1600
1.6	Load center	C(mm)	500
1.7	Front overhang	x (mm)	205
1.8	Wheelbase	y (mm)	1425
Weight			
2.1	Service weight(incl. battery)	kg	3710
Wheel			
3.1	Wheel type	PU	PU
3.2	Load wheel	mm	φ300×120
3.3	Drive wheel	mm	φ343×108
3.4	Auxiliary wheel	mm	/
3.5	Number of wheels, front/rear(x=drive wheel)		2 / 1 X
3.6	Wheel tread, drive side	b10(mm)	/
3.7	Wheel tread, load side	b11(mm)	1170
Size			
4.1	Fork tilting	α/β(°)	3/5
4.2	Mast closed height	h1(mm)	3322
4.3	Free lift height	h2(mm)	2712
4.4	Lift height	h3(mm)	7500
4.5	Mast extended height with load-backrest	h4(mm)	8430
4.6	Overhead guard height	h6(mm)	2200
4.7	Stand board height	h7(mm)	376
4.8	Overall length	l1(mm)	2340
4.9	Overall width	b1/b2(mm)	1270/1290
4.10	Fork size	l/e/s(mm)	1070×100×35
4.11	Fork carriage width	b3(mm)	1090
4.12	Fork outside width	b5(mm)	222-750
4.13	Inner leg width	b4(mm)	890
4.14	Reach stroke	l4(mm)	583
4.15	Mast ground clearance	m1(mm)	75
4.16	Aisle width for pallet 1000*1200mm(C=500mm)	Ast(mm)	2764
4.17	Aisle width for pallet 800*1200mm(C=600mm)	Ast(mm)	2814
4.18	Turning radius	Wa(mm)	1700
Function			
5.1	Driving speed(load/unload)	km/h	14/14
5.2	Lifting speed(load/unload)	mm/s	280/380
5.3	Lowering speed(load/unload)	mm/s	380/340
5.4	Max. gradeability(load/unload)(S2-5min)	%(tanθ)	≤10
5.5	Brake type	Mechanical	Mechanical
Drive			
6.1	Driving motor(S2-60min)	kw	5.5
6.2	Lifting motor(S3-15%)	kw	8.6
6.3	Battery voltage/capacity	V/Ah	48/420
6.4	Option: lithium battery voltage/capacity	V/Ah	48/300
6.5	Battery weight	kg	715
6.6	Steering system	EPS	EPS
Other			
7.1	Battery replacement type	Front pull	Front pull



Standard			
1.1	Brand	MiMA	MiMA
1.2	Model	MFZ20 (Standard Mast)	MFZ20 (High-Performance Mast)
1.3	Power type	Battery	Battery
1.4	Operation type	Seated	Seated
1.5	Rated capacity	Q(kg)	2000
1.6	Load center	C(mm)	500
1.7	Front overhang	x(mm)	205
1.8	Wheelbase	y(mm)	1525
Weight			
2.1	Service weight(incl. battery)	kg	4000
Wheel			
3.1	Wheel type	PU	PU
3.2	Load wheel	mm	φ300×120
3.3	Drive wheel	mm	φ350×120
3.4	Auxiliary wheel	mm	/
3.5	Number of wheels, front/rear(x=drive wheel)		2/ 1X
3.6	Wheel tread, drive side	b10(mm)	/
3.7	Wheel tread, load side	b11(mm)	1170
Size			
4.1	Fork tilting	α/β(°)	3/5
4.2	Mast closed height	h1(mm)	3322
4.3	Free lift height	h2(mm)	2712
4.4	Lift height	h3(mm)	7500
4.5	Mast extended height with load-backrest	h4(mm)	8430
4.6	Overhead guard height	h6(mm)	2200
4.7	Stand board height	h7(mm)	376
4.8	Overall length	l1(mm)	2421
4.9	Overall width	b1/b2(mm)	1270/1290
4.10	Fork size	l/e/s(mm)	1070X122X40
4.11	Fork carriage width	b3(mm)	1090
4.12	Fork outside width	b5(mm)	266-772
4.13	Inner leg width	b4(mm)	890
4.14	Reach stroke	l4(mm)	617
4.15	Mast ground clearance	m1(mm)	75
4.16	Aisle width for pallet 1000*1200mm(C=500mm)	Ast(mm)	2838
4.17	Aisle width for pallet 800*1200mm(C=600mm)	Ast(mm)	2882
4.18	Turning radius	Wa(mm)	1798
Function			
5.1	Driving speed(load/unload)	km/h	14/14
5.2	Lifting speed(load/unload)	mm/s	340/440
5.3	Lowering speed(load/unload)	mm/s	420/360
5.4	Max. gradeability(load/unload)(S2-5min)	%(tanθ)	≤10
5.5	Brake type		Mechanical
Drive			
6.1	Driving motor(S2-60min)	kw	6.5
6.2	Lifting motor(S3-15%)	kw	12.8
6.3	Battery voltage/capacity	V/Ah	48/560
6.4	Option: lithium battery voltage/capacity	V/Ah	48/450
6.5	Battery weight	kg	920
6.6	Steering system		EPS
Other			
7.1	Battery replacement type		Front pull



Triplex full free mast		MFZ16 (Standard Mast)								
Model	MFZ	16-46	16-48	16-54	16-57	16-63	16-67	16-70	16-71	16-75
Lift height	h3(mm)	4600	4800	5400	5700	6300	6750	7000	7150	7500
Mast extended height with load-backrest	h4(mm)	5530	5730	6330	6630	7230	7680	7930	8080	8430
Mast closed height	h1(mm)	2254	2320	2520	2620	2820	3070	3154	3204	3322
Free lift height	h2(mm) <sup>Note[1]</sup>	1644	1710	1910	2010	2210	2460	2544	2594	2712

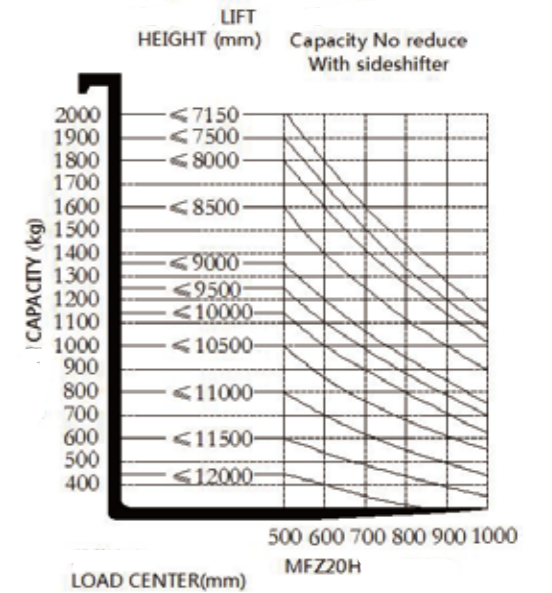
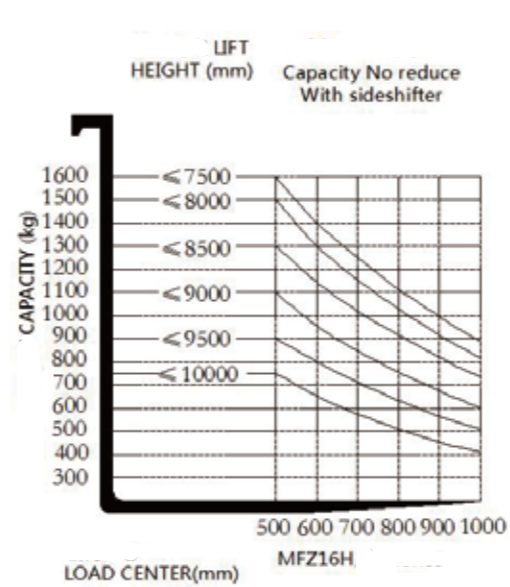
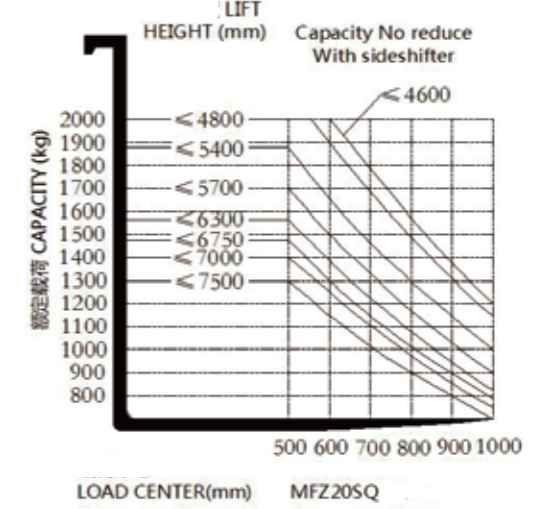
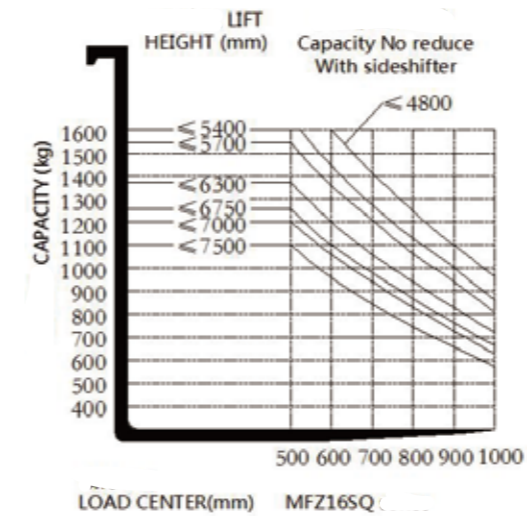
Triplex full free mast		MFZ20 (Standard Mast)								
Model	MFZ	20-46	20-48	20-54	20-57	20-63	20-67	20-70	20-71	20-75
Lift height	h3(mm)	4600	4800	5400	5700	6300	6750	7000	7150	7500
Mast extended height with load-backrest	h4(mm)	5530	5730	6330	6630	7230	7680	7930	8080	8430
Mast closed height	h1(mm)	2254	2320	2520	2620	2820	3070	3154	3204	3322
Free lift height	h2(mm) <sup>Note[1]</sup>	1644	1710	1910	2010	2210	2460	2544	2594	2712

Triplex full free mast		MFZ16/20 (High-Performance Mast)								
Model	MFZ	16-63	16-67	16-70	16-75	16-80	16-85	16-90	16-95	16-100
Lift height	h3(mm)	6300	6750	7000	7500	8000	8500	9000	9500	10000
Mast extended height with load-backrest	h4(mm)	7230	7680	7930	8430	8930	9430	9930	10430	10930
Mast closed height	h1(mm)	2820	3070	3154	3322	3488	3654	3820	3988	4154
Free lift height	h2(mm) <sup>Note[1]</sup>	2210	2460	2544	2712	2878	3044	3210	3378	3544

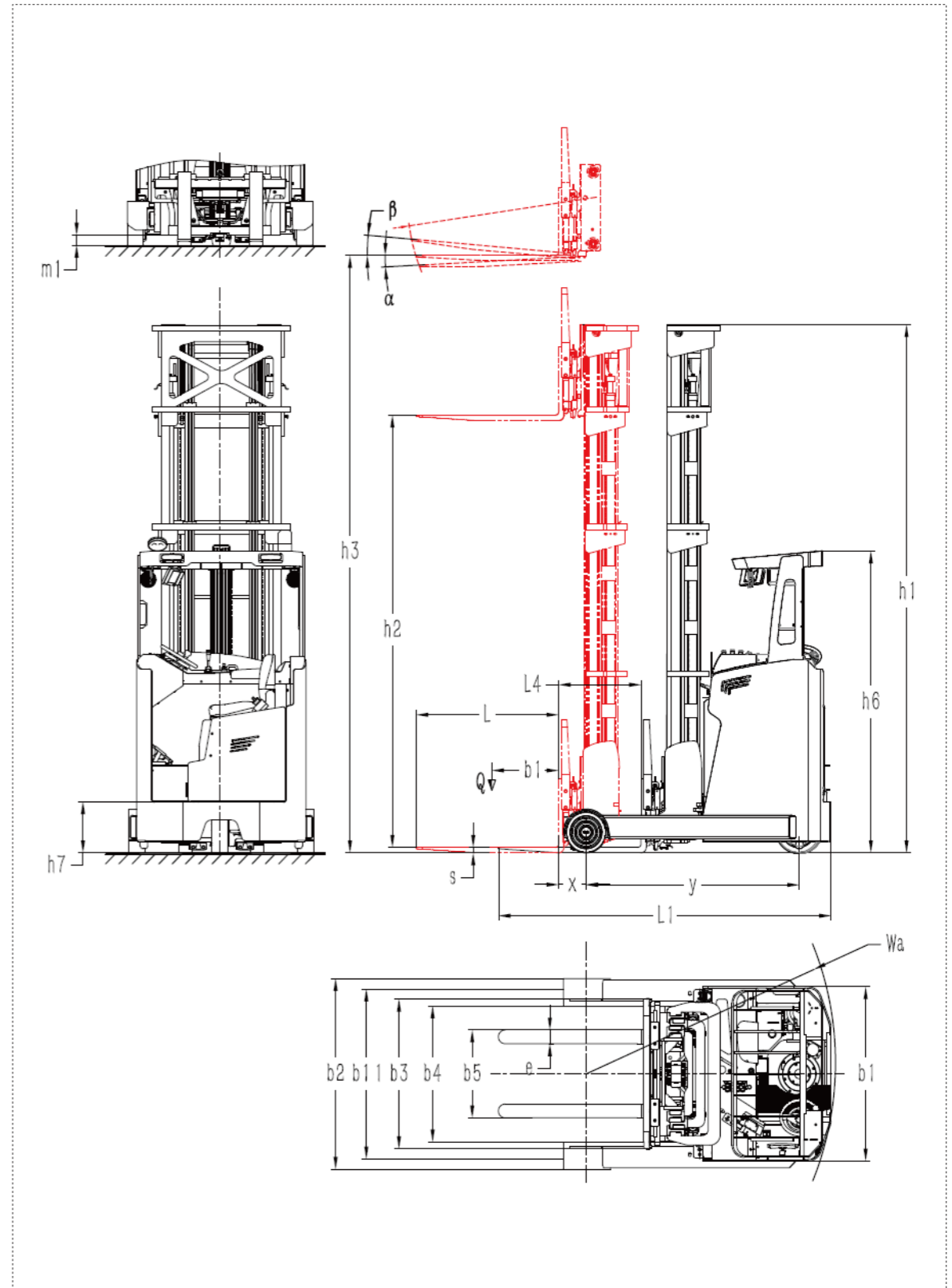
Triplex full free mast		MFZ20 (High-Performance Mast)			
Model	MFZ	20-105	20-110	20-115	20-120
Lift height	h3(mm)	10500	11000	11500	12000
Mast extended height with load-backrest	h4(mm)	11430	11930	12430	12930
Mast closed height	h1(mm)	4320	4488	4654	4820
Free lift height	h2(mm) <sup>Note[1]</sup>	3710	3878	4044	4210

Note[1]:The free lift height does not include load-backrest and needs to be 270mm lower if with standard backrest.

[2]The mast specifications of MFZ16 and MFZ20 are the same within 10 meters lift height



Standard		
1.1	Brand	MIMA
1.2	Model	MFZ25
1.3	Power type	Battery
1.4	Operation type	Seated
1.5	Rated capacity	Q(kg) 2500
1.6	Load center	C(mm) 600
1.7	Front overhang	x(mm) 221
1.8	Wheelbase	y(mm) 1700
Weight		
2.1	Service weight(incl. battery)	kg 5038
Wheel		
3.1	Wheel type	PU
3.2	Load wheel	mm $\Phi 343 \times 130$
3.3	Drive wheel	mm $\Phi 400 \times 160$
3.4	Auxiliary wheel	mm /
3.5	Number of wheels, front/rear(x=drive wheel)	2/ 1X
3.6	Wheel tread, drive side	b10(mm) /
3.7	Wheel tread, load side	b11(mm) 1270
Size		
4.1	Fork tilting	$\alpha/\beta(^{\circ})$ 2/4
4.2	Mast closed height	h1(mm) 3829
4.3	Free lift height	h2(mm) 3027
4.4	Lift height	h3(mm) 8500
4.5	Mast extended height with load-backrest	h4(mm) 9562
4.6	Overhead guard height	h6(mm) 2245
4.7	Stand board height	h7(mm) 392
4.8	Overall length	l1(mm) 2532
4.9	Overall width	b1/b2(mm) 1270/1400
4.10	Fork size	l/e/s(mm) 1070 $\times$ 125 $\times$ 45
4.11	Fork carriage width	b3(mm) 1148
4.12	Fork outside width	b5(mm) 250-750
4.13	Inner leg width	b4(mm) 977
4.14	Reach stroke	l4(mm) 715
4.15	Mast ground clearance	m1(mm) 75
4.16	Aisle width for pallet 1000*1200mm(C=500mm)	Ast(mm) 2973
4.17	Aisle width for pallet 800*1200mm(C=600mm)	Ast(mm) 3000
4.18	Turning radius	Wa(mm) 1987
Function		
5.1	Driving speed(load/unload)	km/h 8.5/10
5.2	Lifting speed(load/unload)	mm/s 210/340
5.3	Lowering speed(load/unload)	mm/s 300/250
5.4	Max. gradeability(load/unload)(S2-5min)	%( $\tan\theta$ ) $\leq 10$
5.5	Brake type	Electromagnetic
Drive		
6.1	Driving motor(S2-60min)	kw 8
6.2	Lifting motor(S3-15%)	kw 15
6.3	Battery voltage/capacity	V/Ah 48/560
6.4	Battery weight	kg 920
6.5	Steering system	EPS
Other		
7.1	Battery replacement type	Front pull



Triplex full free mast		MFZ25								
Model	MFZ	25-45	25-50	25-55	25-60	25-65	25-70	25-72	25-75	25-80
Lift height	h3(mm)	4500	5000	5500	6000	6500	7000	7200	7500	8000
Mast extended height with load-backrest	h4(mm)	5562	6062	6562	7062	7562	8062	8262	8562	9062
Mast closed height	h1(mm)	2395	2562	2728	2895	3062	3228	3295	3395	3662
Free lift height	h2(mm) <sup>Note[1]</sup>	1595	1761	1929	2095	2261	2429	2495	2595	2861

Triplex full free mast		MFZ25	
Model	MFZ	25-85	
Lift height	h3(mm)	8500	
Mast extended height with load-backrest	h4(mm)	9562	
Mast closed height	h1(mm)	3829	
Free lift height	h2(mm) <sup>Note[1]</sup>	3027	

Note[1]:The free lift height does not include load-backrest and needs to be 215mm lower if with standard backrest.

