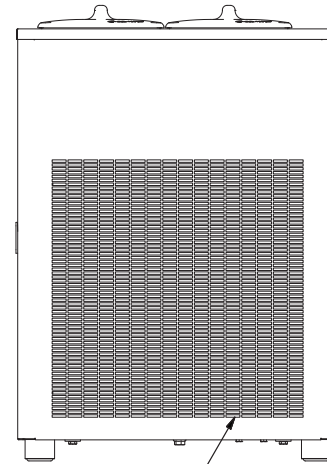
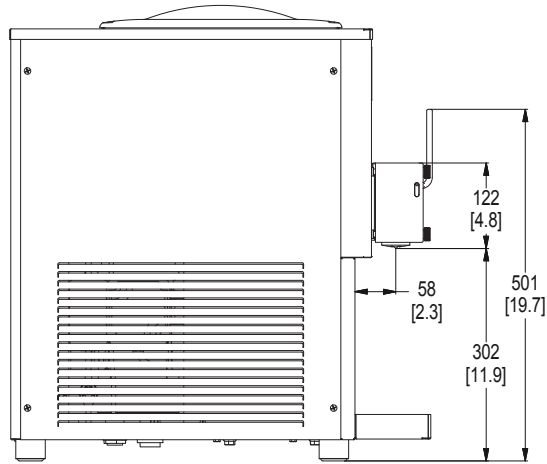
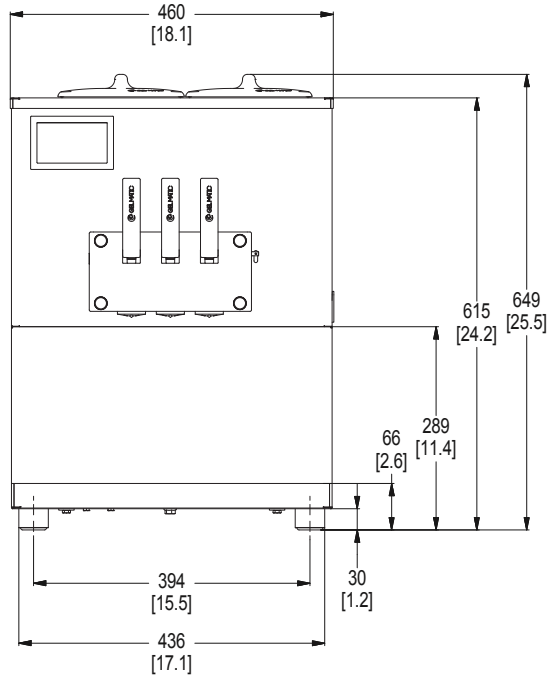
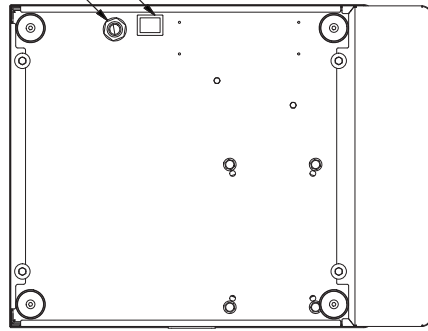


**MODEL: SC 250**  
**CONDENSATION: AIR**

GENERAL SWITCH  
 ELECTRICAL HOLE



STANDARD AIR  
 OUTPUT

